

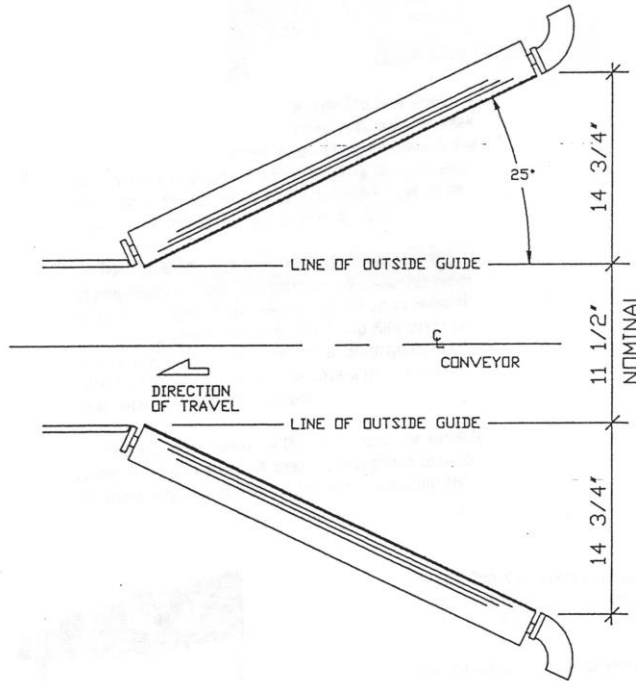


AN O'HANRAHAN COLEMAN COMPANY

# CONVEYORS & CORRELATORS



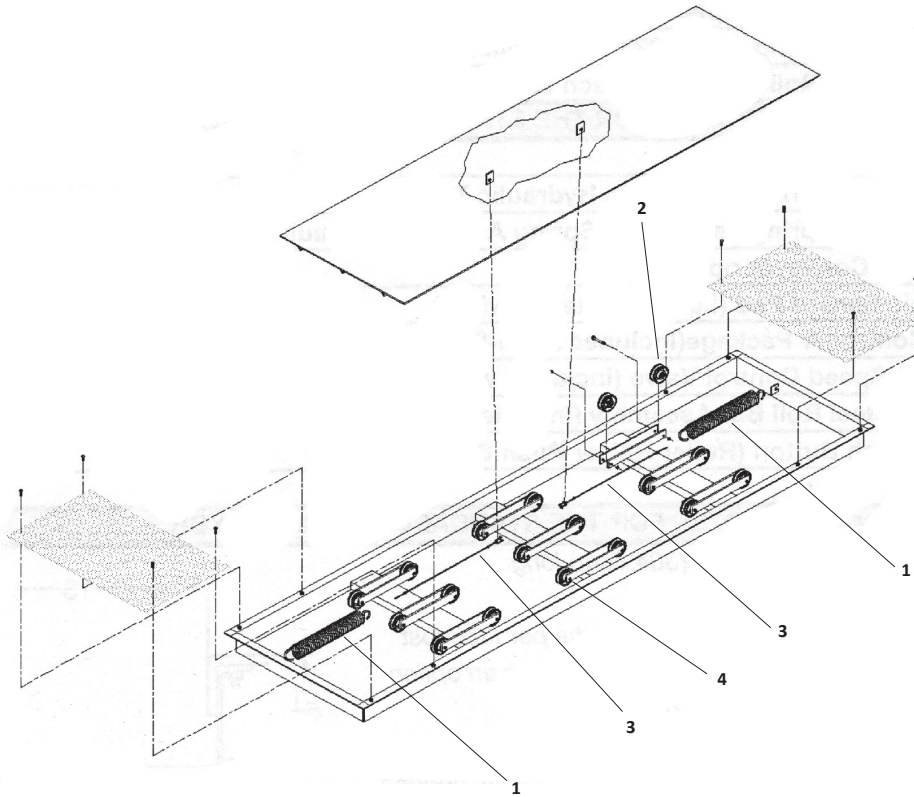
COLEMAN HANNA CARWASH SYSTEMS- 5842 W. 34<sup>th</sup> STREET- HOUSTON-TEXAS- 77092 TOLL FREE-(800) 999- 9878  
INFO@COLEMANHANNA.COM WWW.COLEMANHANNA.COM



PART NO.	DESCRIPTION
804169	C3/C4 Roll-Bar Assembly Stainless Steel
804167	Roll-Bar Tube 2-3/8" O.D.
804163	Roll-Bar Bearing
804174	Shaft
804452	Entrance Left Roll Bar Bracket
804453	Entrance Right Roll Bar Bracket

CORRELATOR

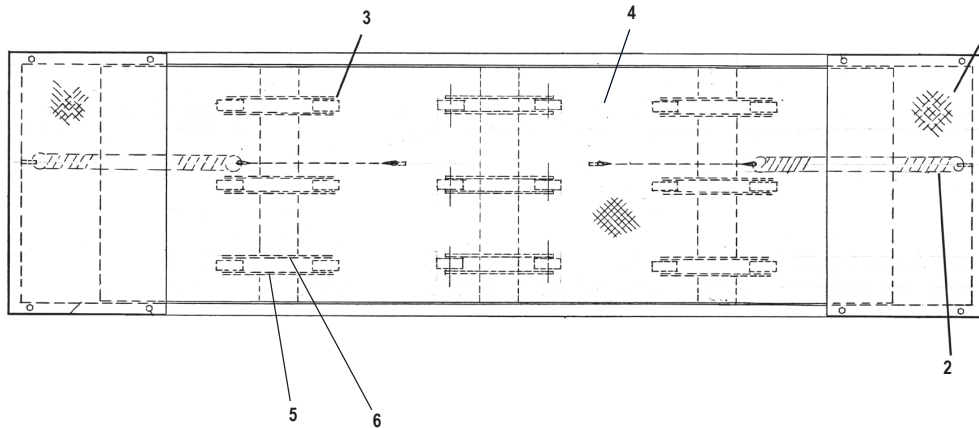
CONVEYORS



ITEM	PART NO.	DESCRIPTION
1	255604	Spring
2	161794	Castor Wheel
3	265967	Cable
4	340737	Shoulder Bolt

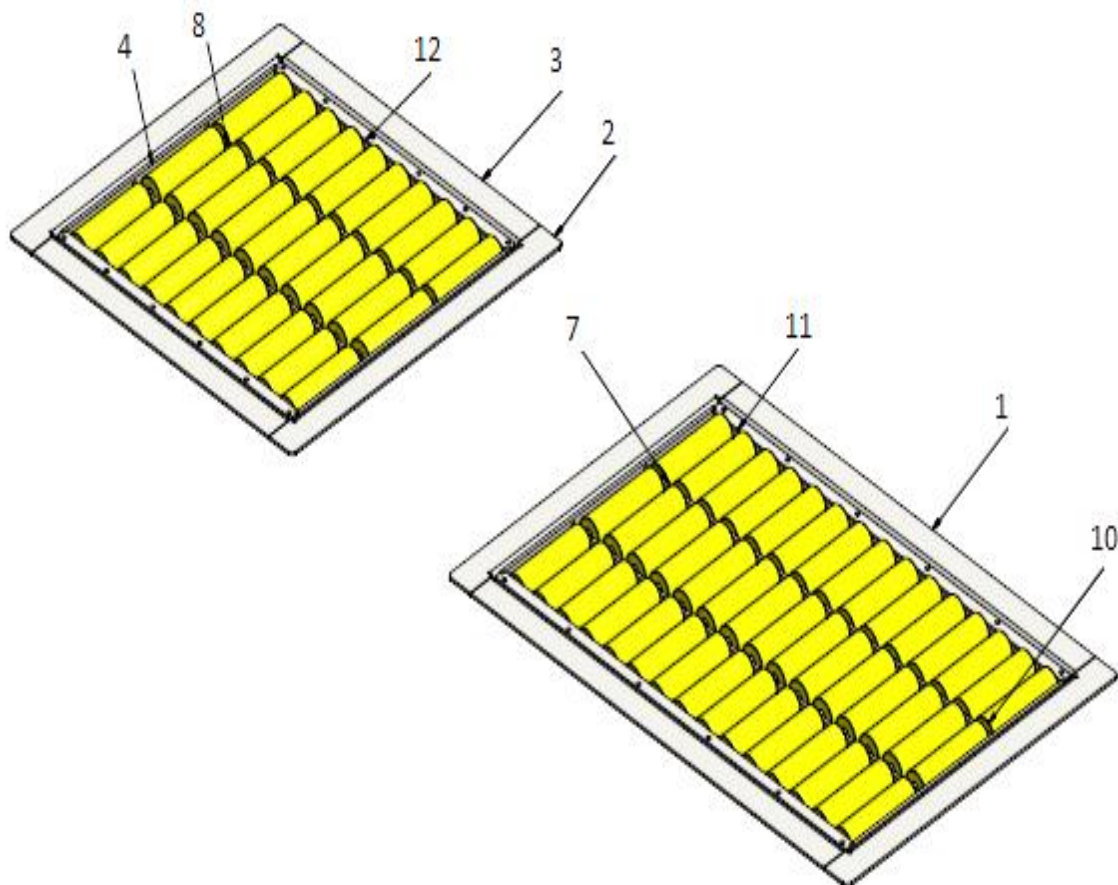


C-3 Correlator



ITEM	PART NO.	DESCRIPTION
<b>C-3 AND C-4 CORRELATORS</b>		
1	279117	C-3 Cover Plate End Correlator
	279158	C-4 Cover Plate End Correlator
2	265968	Correlator Spring Assembly with Cable
	255604	Correlator Spring
3	161794	Correlator Caster with Bushing
	340737	1/2 x 2-1/2 Shoulder Bolt
	040519	3/8" National Coarse ESNA Nut
4	279109	C-3 Top PL 36" x 120"
5	801481	Bracket Caster Punched Hole
6	801482	Bracket Caster Threaded

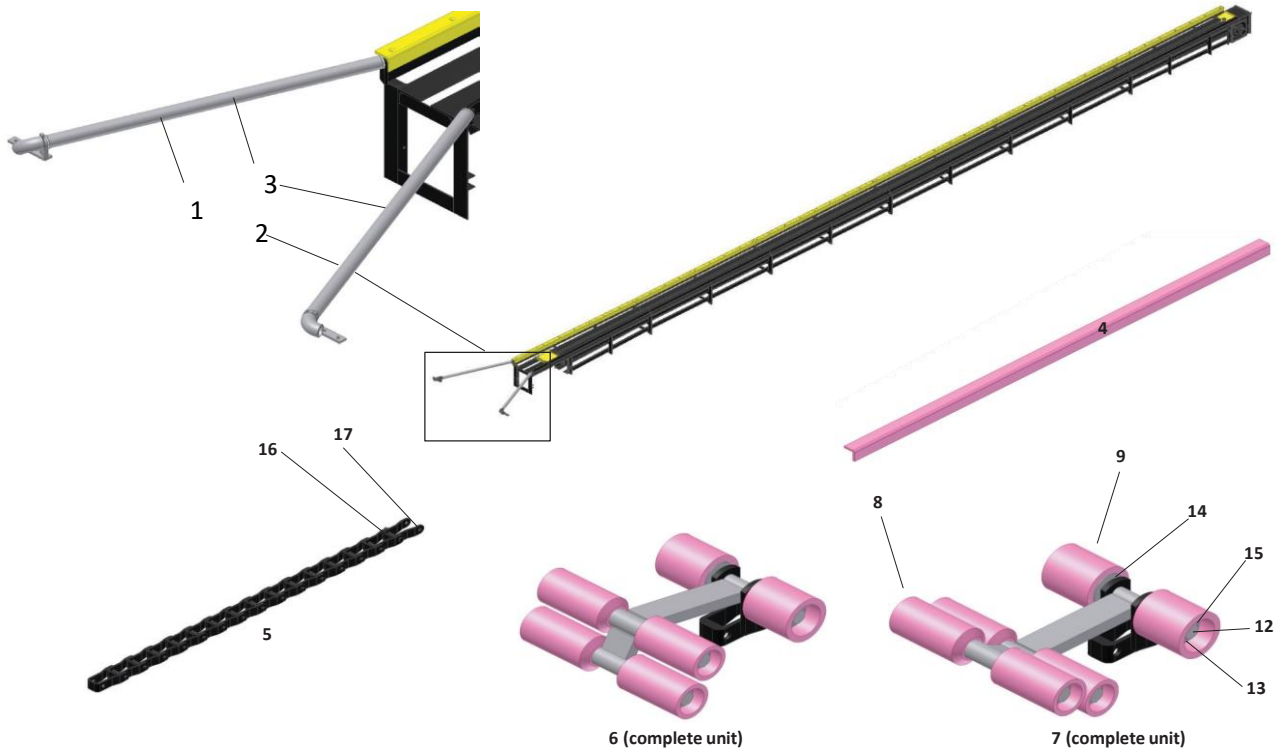
## HANNA ROLLER CORRELATOR



12	H815730	2	CORRELATOR ROD END CLAMPING PLATE	2
11	H815729	2	CORRELATOR- ROD END CLAMPING PLATE	2
10	H815720	1	CORRELATOR ROLLER	75
9	H815732	0	CORRELATOR SHAFT	25
8	H815722	2	CORRELATOR - ROLLER SUPPORT PLATE D	2
7	H815727	2	CORRELATOR - ROLLER SUPPORT PLATE P	2
6	H815728	2	CORRELATOR - ROD END SUPPORT BRACKET	2
5	H815726	2	CORRELATOR ROD END SUPPORT BRACKET	2
4	H815731	0	CORRELATOR - SIDE GAP FILLER	4
3	H815724	2	CORRELATOR T/B SIDE (30.5)	2
2	H815723	1	CORRELATOR -L/R SIDE	4
1	H815725	2	CORRELATOR T/B SIDE (45.5)	2
ITE	PART NO.	REV	DESCRIPTION	QTY

CONVEYOR AND ROLL BARS

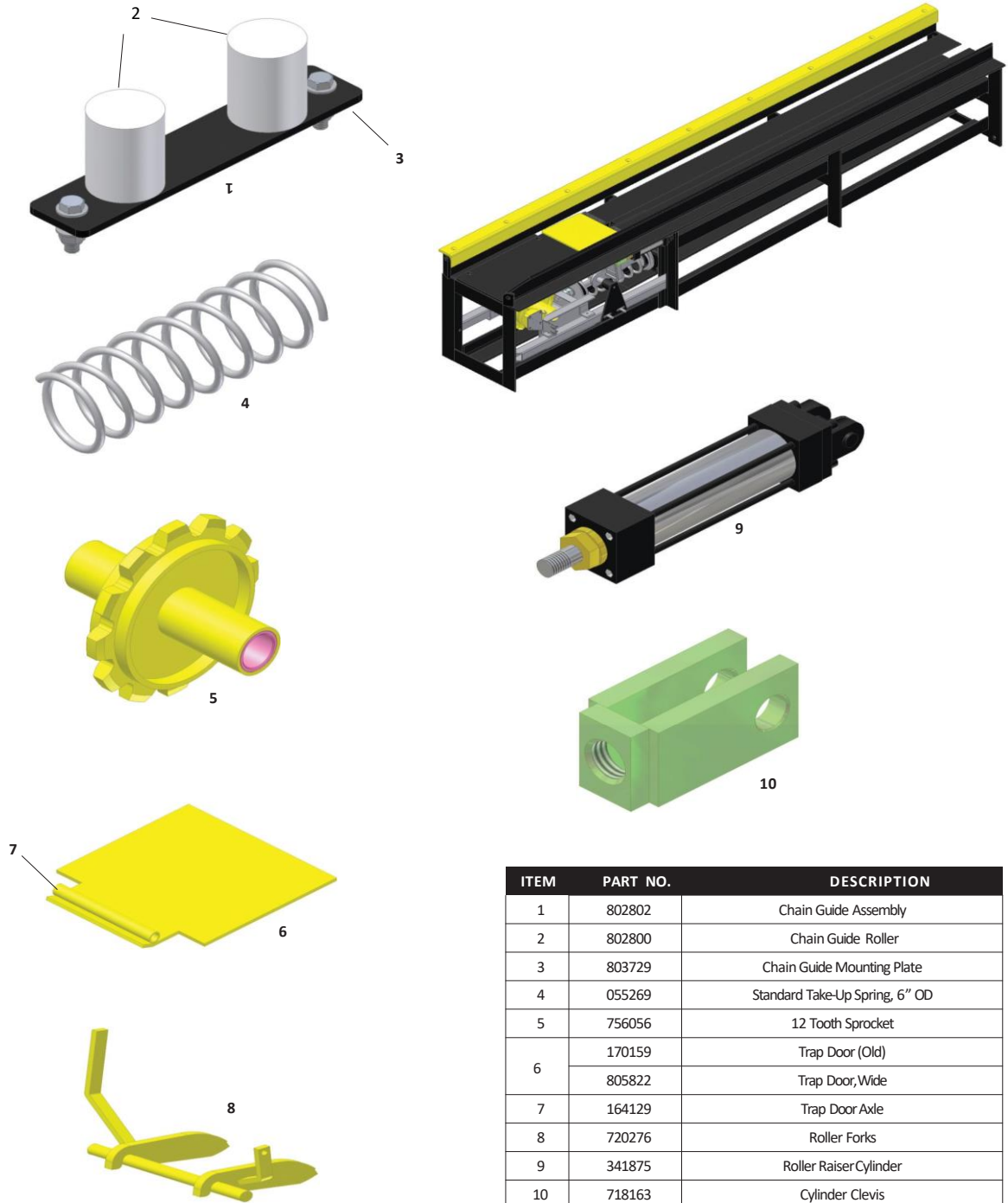
CONVEYORS



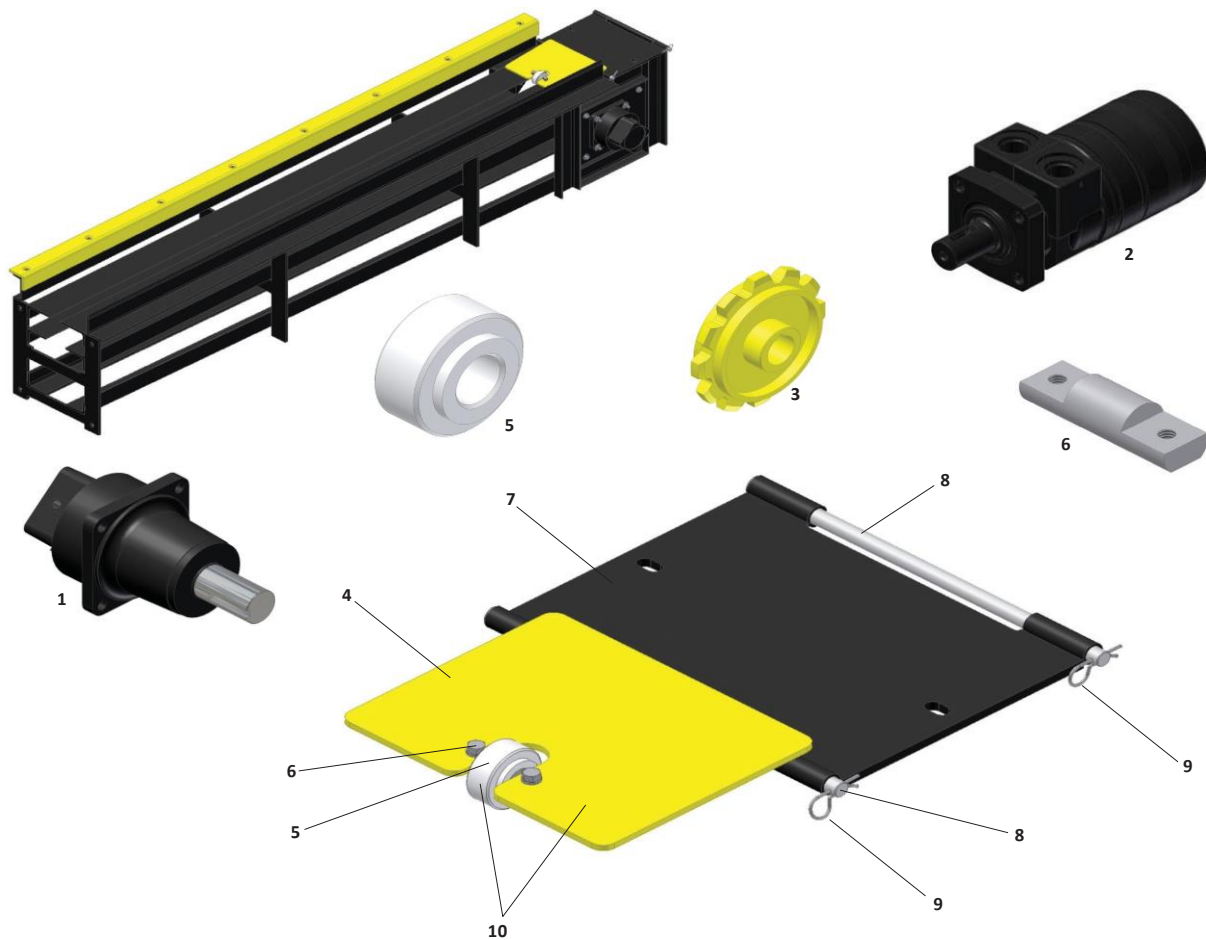
ITEM	PART NO.	DESCRIPTION
1	804452	Roller Bar Bracket - Left
2	804453	Roller Bar Bracket - Right
3	804167	Roll Bar Tube
4	708955	Hannatron - 10 foot
5	368235	Chain - 16 Pitch - Riveted
	368236	Chain - 18 Pitch - Cottered
6	750372	Low Profile Pusher
7	717104	High Profile Pusher
8	716985	2 X 4 Roller
9	265827	2-1/2 X 2-3/4 Roller
10	804163	Roll Bar Bushing
11	804174	Roll Bar Shaft
12		Washer
13		Washer
14		Washer
15		Bolt
16	368237	Chain Pin
17	020420	Cotter Pin

CONVEYOR TAKE-UP

CONVEYORS



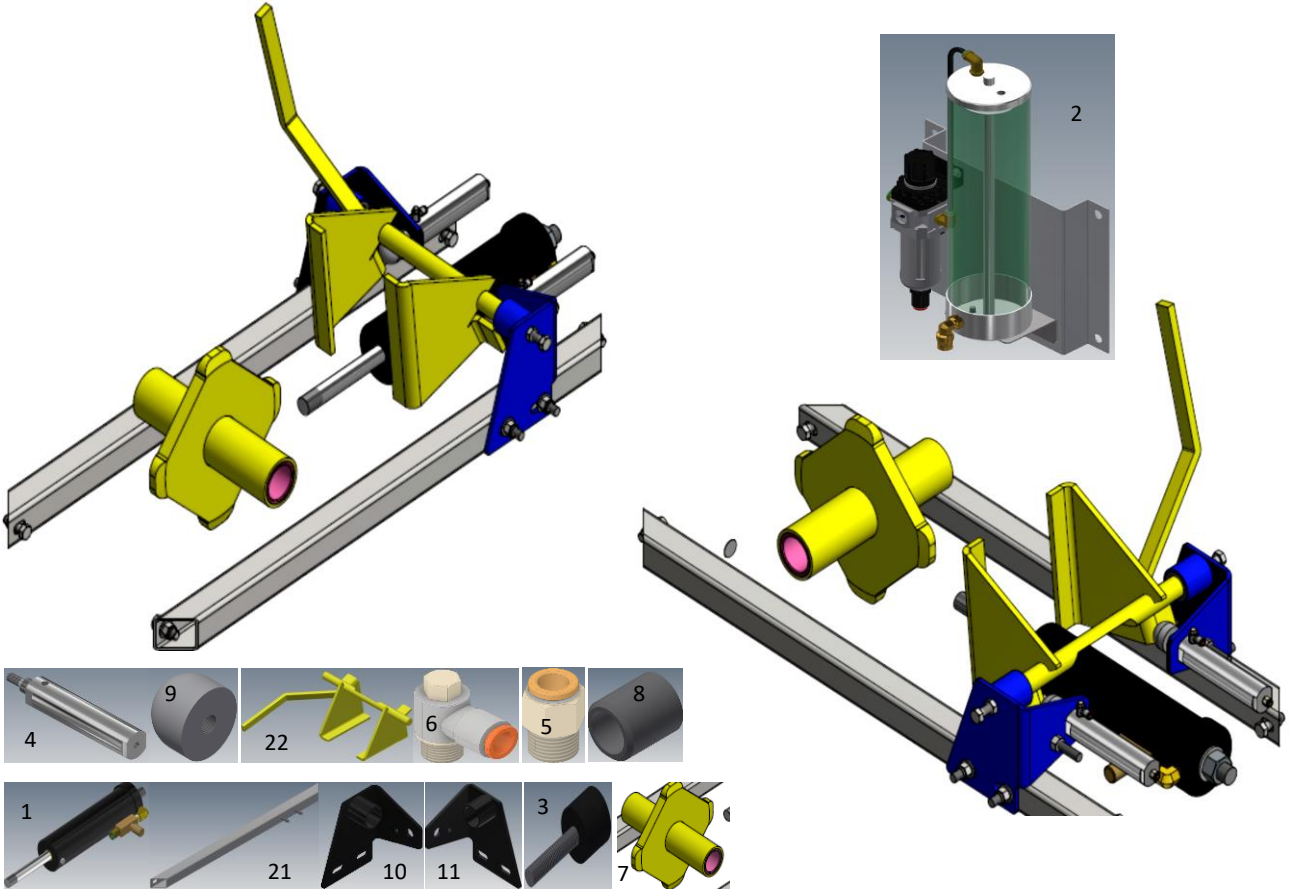
ITEM	PART NO.	DESCRIPTION
1	802802	Chain Guide Assembly
2	802800	Chain Guide Roller
3	803729	Chain Guide Mounting Plate
4	055269	Standard Take-Up Spring, 6" OD
5	756056	12 Tooth Sprocket
6	170159	Trap Door (Old)
	805822	Trap Door, Wide
7	164129	Trap Door Axle
8	720276	Roller Forks
9	341875	Roller Raiser Cylinder
10	718163	Cylinder Clevis



ITEM	PART NO.	DESCRIPTION
1	320663	RCV Gearbox
2	344598	Hydraulic Drive Motor
3	231415	12 Tooth Sprocket
4	814251	Trap Door
5	814381	Trap Door Roller
6	177881	Trap Door Axle
7	256008	Cover Plate
8	273839	Trap Door Axle
9	339853	Hairpin
10	814823	Trap Door & Roller Assembly
	265777	Complete Trap Door & Cover Rebuild Kit

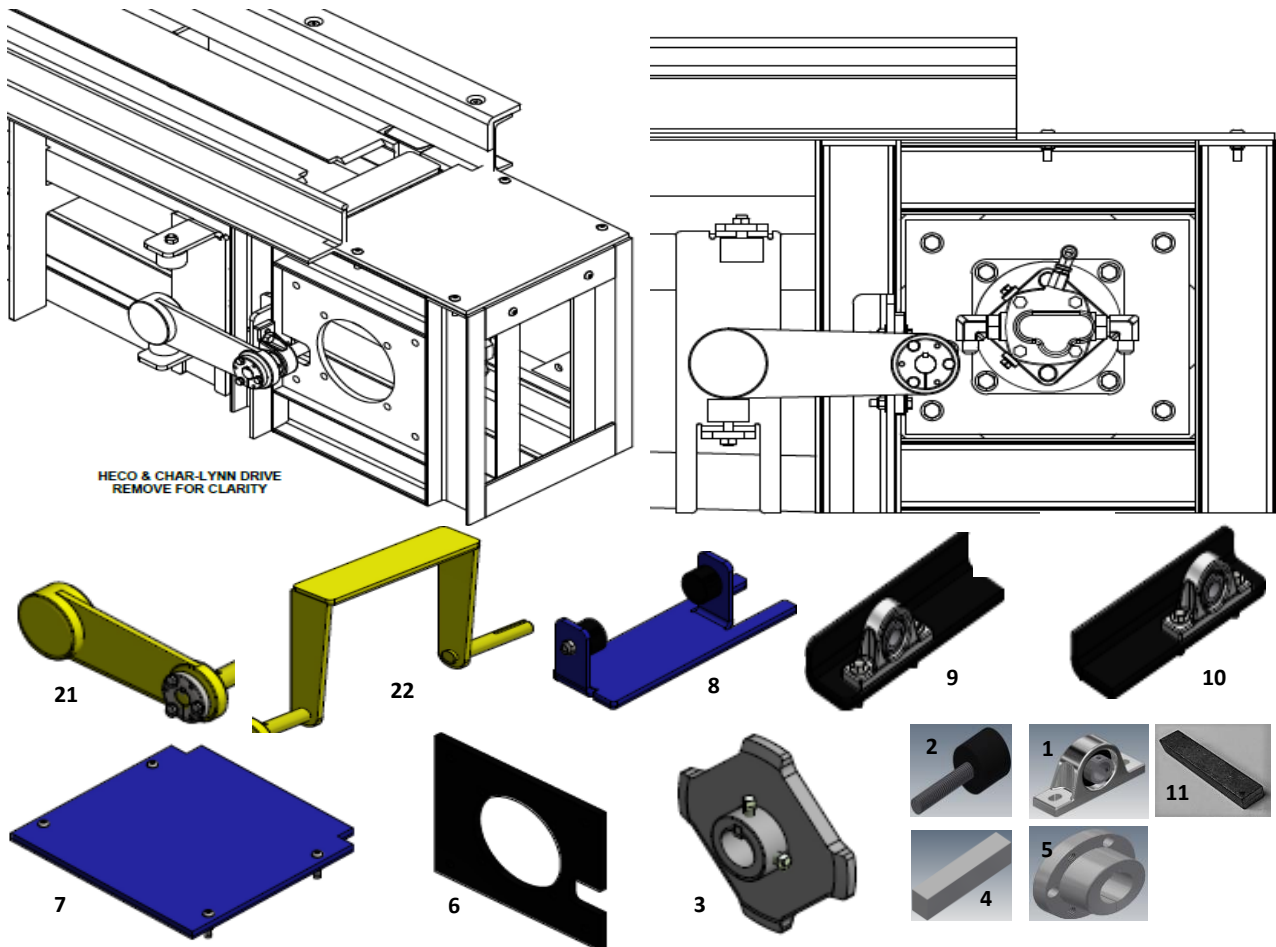


**CONVEYOR TAKE-UP SECTION- HYDRAULIC FOR X 458 CHAIN, 4 W PUSHER**



22	H816007	0	ANTI-JAM ROLLER RAISER	1
21	H816036	0	TAKE-UP SLIDE RAIL	2
20	H623054	-	WSHR FLAT SS 1"	1
19	H623033	-	WSHR FLAT SS 1/2"	8
18	H622934	-	SCR HEX CAP SS 1/2"-13 UNC X 1 1/2"	6
17	H622726	-	NUT HEX SS 1-8 UNC	1
16	H622715	-	NUT HEX JAM SS 1/2"-13 UNC	2
15	H622709	-	NUT ESNA HEX SS 1/2"-13 UNC	8
14	H370082	-	NUT HEX JAM SS 7/16 - 20UNF	2
13	H362795	-	NUT HEX SS 1/2-13 UNC	2
12	H333476	-	NUT HEX JAM SS 3/4"-UNC	2
11	H816717	0	LH ROLLER PIVOT BRACKET	1
10	H816716	0	RH ROLLER PIVOT BRACKET	1
9	H815458	1	ROLLER FORK BUMPER	2
8	H253427	2	FORK BUSHING	2
7	H816591	0	TAKEUP SPROCKET ASSEMBLY	1
6	H370215	-	FTG, CONN, ELL, 1/4 POLY X 1/8-NPT	2
5	H370214	-	FTG, CONN, 1/4 POLY X 1/8-NPT	2
4	H370075	-	CYLINDER, AIR, 1-1/4" X 2.000"	2
3	H228536	-	BUMPER STOP, 1-1/2" X 1-1/4" X 1/2-13 UNC	2
2	H817129	0	AIR/OIL POT ASSEMBLY	1
1	H709337	0	HYDRAULIC CYLINDER ASSEMBLY	1
<b>ITEM</b>	<b>PART NO.</b>	<b>REV</b>	<b>DESCRIPTION</b>	<b>QTY</b>

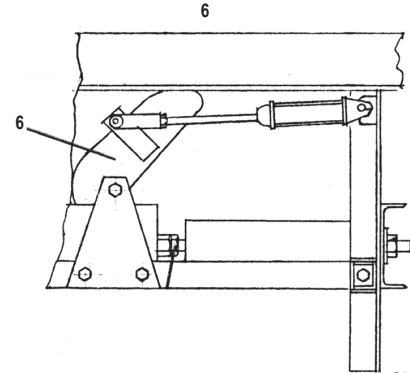
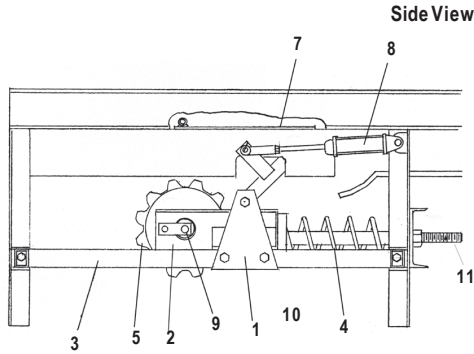
**CONVEYOR DRIVE END SECTION- FOR X 458 CHAIN, w/DISSAPEARING T/Door**



21	H816025	0	COUNTERWEIGHT ARM ASSEMBLY	2
20	H816004	0	DISAPPEARING EXIT DOOR- 4 WHEEL PUSHER	2
19	H623030	-	WSHR FLAT SS 3/8"	24
18	H622966	-	SCR HEX SS 3/8-16 NC 1-3/4	8
17	H622715	-	NUT HEX JAM SS 1/2"-13 UNC	4
16	H622710	-	NUT ESNA HEX SS 3/8-16 UNC	16
15	H362569	-	WSHR SPLT LOCK SS 5/16"	6
14	H362153	-	SCR HEX CAP SS 5/16"-18 UNC X 1-1/2"	6
13	H335869	-	SCR SET SQ HD ZC 1/2-13 UNC X 1"	4
12	H325415	-	SCREW, BUTTON HEAD SS, 3/8-UNC X 1 1/2"	8
11	H817192	0	KEY, S/S, 1/4 X 1/4 X 1-1/4"	2
10	H816018	0	BEARING MOUNT (RIGHT)	2
9	H816017	0	BEARING MOUNT (LEFT)	2
8	H816016	1	STOP BRACKET	2
7	H816015	2	DRIVE END RCV CONVEYOR	2
6	H814305	0	MOUNTING PLATE - GEARBOX	1
5	H176875	4	BUSHING TAPERLOCK 1"	2
4	H158436	4	KEY, 1/2 X 1/2 X 2-3/4"	2
3	H816748	0	DRIVE SPROCKET WELDMENT	2
2	H194688	-	RBR STOP 2" X 1 1/4"	4
1	H010405	-	1" PILLOW BLOCK BEARING	4
<b>ITEM</b>	<b>PART NO.</b>	<b>REV</b>	<b>DESCRIPTION</b>	<b>QTY</b>

# RCV CONVEYOR TAKE UP ASSEMBLY

# CONVEYOR



Side View

ITEM	PART NO.	DESCRIPTION
<b>RCV CONVEYOR TAKE UP ASSEMBLY</b>		
1	254276	RCV Fork Bushing Plate
	253427	RCV Fork Bushing
	756091	RCV Fork Plate & Bushing Assembly Plate
2	254268	RCV Take-Up Slide (current production)
	148205	Slide Pad 1/8 x 2 x 2
3	806141	RCV Slide Rail
4	055269	RCV Take-Up Spring 6" x 18"
5	253393	Take-Up Drum Thrust Bushing
	253394	Take-Up Drum Washer
	253419*	RCV Conveyor Take Up Drum (bushing style)
	756056	Take Up Sprocket with Bushing (12 Tooth)
	756049*	Take Up Sprocket with Bushing (14 Tooth)
6	720276	RCV Roller Fork Bushing Style Curved
7	170159	Entrance Trap Door
	170167	Entrance Trap Door Hinge
	164129	Trap Door Axle 5/8" x 12"
	805827	Entrance Trap Door Wire
8	341875	Cylinder
	718163	Cylinder Clevis 1-1/2"
9	253435	RCV Take-Up Shaft
10	720417	Spring Retainer
11	801133	1" x 24" All Tread Rod
* CALL FOR AVAILABILITY		

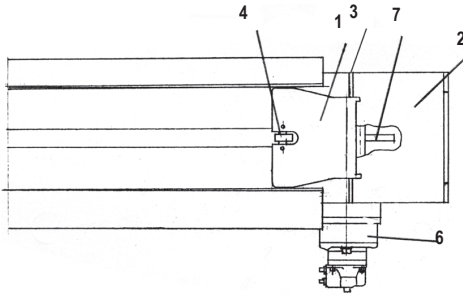


170159

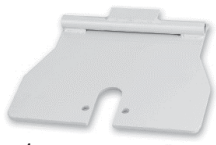
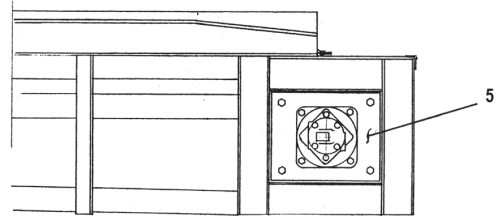
**RCV CONVEYOR DRIVE ASSEMBLY**

**CONVEYOR**

Top View



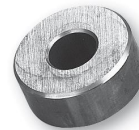
Side View



1



2



4



4

ITEM	PART NO.	DESCRIPTION
<b>RCV CONVEYOR DRIVE ASSEMBLY</b>		
1	170175*	Exit Trap Door (old style)
	255992*	Exit Trap Door (previous production)
	723288*	Exit Trap Door (use 814251)
2	256008	Exit Cover Plate with hinge
3	273839	Trap Door Axle 15.75"
	339853	Hair Pin Clip 1/8"
4	177873*	Trap Door Roller 1 x 2-1/2" (use 814381)
	177881	Trap Door Roller Axle 1 x 3-1/4"
5	231696	RCV Motor Mounting Plate
	314989*	Motor and Gearbox - HECO 16CF with Sun Gear Assembly
6	329003	Sun Gear 16-E
	320663	Heco CF 161-05-3
	315796*	Char-Lynn 1034
7	231415	RCV Drive Sprocket 12T 2-1/4" Bore (current production)
	269910*	RCV Drive Sprocket 14T 2-1/4" Bore
	231423*	RCV Drive Sprocket 12T 2-7/16" Bore (old style)
	275297*	RCV Drive Sprocket 14T 1-1/2" Bore (old style)
	269860*	RCV Drive Sprocket 14T 2-7/16" Bore (old style)
	275495*	RCV Drive Sprocket 12T 1-1/2" Bore (old style)
* CALL FOR AVAILABILITY		



1



2



3

4



5



6



7



8



9



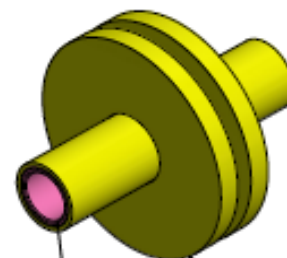
10



11



12



13

NO	PART #	DESCRIPTION
1	H368235-T	CHAIN D 88K 16 PITCH RIVETTED
2	H368236-T	CHAIN D 88K 18 PITCH W/ PIN & COTTER
3	H020420	PIN COTTER SS 1/8" X 1"
4	H320929	CHAIN PIN D-88K, DRIVES #1010
5	H367169	CHAIN SC-78 CHAIN 16-P RIVETED
6	H355750	CHAIN C-78 18-PITCH W/ PIN & COTTER
7	H054015	CHAIN PIN AND COTTER FOR SC-78 CHAIN
8	H623450	CHAIN X458 DROP FORGED (STD)
	H370183	CHAIN X458 HT ( HEAVY DUTY)
9	H623258	SIDE PLATE X458 CHAIN (STD)
	H370185	SIDE PLATE X458 HT CHAIN ( HEAVY DUTY)
10	H623255	PIN FOR X458 CHAIN (STD)
	H370186	PIN FOR X458 CHAIN (HEAVY DUTY)
11	H359773	LOG CHAIN 11 PITCH
12	H294173	DRIVE SPROCKET 5T FOR LOG CHAIN
13	H817232	TAKE UP DRUM FOR LOG CHAIN





COLEMAN HANNA CARWASH SYSTEMS- 5842 W. 34<sup>th</sup> STREET- HOUSTON-TEXAS- 77092 TOLL FREE- (800) 999- 9878  
INFO@COLEMANHANNA.COM WWW.COLEMANHANNA.COM