



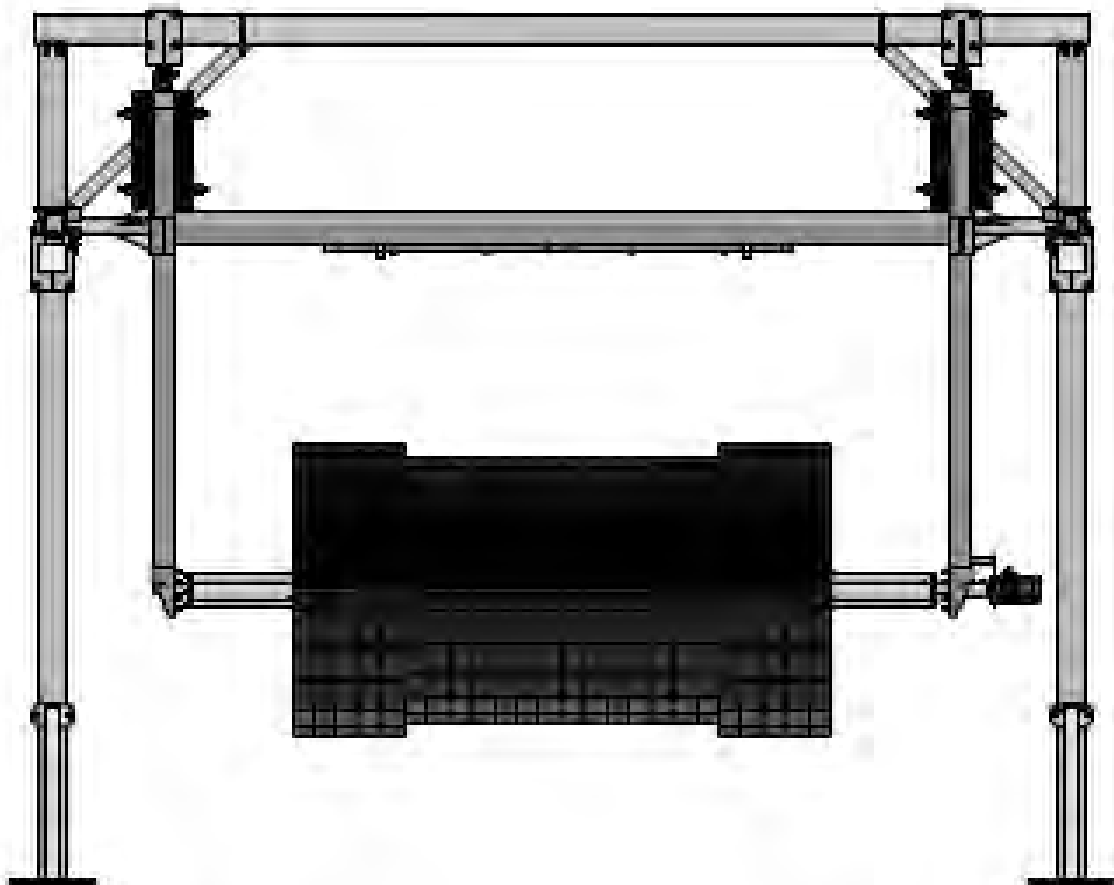
AN O'HANRAHAN COLEMAN COMPANY

BRUSHES, CURTAINS & ACCESSORIES

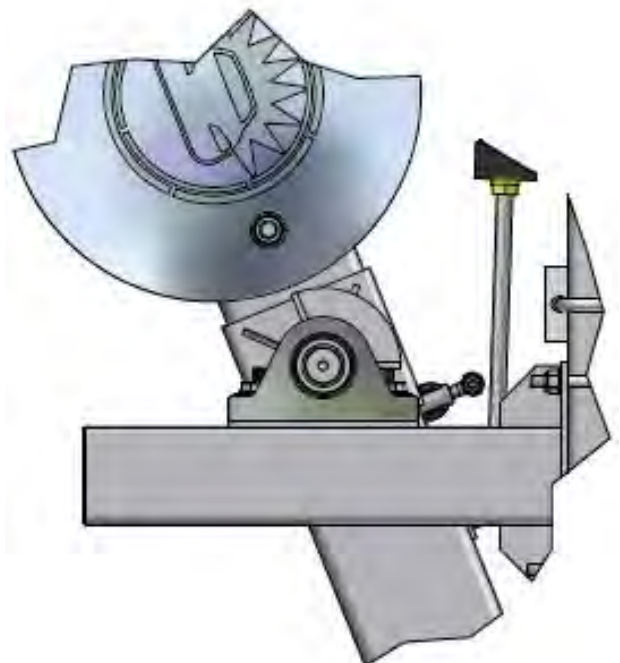
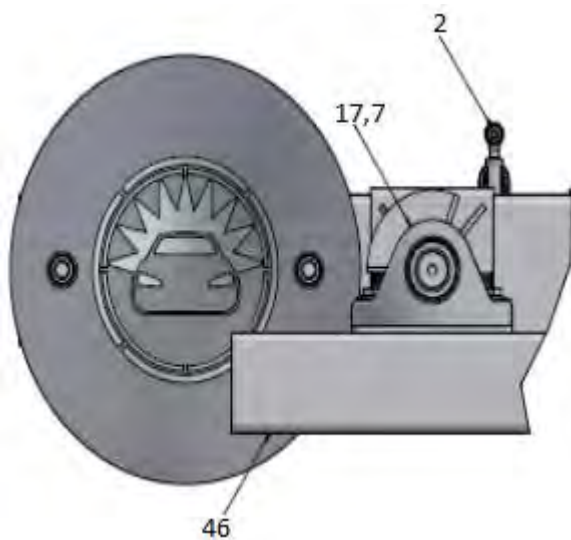
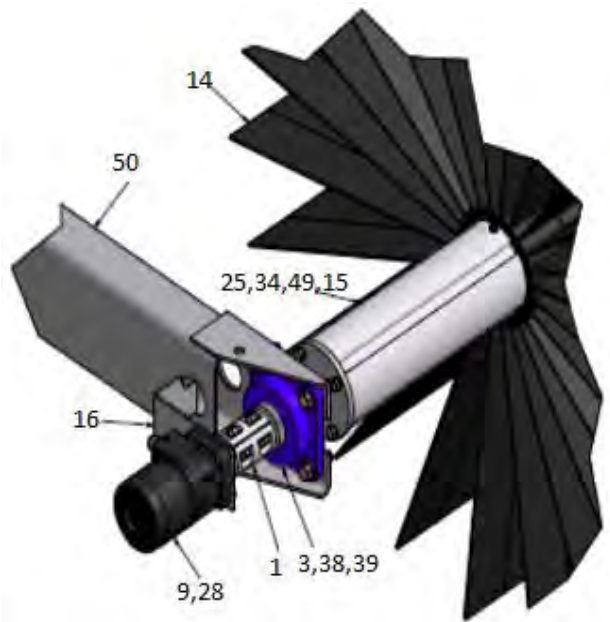


COLEMAN HANNA CARWASH SYSTEMS- 5842 W. 34th STREET- HOUSTON-TEXAS- 77092 TOLL FREE-(800) 999- 9878
INFO@COLEMANHANNA.COM WWW.COLEMANHANNA.COM

ROTARY TOP BRUSH



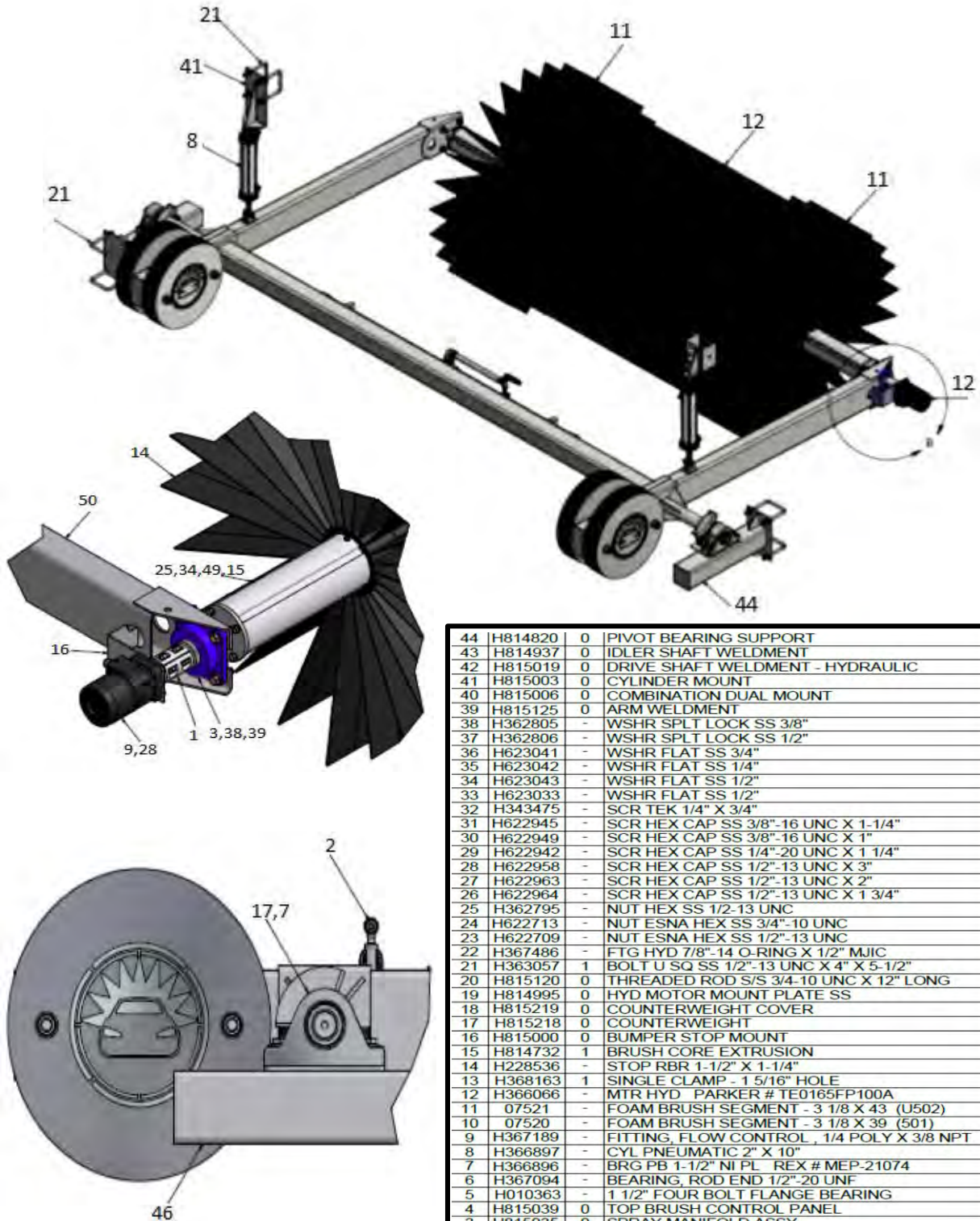
ROTARY TOP BRUSH



ROTARY TOP BRUSH- PARTS LIST

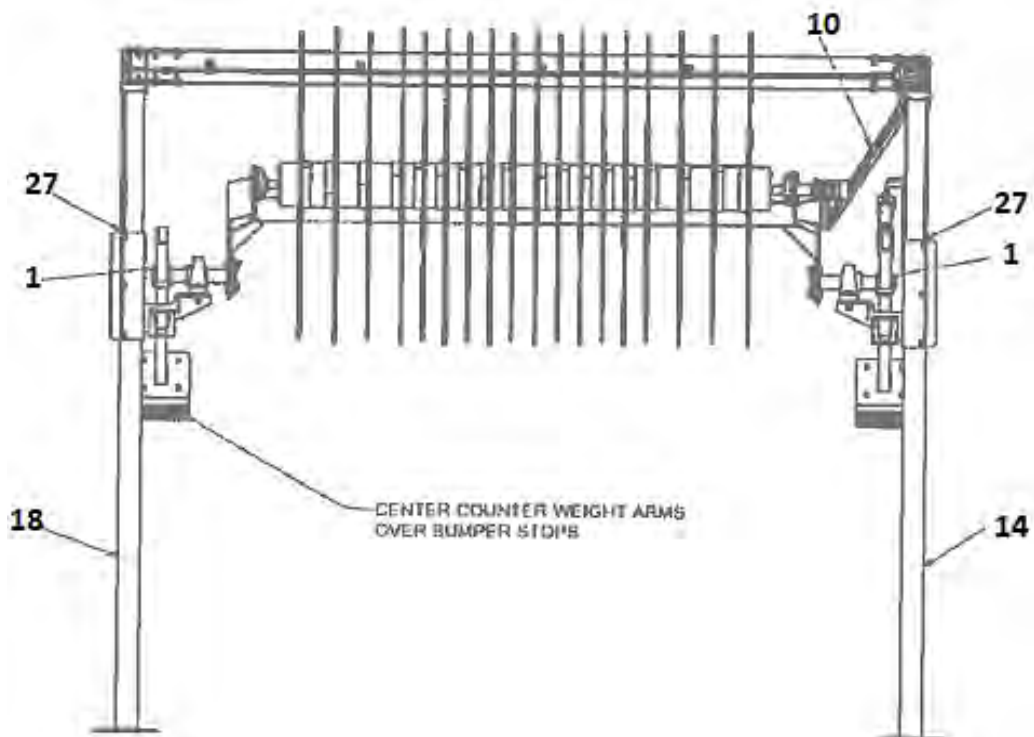
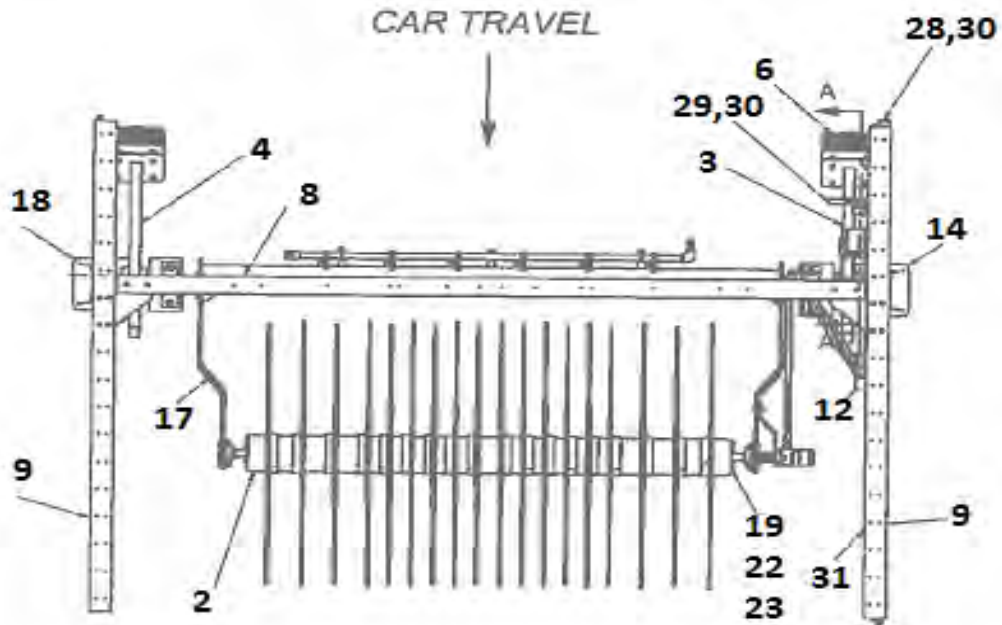
51	H815235	0	GREASE COVER WELDMENT	1
50	H815125	0	ARM WELDMENT	1
49	H815019	0	DRIVE SHAFT WELDMENT - HYDRAULIC	1
48	H814980	0	CYLINDER MOUNT	2
47	H814937	0	IDLER SHAFT WELDMENT	1
46	H814820	0	PIVOT BEARING SUPPORT	2
45	H814350	0	CROSS HEADER	1
44	H814348	1	SINGLE POST - 90" CLEAR - STAINLESS	2
43	H814052	0	GUSSET - 36"	6
42	H623043	-	WSHR FLAT SS 1/2"	4
41	H623042	-	WSHR FLAT SS 1/4"	4
40	H623041	-	WSHR FLAT SS 3/4"	8
39	H623033	-	WSHR FLAT SS 1/2"	60
38	H622964	-	SCR HEX CAP SS 1/2"-13 UNC X 1 3/4"	8
37	H622963	-	SCR HEX CAP SS 1/2"-13 UNC X 2"	2
36	H622958	-	SCR HEX CAP SS 1/2"-13 UNC X 3"	6
35	H622949	-	SCR HEX CAP SS 3/8"-16 UNC X 1"	4
34	H622945	-	SCR HEX CAP SS 3/8"-16 UNC X 1-1/4"	8
33	H622942	-	SCR HEX CAP SS 1/4"-20 UNC X 1 1/4"	4
32	H622936	-	SCR HEX CAP SS 1/2"-13 UNC X 5 1/2"	4
31	H622934	-	SCR HEX CAP SS 1/2"-13 UNC X 1 1/2"	10
30	H622713	-	NUT ESNA HEX SS 3/4"-10 UNC	8
29	H622709	-	NUT ESNA HEX SS 1/2"-13 UNC	52
28	H367486	-	FTG HYD 7/8"-14 O-RING X 1/2" MJIC	2
27	H363057	1	BOLT U SQ SS 1/2"-13 UNC X 4" X 5-1/2"	12
26	H362806	-	WSHR SPLT LOCK SS 1/2"	8
25	H362805	-	WSHR SPLT LOCK SS 3/8"	12
24	H362795	-	NUT HEX SS 1/2-13 UNC	8
23	H343475	-	SCR TEK 1/4" X 3/4"	4
22	H815219	0	COUNTERWEIGHT COVER	4
21	H815218	0	COUNTERWEIGHT	28
20	H815131	0	VINYL BACKING - BLACK	2
19	H815130	1	HANNA NAMEPLATE	2
18	H815120	0	THREADED ROD S/S 3/4-10 UNC X 12" LONG	4
17	H815000	0	BUMPER STOP MOUNT	2
16	H814995	0	HYD MOTOR MOUNT PLATE SS	1
15	H814732	1	BRUSH CORE EXTRUSION	1
14	H368425	-	FOAM BRUSH SEGMENT - 3 1/8 X 43 (U502)	10
13	H368424	-	FOAM BRUSH SEGMENT - 3 1/8 X 39 (U501)	14
12	H368163	1	SINGLE CLAMP - 1 5/16" HOLE	2
11	H367189	-	FITTING, FLOW CONTROL , 1/4 POLY X 3/8 NPT	4
10	H367094	-	BEARING, ROD END 1/2"-20 UNF	2
9	H366906	-	MTR HYD PARKER # TE0130FS100AAAA	1
8	H366897	-	CYL PNEUMATIC 2" X 10"	2
7	H366896	-	BRG PB 1-1/2" NI PL REX # MEP-21074	2
6	H228536	-	BUMPER STOP, 1-1/2" X 1-1/4" X 1/2-13 UNC	4
5	H010363	-	1 1/2" FOUR BOLT FLANGE BEARING	2
4	H815039	0	TOP BRUSH CONTROL PANEL(not shown)	1
3	H815035	0	SPRAY MANIFOLD ASSY	1
2	H814262	0	INLINE FOAM GENERATOR	1
1	H231753	1	SPLIT COUPLING ASSY	1
ITE	PART NO	REV	DESCRIPTION	QTY

TOP BRUSH ATTACHMENT VERSION-

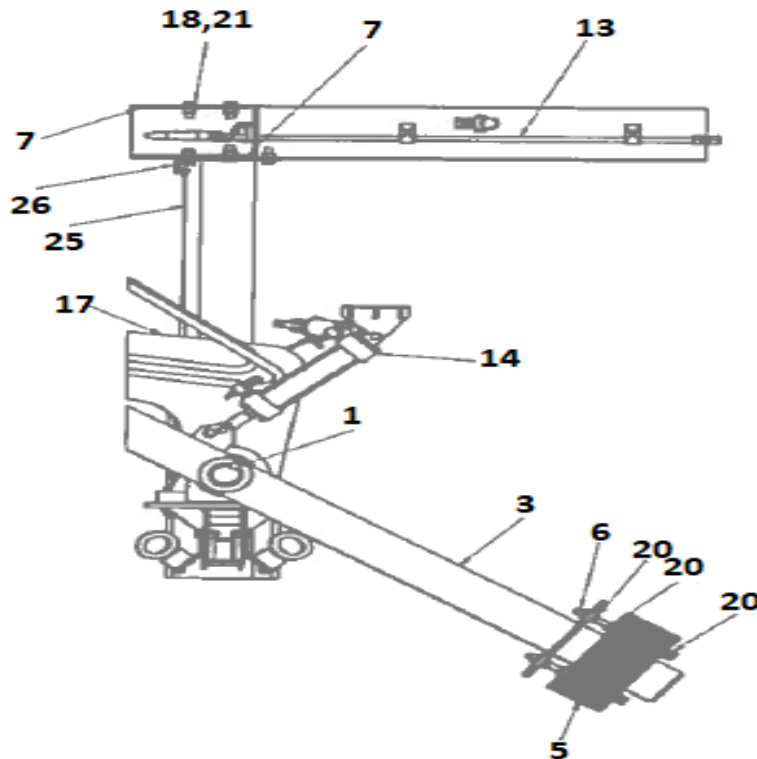


44	H814820	0	PIVOT BEARING SUPPORT	2
43	H814937	0	IDLER SHAFT WELDMENT	1
42	H815019	0	DRIVE SHAFT WELDMENT - HYDRAULIC	1
41	H815003	0	CYLINDER MOUNT	1
40	H815006	0	COMBINATION DUAL MOUNT	1
39	H815125	0	ARM WELDMENT	1
38	H362805	-	WSHR SPLT LOCK SS 3/8"	12
37	H362806	-	WSHR SPLT LOCK SS 1/2"	8
36	H623041	-	WSHR FLAT SS 3/4"	8
35	H623042	-	WSHR FLAT SS 1/4"	4
34	H623043	-	WSHR FLAT SS 1/2"	4
33	H623033	-	WSHR FLAT SS 1/2"	40
32	H343475	-	SCR TEK 1/4" X 3/4"	4
31	H622945	-	SCR HEX CAP SS 3/8"-16 UNC X 1-1/4"	8
30	H622949	-	SCR HEX CAP SS 3/8"-16 UNC X 1"	4
29	H622942	-	SCR HEX CAP SS 1/4"-20 UNC X 1 1/4"	4
28	H622958	-	SCR HEX CAP SS 1/2"-13 UNC X 3"	6
27	H622963	-	SCR HEX CAP SS 1/2"-13 UNC X 2"	2
26	H622964	-	SCR HEX CAP SS 1/2"-13 UNC X 1 3/4"	8
25	H362795	-	NUT HEX SS 1/2-13 UNC	8
24	H622713	-	NUT ESNA HEX SS 3/4"-10 UNC	8
23	H622709	-	NUT ESNA HEX SS 1/2"-13 UNC	28
22	H367486	-	FTG HYD 7/8"-14 O-RING X 1/2" MJIC	2
21	H363057	1	BOLT U SQ SS 1/2"-13 UNC X 4" X 5-1/2"	6
20	H815120	0	THREADED ROD S/S 3/4-10 UNC X 12" LONG	4
19	H814995	0	HYD MOTOR MOUNT PLATE SS	1
18	H815219	0	COUNTERWEIGHT COVER	4
17	H815218	0	COUNTERWEIGHT	36
16	H815000	0	BUMPER STOP MOUNT	2
15	H814732	1	BRUSH CORE EXTRUSION	1
14	H228536	-	STOP RBR 1-1/2" X 1-1/4"	4
13	H368163	1	SINGLE CLAMP - 1 5/16" HOLE	2
12	H366066	-	MTR HYD PARKER # TE0165FP100A	1
11	07521	-	FOAM BRUSH SEGMENT - 3 1/8 X 43 (U502)	10
10	07520	-	FOAM BRUSH SEGMENT - 3 1/8 X 39 (501)	14
9	H367189	-	FITTING, FLOW CONTROL , 1/4 POLY X 3/8 NPT	4
8	H366897	-	CYL PNEUMATIC 2" X 10"	2
7	H366896	-	BRG PB 1-1/2" NI PL REX # MEP-21074	2
6	H367094	-	BEARING, ROD END 1/2"-20 UNF	2
5	H010363	-	1 1/2" FOUR BOLT FLANGE BEARING	2
4	H815039	0	TOP BRUSH CONTROL PANEL	1
3	H815035	0	SPRAY MANIFOLD ASSY	1
2	H231753	1	SPLIT COUPLING ASSY	1
1	H814262	0	INLINE FOAM GENERATOR	1
ITE	PART NO	REV	DESCRIPTION	QTY

TOP BRUSH XT- OLD VERSION-

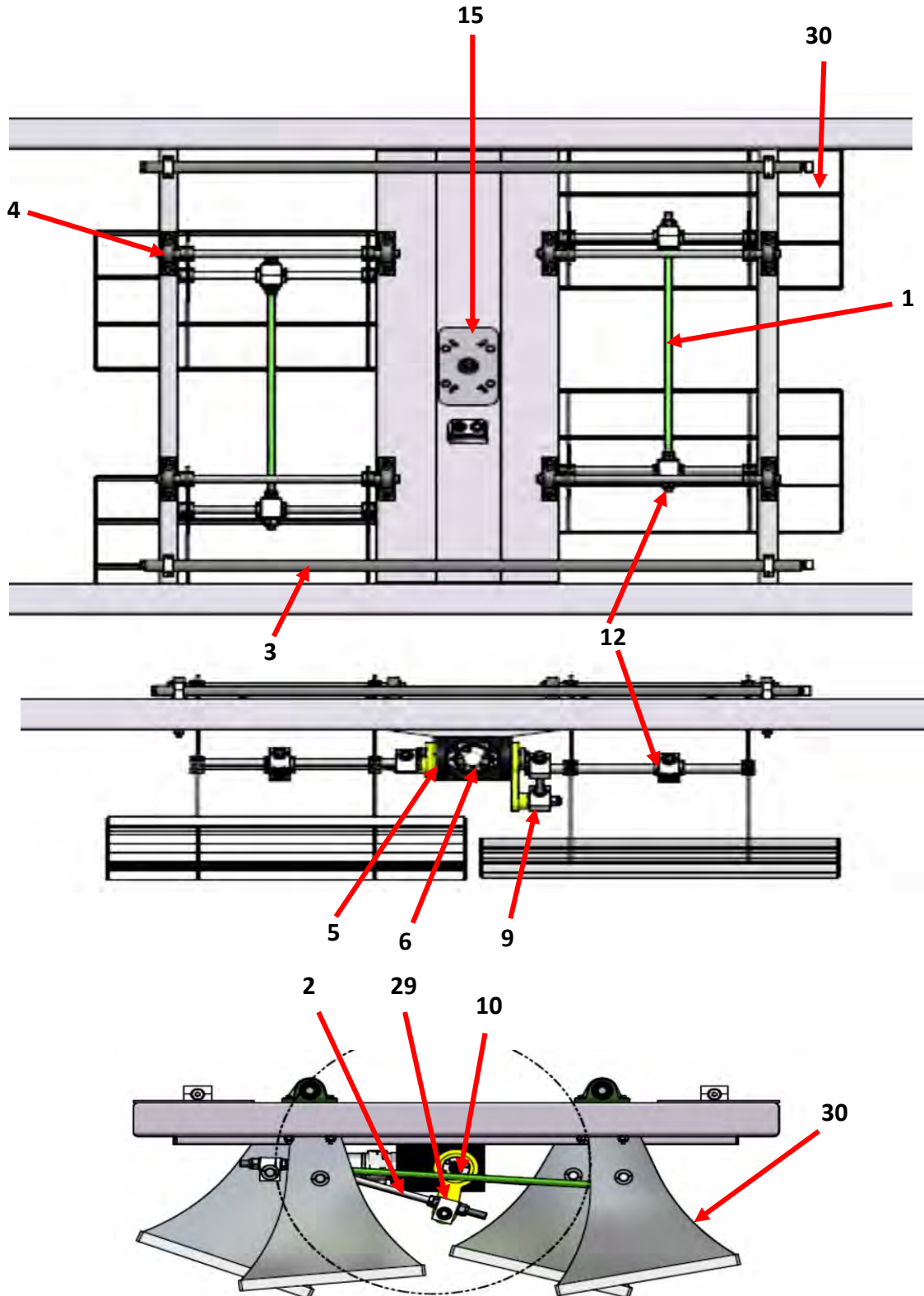


TOP BRUSH XT- OLD VERSION-



31	H 381151	PLUG PVC SCH 80 3/4" MPT	1
30	H 312250	HOSE DOUBLE BRAIDED 3/4" (7 FT)	1
29	H 812900	WATER VALVE ASSY - SINGLE W/HOSE BARB	1
28	H 812510	WATER MANIFOLD ASSY STD 9 FT	1
27	H 813028	BRKT BOTTOM CABLE STOP	2
26	H 813029	BRKT, TOP CABLE STOP	2
25	H 813030	CABLE ASSY SS 3/16" X 26"	2
24	H 810579	PNEUMATIC PANEL - ROTARY TOP BRUSH	1
23	H 823040	WSHR FLAT SS 3/8"	12
22	H 302805	WSHR SPLT LOCK SS 3/8"	12
21	H 822700	NUT ESNA HEX SS 1/2"-13 UNC	29
20	H 382795	NUT HEX SS 1/2"-13 UNC	32
19	H 822947	SCR HEX CAP SS 3/8"-16 UNC X 1-1/2"	12
18	H 822934	SCR HEX CAP SS 1/2"-13 UNC X 1 1/2"	26
17	H 813033	ARM ASSY - XT ROTARY TOP BRUSH	1
16	H 812910	POST ASSY RH - XT ROTARY TOP BRUSH	1
15	H 812915	POST ASSY LH - XT ROTARY TOP BRUSH	1
14	H 812848	CYL ASSY - XT ROTARY TOP BRUSH	1
13	H 812847	HYDRAULIC ASSY - SYSTEM	1
12	H 803868	BULKHEAD MTG PLATE	1
11	H 812586	HOSE ASSY 1/2" X 78" STR FJIC X STR FJIC	1
10	H 812586	HOSE ASSY 1/2" X 78" STR FJIC X STR FJIC	1
9	H 812454	C-CHANNEL XT 9 FT	2
8	H 812451	HEADER CROSSMEMBER	1
7	H 812399	HEADER MOUNTING PLATE	4
6	H 811958	ALL THRD SS 1/2" 13 UNC X 9"	8
5	H 810888	COUNTER WEIGHT	38
4	H 810838	COUNTER WEIGHT ARM RH	1
3	H 810831	COUNTER WEIGHT ARM LH	1
2	H 810529	BRUSH ASSY FOAM	1
1	H 807207	KEY SS 5/8" X 5/8" X 2"	2
ITEM	PART NO	DESCRIPTION	QTY

HANNA HSS-2 MITTER



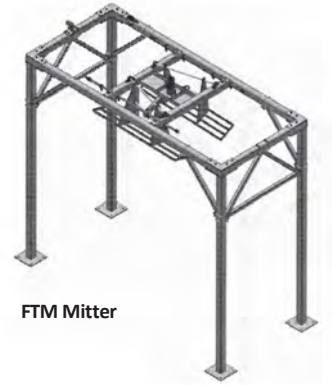
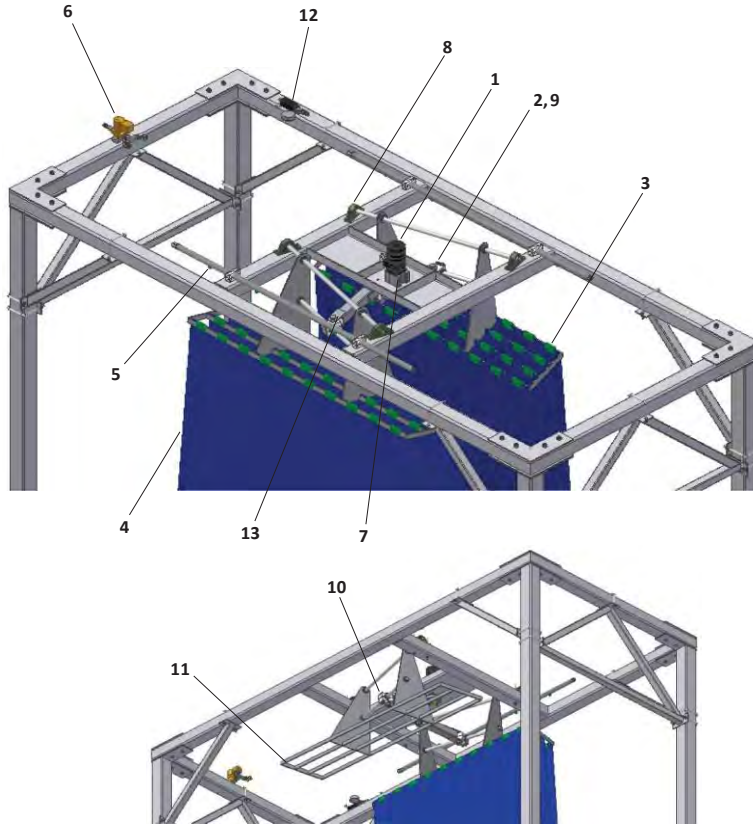


HANNA HSS-2 MITTER-PARTS LIST

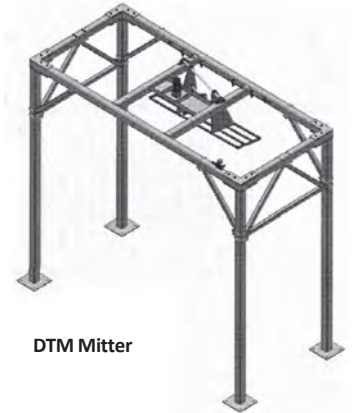
31	H814102	1	FRAME WELDMENT	1
30	H812368	3	BASKET ASSEMBLY - DRIVER	4
29	H800369	1	HSS CRANK ARM	2
28	H623041	-	WSHR FLAT SS 3/4"	18
27	H623040	-	WSHR FLAT SS 3/8"	16
26	H623033	-	WSHR FLAT SS 1/2"	16
25	H622948	-	SCR HEX CAP SS 5/16"-18 UNC X 1-1/4"	6
24	H622947	-	SCR HEX CAP SS 3/8"-16 UNC X 1-1/2"	8
23	H622934	-	SCR HEX CAP SS 1/2"-13 UNC X 1 1/2"	4
22	H622874	-	SCR HEX CAP SS 3/8-16 UNC X 5 1/2" LONG	8
21	H622729	-	NUT HEX JAM SS 3/4"-10 UNC	16
20	H622713	-	NUT ESNA HEX SS 3/4"-10 UNC	10
19	H622710	-	NUT ESNA HEX SS 3/8-16 UNC	8
18	H622709	-	NUT ESNA HEX SS 1/2"-13 UNC	16
17	H367614	-	SCR HEX CAP SS 3/8"-16 UNC X 3"	8
16	H362569	-	WSHR SPLT LOCK SS 5/16"	6
15	H812483	3	STIFFENING PLATE	1
14	H812372	2	CRANK ARM SHAFT	2
13	H812371	3	HANGER SHAFT	2
12	H812366	2	RACK BEARING UHMW SPLIT	4
11	H804086	3	CRANK ARM SHAFT	4
10	H802316	6	BSHG TAPERLOCK 1-3/8"	2
9	H740381	0	RACK BEARING UHMW 2 X 2 X 2-3/4	4
8	H368163	1	SINGLE CLAMP - 1 5/16" HOLE	4
7	H367803	-	1" SET COLLAR SS FULL SPLIT	10
6	H366913		MTR HYD PARKER # TE0130AS100AAAA	1
5	H365456		GEAR BOX 1:1 OMNI GEAR # LR-400	1
4	H010405	-	1" PILLOW BLOCK BEARING	8
3	H812378	4	SPRAY MANIFOLD ASSY	2
2	H740803		DRIVE ARM PRIMARY 3/4" X 20" HSS-2	2
1	H740795		DRIVE ARM SECONDARY 3/4" X 36" HSS-2	2
ITE	PART NO	REV	DESCRIPTION	QTY

FTM & DTM MITTERS

FREESTANDING BRUSHES



FTM Mitter



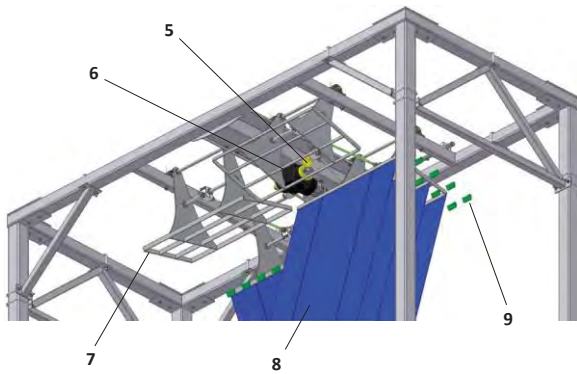
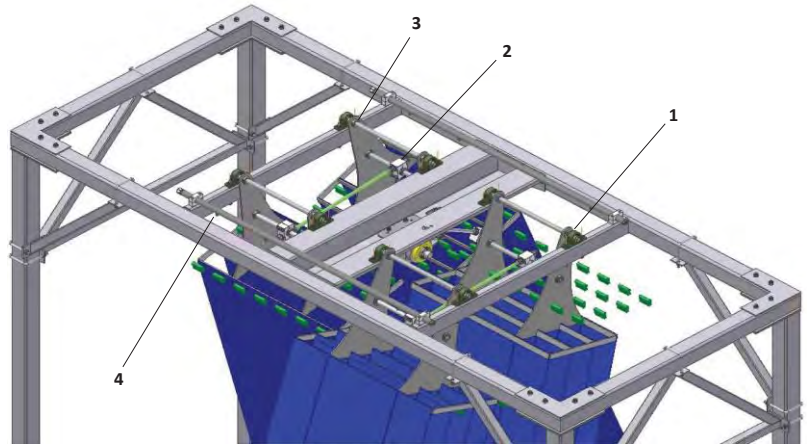
DTM Mitter

ITEM	PART NO.	DESCRIPTION
1	367981	Hydraulic Motor
2	800268	Long Crank Arm - FTM
	800369	Short Crank Arm - DTM/HSS
3	805469	Mitter Clip
4	814843	18 X 102 Mitter Curtain
	814844	24 X 102 Mitter Curtain
5	363262	Green Nozzle
6	324764	DEMA Valve
7	367805	Overhung Load Adapter
8	010405	1" Bearing
9	176875	1" Taper Lock Bearing Bushing
10	812355	Rack Bearing UHMW Split
11	812348	Entrance Basket
	812347	Exit Basket
12	197830	PCM 600 Flowcontrol
13	812963	Connecting Arm

Contact your Hanna Distributor for pricing and availability or call Hanna • 1-800-999-9878

HSS MITTERS

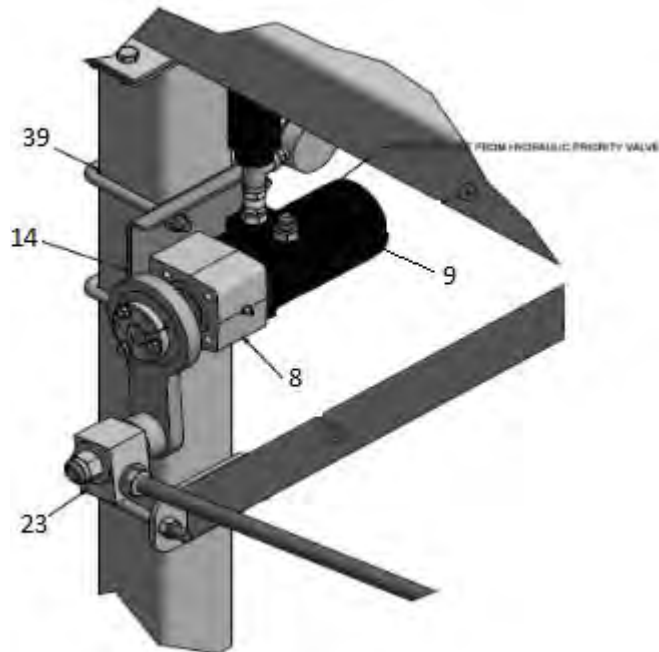
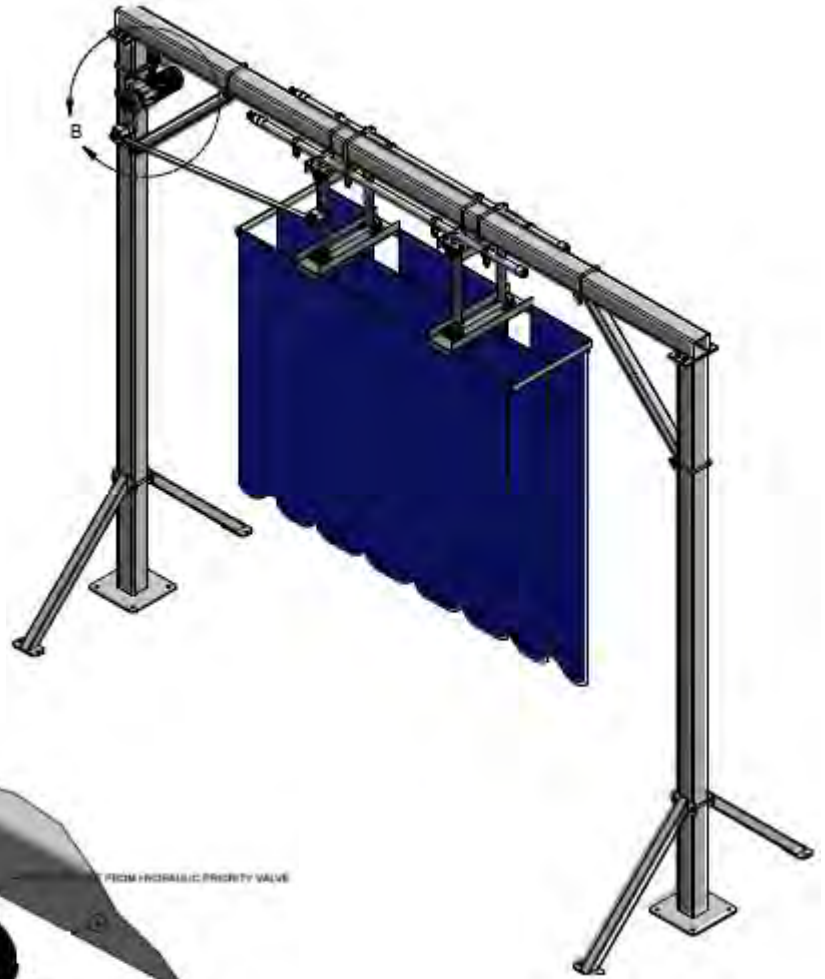
FREESTANDING BRUSHES



ITEM	PART NO.	DESCRIPTION
1	010405	1" Bearing
2	812366	Split Drive Block
	740381	Solid Drive Block
3	802316	TaperLock Bushing 1-3/8"
4	363262	Green Nozzle
5	800369	Short Crank Arm - DTM/HSS
6	365456	Hydraulic Drive Gearbox
	366913	Hydraulic Motor
7	812368	HSS Basket
8	814843	18 X 102 Mitter Curtain
	814845	9 X 102 Mitter Curtain
9	805469	Mitter Clip
	324764	DEMA Valve
	368043	Electric Drive Gearbox
	368044	Electric Drive Motor
	740803	20" Drive Rods
	740795	36" Drive Rods



HANNA S- 20 MITTER



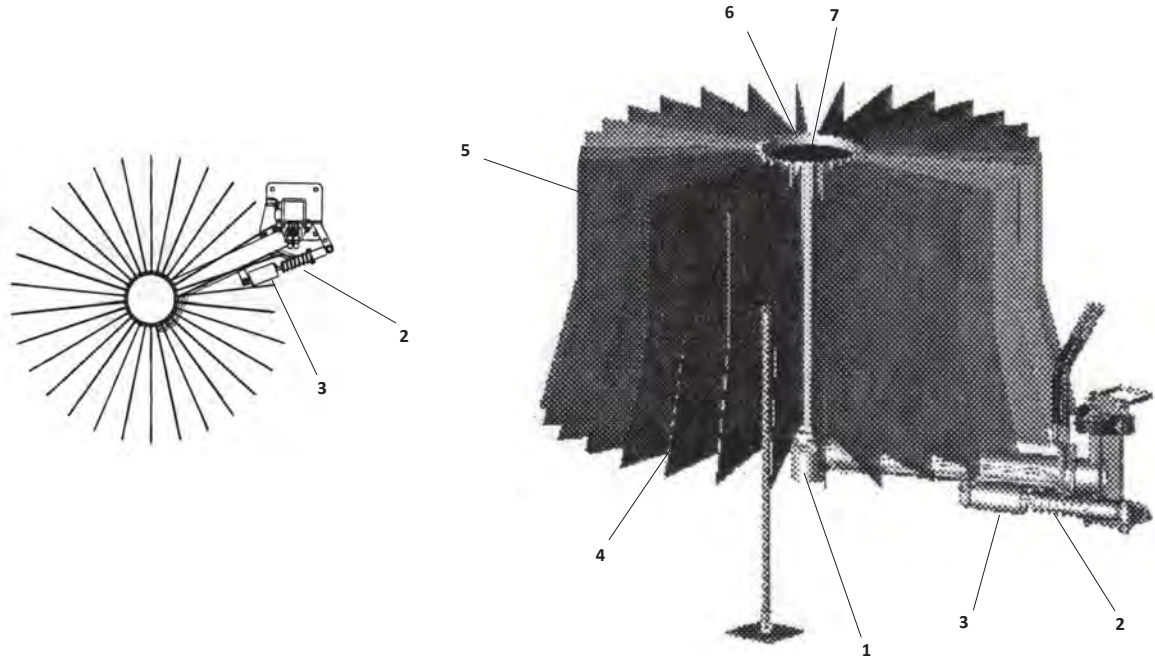


HANNA S- 20 MITTER- PARTS LIST

42	H814404	0	BASKET HANGAR	1
41	H814360	0	BASKET HANGAR	1
40	H814350	0	CROSS HEADER	1
39	H814348	1	SINGLE POST - 90" CLEAR - STAINLESS	2
38	H814052	0	GUSSET - 36"	6
37	H800369	1	CRANK ARM WELDMENT	1
36	H623054	-	WSHR FLAT SS 1"	4
35	H623041	-	WSHR FLAT SS 3/4"	4
34	H623040	-	WSHR FLAT SS 3/8"	16
33	H622975	-	SCR HEX CAP SS 1/2"-13 UNC X 1-1/4"	8
32	H622948	-	SCR HEX CAP SS 5/16"-18 UNC X 1-1/4"	3
31	H622947	-	SCR HEX CAP SS 3/8"-16 UNC X 1-1/2"	4
30	H622945	-	SCR HEX CAP SS 3/8"-16 UNC X 1-1/4"	16
29	H622729	-	NUT HEX JAM SS 3/4"-10 UNC	4
28	H622713	-	NUT ESNA HEX SS 3/4"-10 UNC	1
27	H622710	-	NUT ESNA HEX SS 3/8-16 UNC	16
26	H622709	-	NUT ESNA HEX SS 1/2"-13 UNC	32
25	H367486	-	FTG HYD 7/8"-14 O-RING X 1/2" MJIC	2
24	H365383	-	SCR HEX CAP SS 1/2"-13 UNC X 5"	4
23	H363057	1	BOLT U SQ SS 1/2"-13 UNC X 4" X 5-1/2"	10
22	H362805	-	WSHR SPLT LOCK SS 3/8"	4
21	H362569	-	WSHR SPLT LOCK SS 5/16"	3
20	H027458	-	FTG HYD 1/2-JIC X 3/8-NPT	1
19	H014480	-	TEE, STREET 3/8-NPT	1
18	H013219	-	BSHG 3/8-NPT X 1/4-NPT	1
17	H814395	1	THREADED ROD S/S 3/4-10 UNC X 54" LONG	1
16	H814393	0	SPACER BAR	2
15	H814379	0	S-20 BLANKET	3
14	H814356	2	MOTOR MOUNT	1
13	H814351	2	BEARING HANGAR	2
12	H740381	0	RACK BEARING UHMW 2 X 2 X 2-3/4	2
11	H176875	4	BUSHING TAPERLOCK 1"	1
10	H368163	1	SINGLE CLAMP - 1 5/16" HOLE	4
9	H367981	-	HYDRAULIC MOTOR	1
8	H367805	-	OVERHUNG LOAD ADAPTER	1
7	H367803	-	1" SET COLLAR SS FULL SPLIT	2
6	H361343	-	FTG HYD CONNECTOR, 1/2-JIC-F X 3/8-NPT-M	1
5	H197830	-	VLV, FLOW CONTROL	1
4	H070292	-	GUAGE 1/4-NPT 2000 PSI	1
3	H010405	-	1" PILLOW BLOCK BEARING	8
2	H814352	6	BASKET WELDMENT	1
1	H812378	4	SPRAY MANIFOLD ASSY	2
ITEM	PART NO.	REV	DESCRIPTION	QTY

HUB CAP ROCKER PANELS (HCRP)

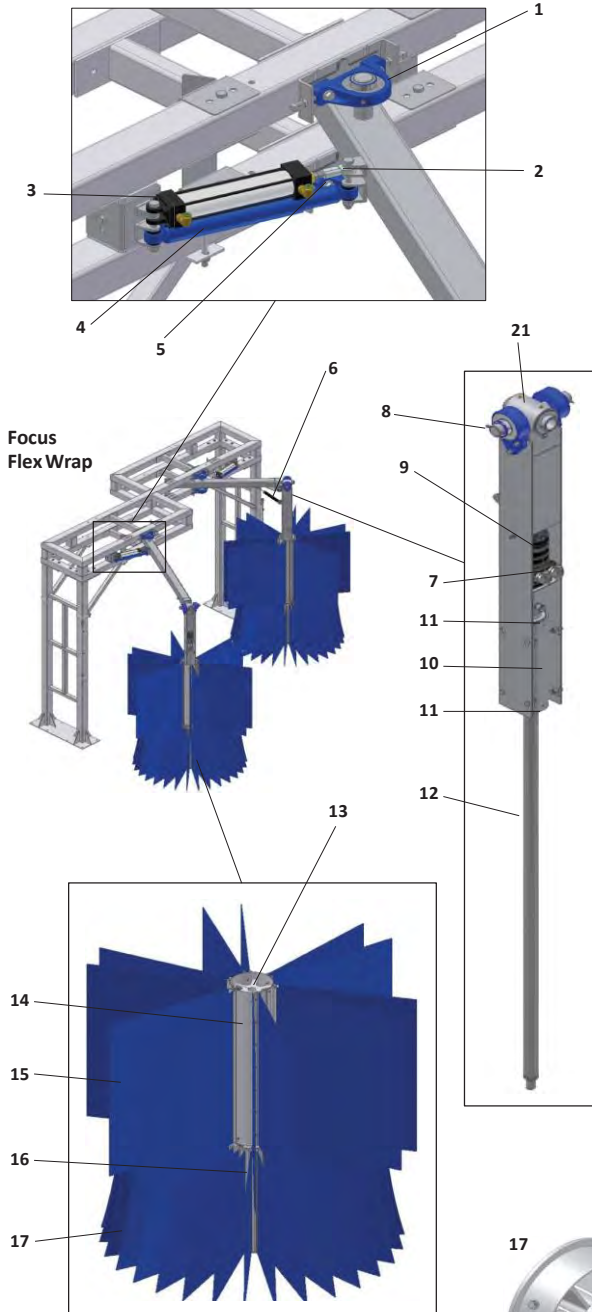
FREESTANDING BRUSHES



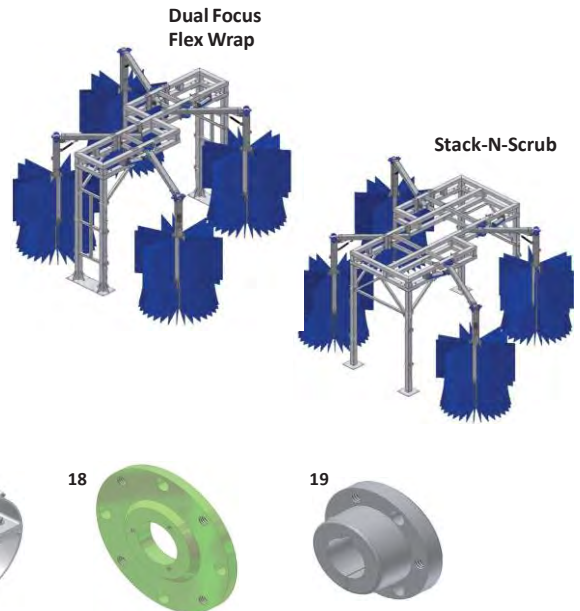
ITEM	PART NO.	DESCRIPTION
1	366066	Hydraulic Motor
2	367063	Spring
3	144729	Shock
	810728	Spring & Shock Assembly
4	363262	1/4" Plastic Jet
5	760884	21" Panel Insert
	760892	28" Panel Insert
	760900	35" Panel Insert
6	763003	21" Core
	800151	28" Core
	763037	35" Core
7	766964	Plastic Cover
8	286633	Drive Flange
9	176875	1" Split Taper Bushing
10	010405	1-1/2" Pillow Block Bearing

FLEX WRAPS

FREESTANDING BRUSHES



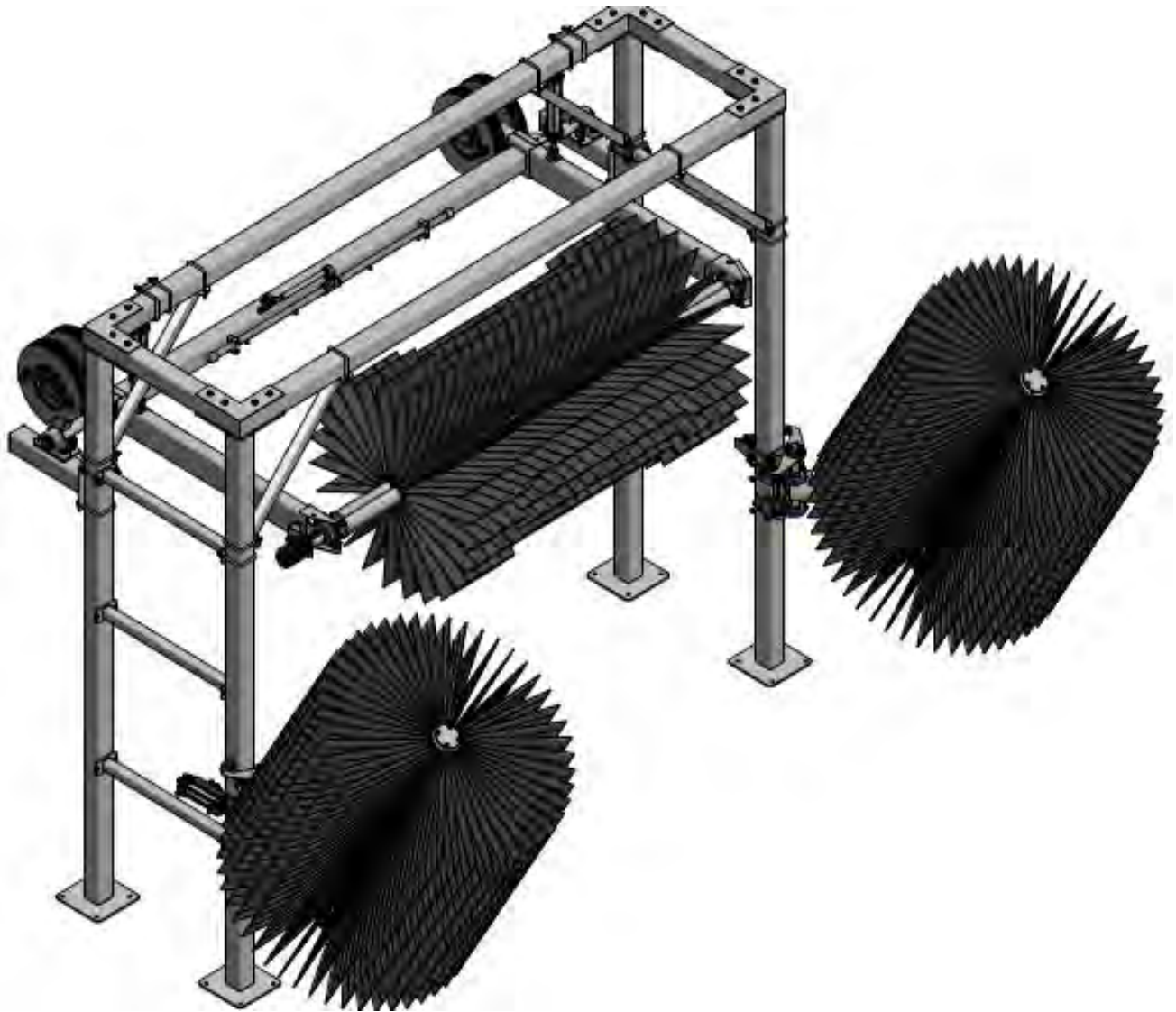
ITEM	PART NO.	DESCRIPTION
1	010405	1-1/2" Pillow Block Bearing
2	367094	1/2" Rod End Bearing
3	366897	2 X 10 Cylinder
	366898	2 X 8 Cylinder
4	368105	Gas Charged Shock
5	366991	Rubber Bumper
6	144261	Shock Absorber
7	814023	Drive Collar
8	365104	Cotter Pin
9	366067	Hydraulic Motor
10	814022	Bearing Tube
11	010504	1-1/2" Cartridge Bearing
12	813537	1-1/2" Brush Shaft
13	809604	8" Stabilizer
14	807391	Upper Core
15	813863	Upper Cloth Insert
16	763029	Lower Core
17	760892	Lower Cloth Insert
18	807327	8" Split Flange
19	159459	Flange
20	753723	1-1/2" Taper Block Bearing
21	814011	Gimbal Weldnut

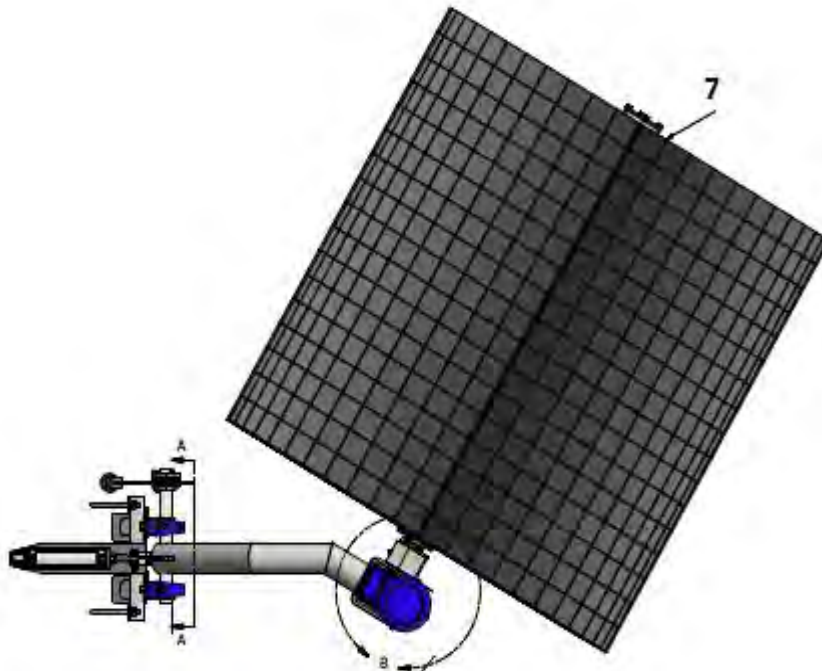
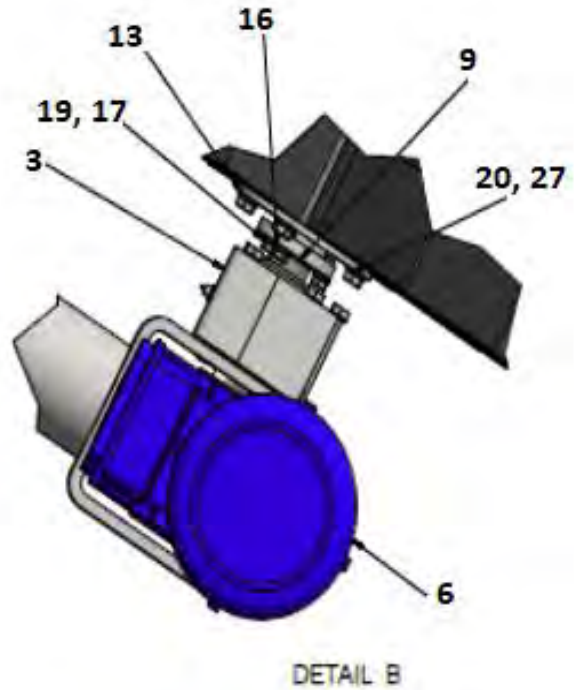
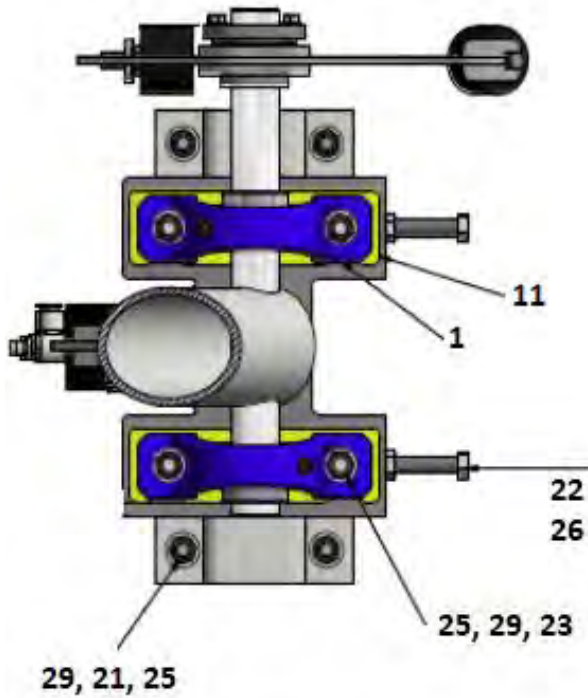


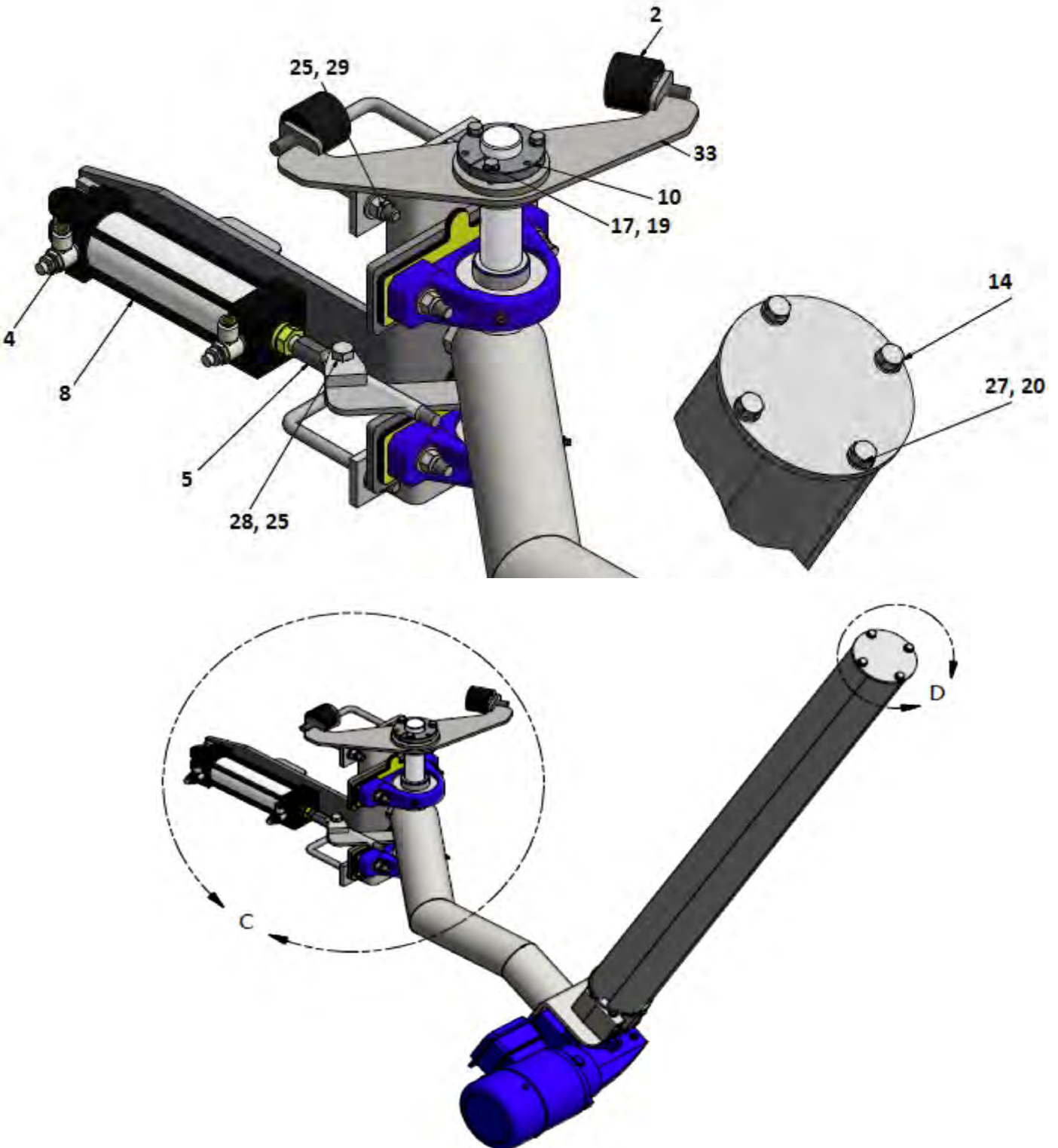


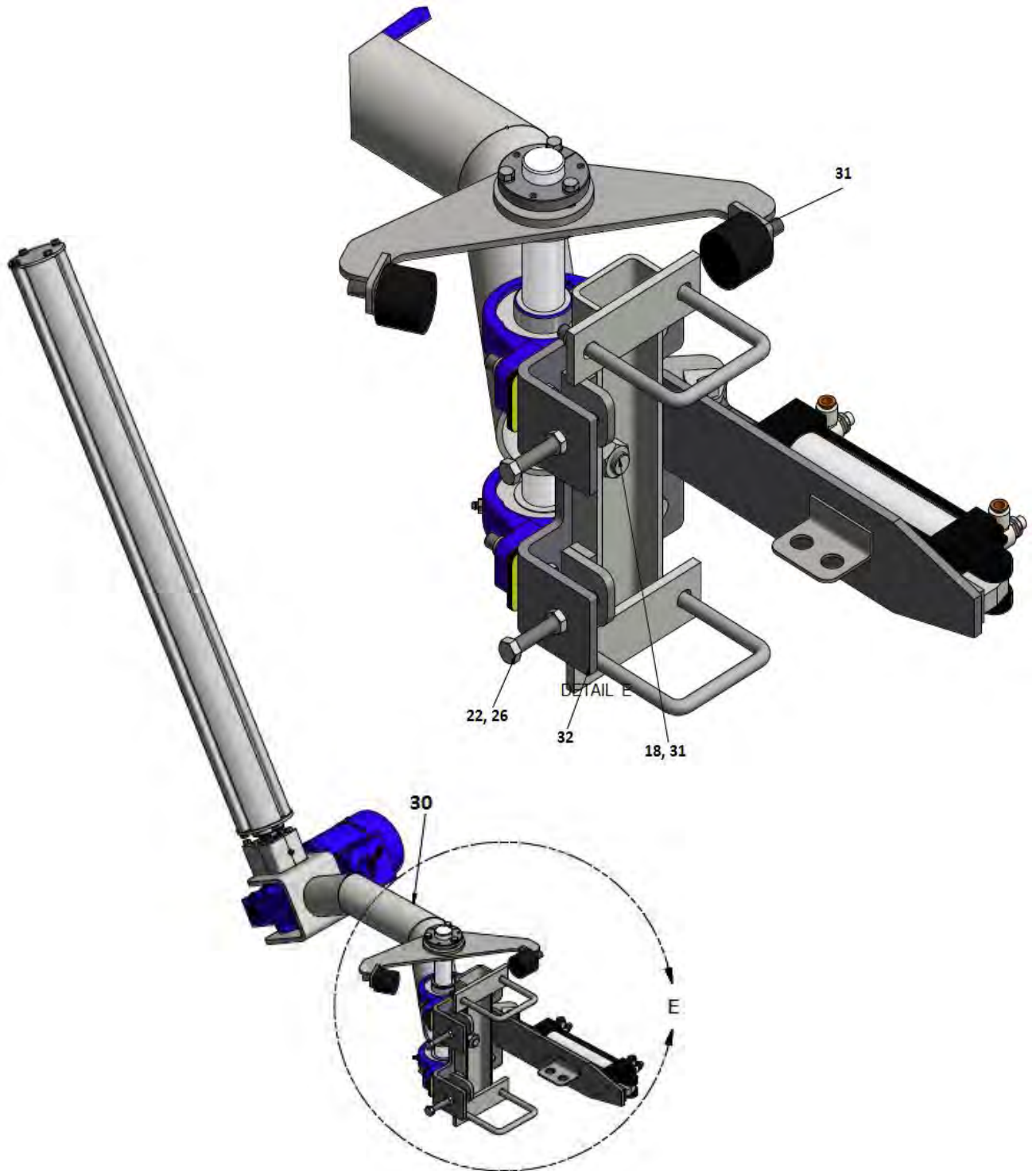
DRY & BUFF /GLEAM MACHINE

FREESTANDING BRUSHES

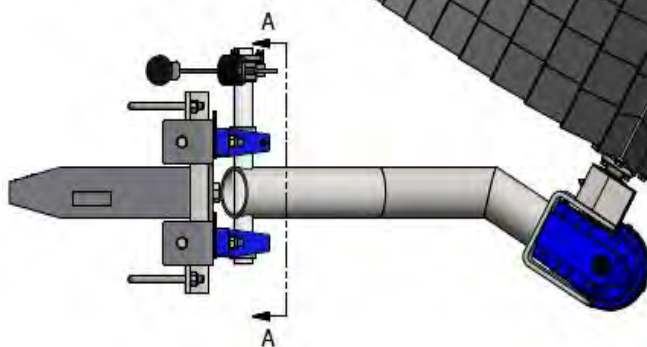
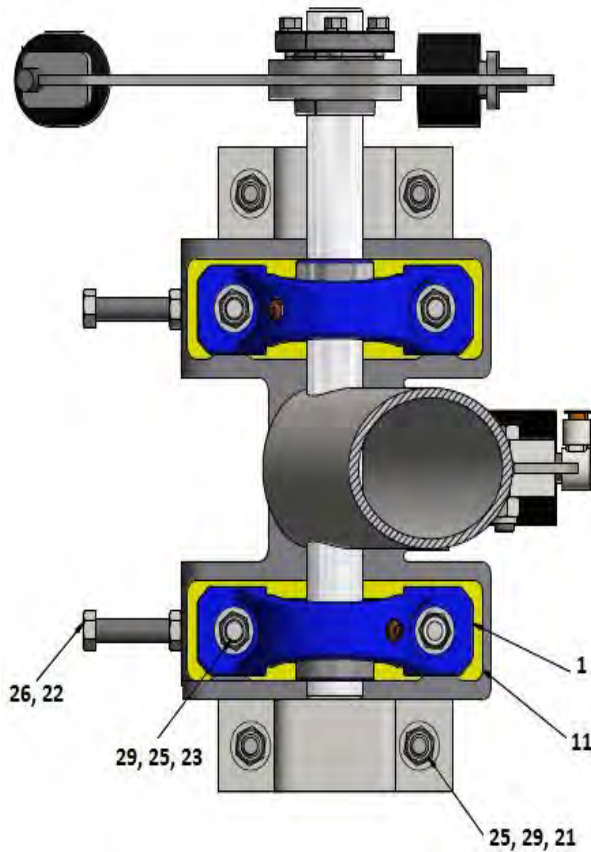






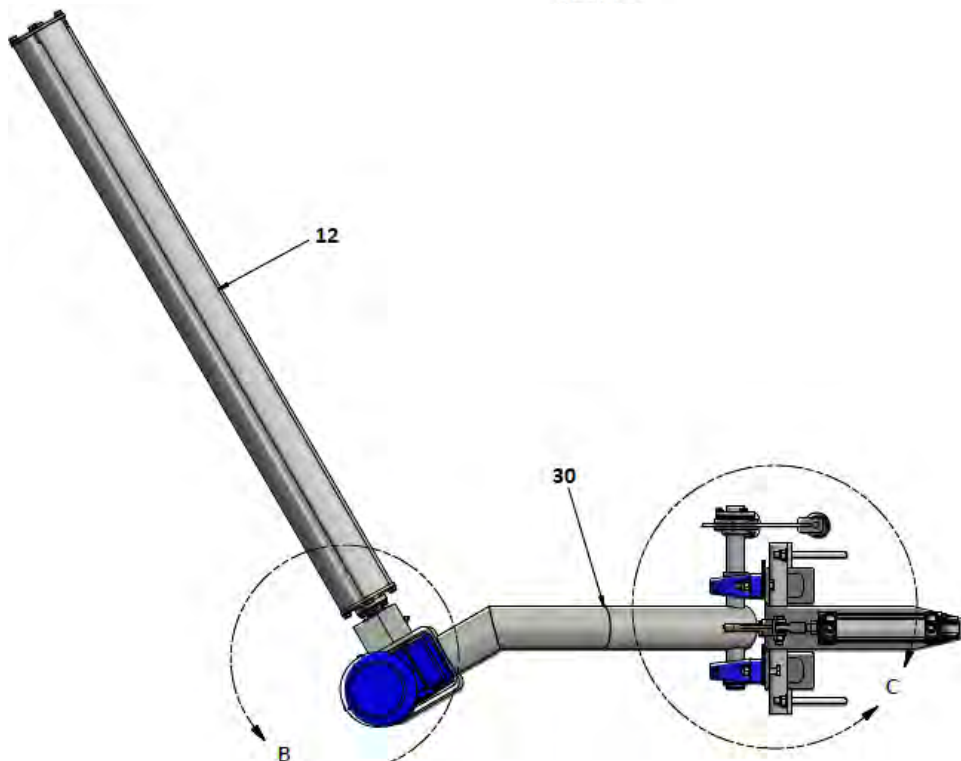
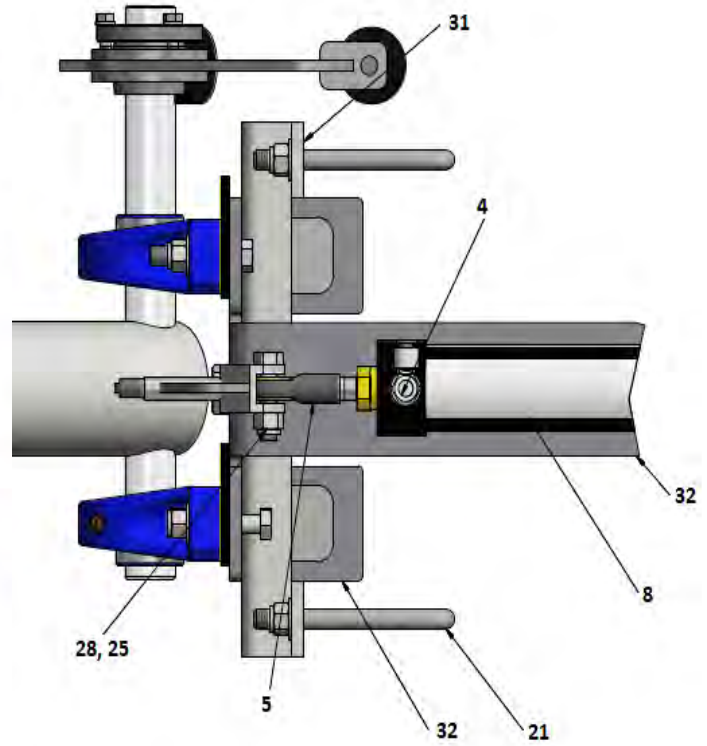
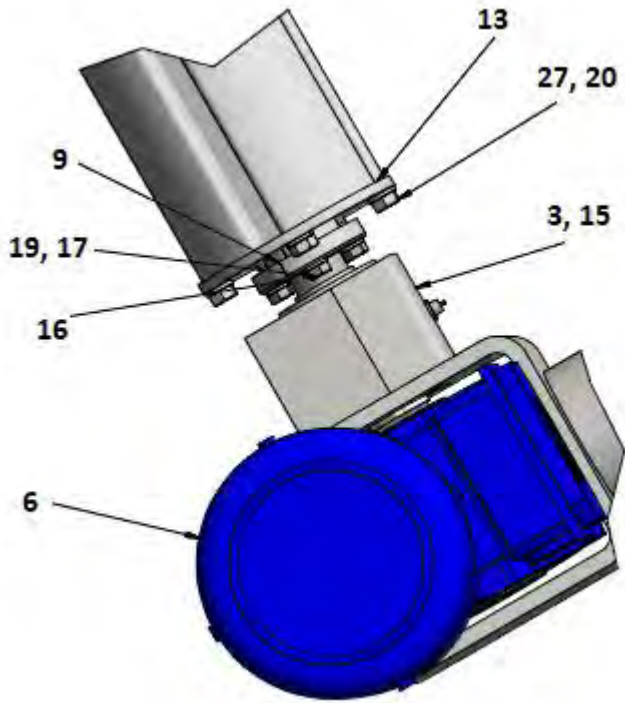


87	H365379	SCR HEX CAP SS 3/8"-16 UNC X 3-1/4"	4
33	H817209	PIVOT ARM WELDMENT	1
32	H817208	PIVOT BRACKET WELDMENT	1
31	H817200	MOUNTING BRACKET	1
30	H816904	ARM WELDMENT PS	1
29	H623033	WSHR FLAT SS 1/2"	8
28	H622963	SCR HEX CAP SS 1/2"-13 UNC X 2"	1
27	H622945	SCR HEX CAP SS 3/8"-16 UNC X 1-1/4"	8
26	H622715	NUT HEX JAM SS 1/2"-13 UNC	4
25	H622709	NUT ESNA HEX SS 1/2"-13 UNC	9
24	H622703	NUT HEX JAM SS 1/2"-20 UNF	2
23	H368400	SCR HEX CAP SS 1/2"-13 UNC X 2-3/4"	4
22	H366702	SCR HEX CAP SS 1/2"-13 UNC X 4" - FULL THD	2
21	H363057	BOLT U SQ SS 1/2"-13 UNC X 4" X 5-1/2"	2
20	H362805	WSHR SPLT LOCK SS 3/8"	8
19	H362569	WSHR SPLT LOCK SS 5/16"	6
18	H362162	SCR HEX CAP SS 3/4"-10 UNC X 1-1/2"	1
17	H362153	SCR HEX CAP SS 5/16"-18 UNC X 1-1/2"	6
16	H817242	PIPE SPACER	1
15	H816888	DRIVE SHAFT	1
14	H816868	MOUNTING FLANGE	1
13	H816856	MOUNTING FLANGE	1
12	H816855	BRUSH CORE EXTRUSION	1
11	H810110	BEARING SHIM	14
10	H753723	BSHG TL 1-1/2" W/O KEYWAY	1
9	H176875	BUSHING TAPERLOCK 1"	1
8	H370158	CYL PNEUMATIC 2" X 6"	2
7	H370155	DRYTEX BRUSH SEGMENT - 52" (U996-100)	17
6	H370146	NORD ELECTRIC GEAR MOTOR 1 HP	1
5	H370119	1/2"-UNF ROD END	1
4	H368068	FITTING, FLOW CONTROL , 3/8 POLY X NPT	2
3	H367805	OVERHUNG LOAD ADAPTER	1
2	H091363	STOP RUBBR 2" DIA X 1 5/8" LONG	2
1	H010439	BRG PILLOW BLOCK 1-1/2"	2
ITEM	PART NO.	DESCRIPTION	QTY



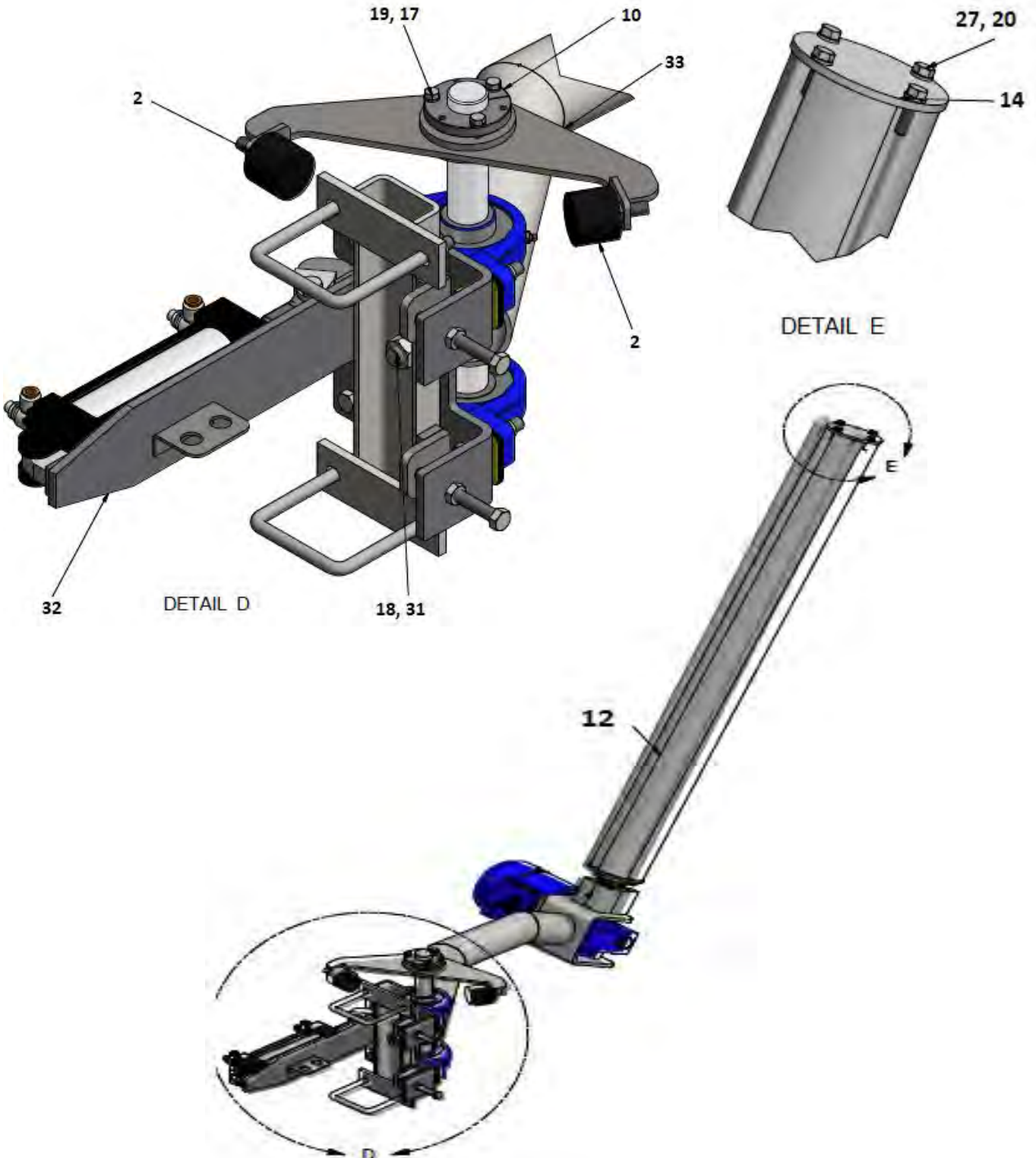
DRY & BUFF /GLEAM MACHINE- SIDE SRUSH (DS) ELECTRIC

FREESTANDING



DRY & BUFF /GLEAM MACHINE- SIDE SRUSH (DS) ELECTRIC

FREESTANDING



DRY & BUFF /GLEAM MACHINE- SIDE SRUSH (DS) ELECTRIC

PARTS LIST

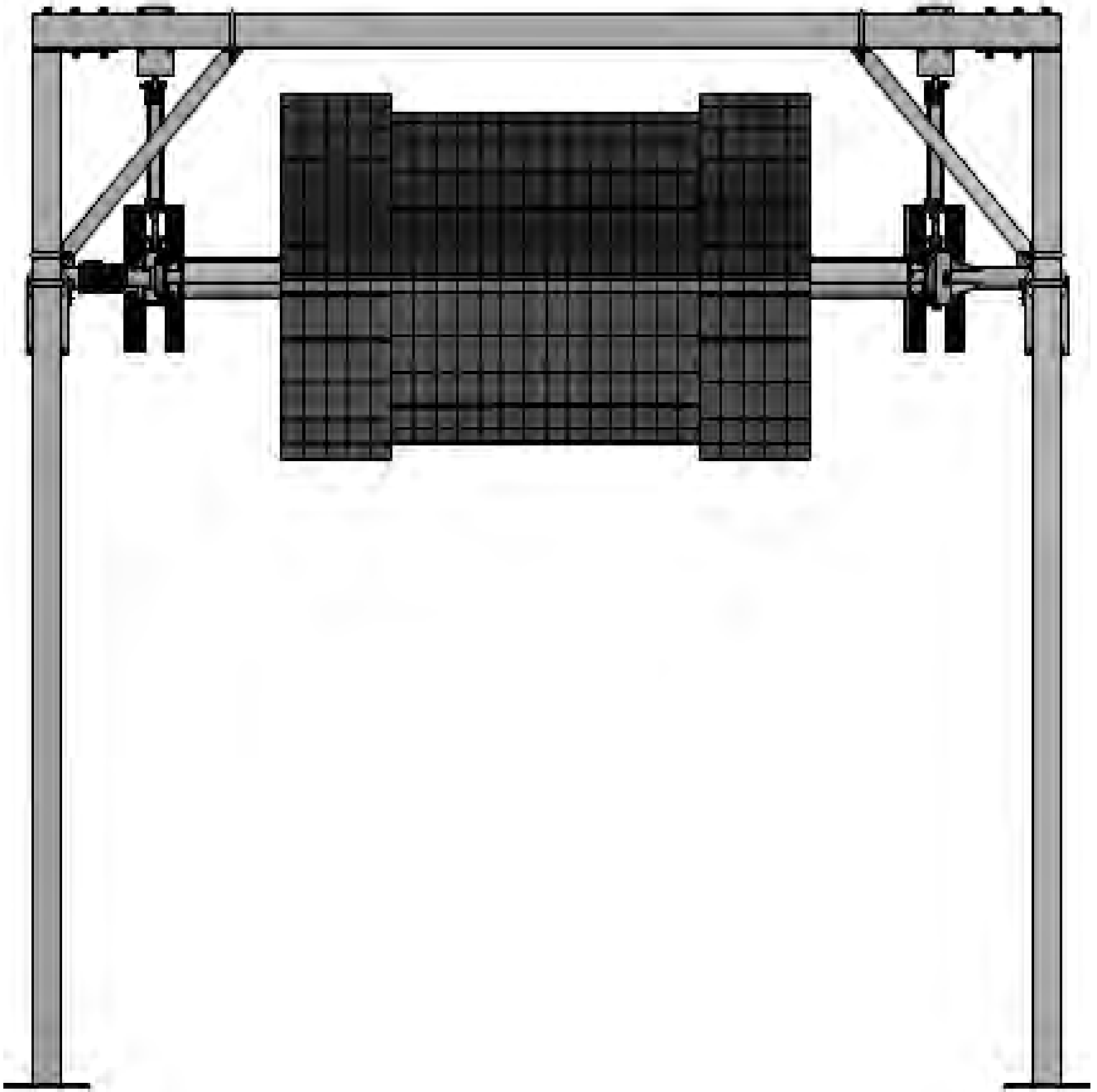
90	H817578		1
89	H817577	KEY, 1/4 X 1-1/4	1
33	H817209	PIVOT ARM WELDMENT	1
32	H817208	PIVOT BRACKET WELDMENT	1
31	H817200	MOUNTING BRACKET	1
30	H816905	ARM WELDMENT DS	1
29	H623033	WSHR FLAT SS 1/2"	8
28	H622963	SCR HEX CAP SS 1/2"-13 UNC X 2"	1
27	H622945	SCR HEX CAP SS 3/8"-16 UNC X 1-1/4"	8
26	H622715	NUT HEX JAM SS 1/2"-13 UNC	4
25	H622709	NUT ESNA HEX SS 1/2"-13 UNC	9
24	H622703	NUT HEX JAM SS 1/2"-20 UNF	2
23	H368400	SCR HEX CAP SS 1/2"-13 UNC X 2-3/4"	4
22	H366702	SCR HEX CAP SS 1/2"-13 UNC X 4" - FULL THD	2
21	H363057	BOLT U SQ SS 1/2"-13 UNC X 4" X 5-1/2"	2
20	H362805	WSHR SPLT LOCK SS 3/8"	8
19	H362569	WSHR SPLT LOCK SS 5/16"	6
18	H362162	SCR HEX CAP SS 3/4"-10 UNC X 1-1/2"	1
17	H362153	SCR HEX CAP SS 5/16"-18 UNC X 1-1/2"	6
16	H817242	PIPE SPACER	1
15	H816888	DRIVE SHAFT	1
14	H816868	MOUNTING FLANGE	1
13	H816856	MOUNTING FLANGE	1
12	H816855	BRUSH CORE EXTRUSION	1
11	H810110	BEARING SHIM	14
10	H753723	BSHG TL 1-1/2" W/O KEYWAY	1
9	H176875	BUSHING TAPERLOCK 1"	1
8	H370158	CYL PNEUMATIC 2" X 6"	2
7	H370155	DRYTEX BRUSH SEGMENT - 52" (U996-100)	17
6	H370147	NORD ELECTRIC GEAR MOTOR 1 HP	1
5	H370119	1/2"-UNF ROD END	1
4	H368068	FITTING, FLOW CONTROL , 3/8 POLY X NPT	2
3	H367805	OVERHUNG LOAD ADAPTER	1
2	H091363	STOP RUBBR 2" DIA X 1 5/8" LONG	2
1	H010439	BRG PILLOW BLOCK 1-1/2"	2
ITEM	PART NO.	DESCRIPTION	QTY
Parts List			

36	H817209	PIVOT ARM WELDMENT	1
35	H817200	MOUNTING BRACKET	1
34	H817208	PIVOT BRACKET WELDMENT	1
33	H817195	ARM WELDMENT, HYD P/S	1
32	H366702	SCR HEX CAP SS 1/2"-13 UNC X 4" - FULL THD	2
31	H622715	NUT HEX JAM SS 1/2"-13 UNC	4
30	H622729	NUT HEX JAM SS 3/4"-10 UNC	2
29	H363482	FTG BKHD UNION 1/2" MJIC X 1/2" MJIC	2
28	H366968	FTG HYD INLINE SWIVEL 1/2" FJIC X 1/2" MJIC	2
27	H362162	SCR HEX CAP SS 3/4"-10 UNC X 1-1/2"	1
26	H622703	NUT HEX JAM SS 1/2"-20 UNF	2
25	H622945	SCR HEX CAP SS 3/8"-16 UNC X 1-1/4"	8
24	H362805	WSHR SPLT LOCK SS 3/8"	8
23	H622963	SCR HEX CAP SS 1/2"-13 UNC X 2"	1
22	H368400	SCR HEX CAP SS 1/2"-13 UNC X 2-3/4"	4
21	H623033	WSHR FLAT SS 1/2"	8
20	H622709	NUT ESNA HEX SS 1/2"-13 UNC	9
19	H363057	BOLT U SQ SS 1/2"-13 UNC X 4" X 5-1/2"	2
18	H362153	SCR HEX CAP SS 5/16"-18 UNC X 1-1/2"	6
17	H362569	WSHR SPLT LOCK SS 5/16"	6
16	H817242	PIPE SPACER	1
15	H753723	BSHG TL 1-1/2" W/O KEYWAY	1
14	H810110	BEARING SHIM	14
13	H816868	MOUNTING FLANGE	1
12	H176875	BUSHING TAPERLOCK 1"	1
11	H816856	MOUNTING FLANGE	1
10	H816855	BRUSH CORE EXTRUSION	1
9	H366911	FTG HYD 7/8"-14 O-RING X 1/2" TU A-LOK	2
8	H091363	STOP RUBBR 2" DIA X 1 5/8" LONG	2
7	H366067	MTR HYD PARKER # TE0230FS100AAAA	1
6	H368068	FITTING, FLOW CONTROL , 3/8 POLY X NPT	2
5	H367805	OVERHUNG LOAD ADAPTER	1
4	H370158	CYL PNEUMATIC 2" X 6"	2
3	H370119	1/2"-UNF ROD END	1
2	H370155	DRY TEX BRUSH SEGMENT (U643-100)	17
1	H010439	BRG PILLOW BLOCK 1-1/2"	2
ITEM	PART NO.	DESCRIPTION	QTY



DRY & BUFF /GLEAM MACHINE- TOP SRUSH

FREESTANDING

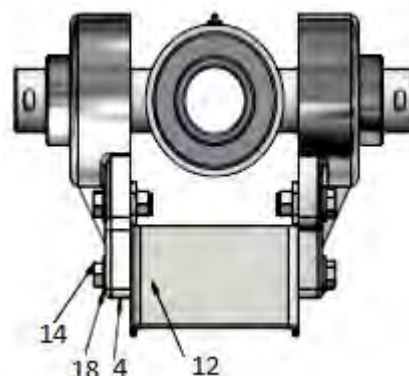
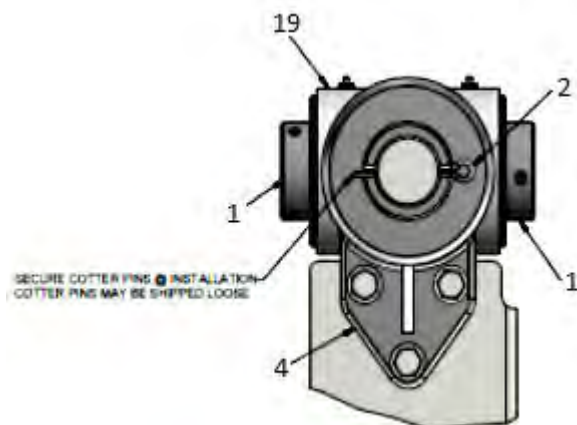
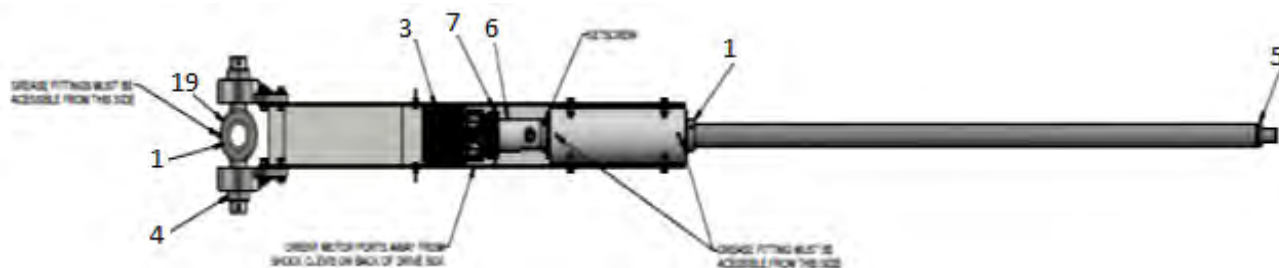


DRY & BUFF /GLEAM MACHINE- TOP SRUSH

PARTS LIST

48	H815235	0	GREASE COVER WELDMENT	1
47	H815125	0	ARM WELDMENT	1
46	H815019	0	DRIVE SHAFT WELDMENT - HYDRAULIC	1
45	H814980	0	CYLINDER MOUNT	2
44	H814937	0	IDLER SHAFT WELDMENT	1
43	H814820	0	PIVOT BEARING SUPPORT	2
42	H623043	-	WSHR FLAT SS 1/2"	4
41	H623042	-	WSHR FLAT SS 1/4"	4
40	H623041	-	WSHR FLAT SS 3/4"	8
39	H623033	-	WSHR FLAT SS 1/2"	40
38	H622964	-	SCR HEX CAP SS 1/2"-13 UNC X 1 3/4"	8
37	H622963	-	SCR HEX CAP SS 1/2"-13 UNC X 2"	2
36	H622958	-	SCR HEX CAP SS 1/2"-13 UNC X 3"	6
35	H622949	-	SCR HEX CAP SS 3/8"-16 UNC X 1"	4
34	H622945	-	SCR HEX CAP SS 3/8"-16 UNC X 1-1/4"	8
33	H622942	-	SCR HEX CAP SS 1/4"-20 UNC X 1 1/4"	4
32	H622934	-	SCR HEX CAP SS 1/2"-13 UNC X 1 1/2"	2
31	H622713	-	NUT ESNA HEX SS 3/4"-10 UNC	8
30	H622709	-	NUT ESNA HEX SS 1/2"-13 UNC	28
29	H367486	-	FTG HYD 7/8"-14 O-RING X 1/2" MJIC	2
28	H363057	1	BOLT U SQ SS 1/2"-13 UNC X 4" X 5-1/2"	6
27	H362806	-	WSHR SPLT LOCK SS 1/2"	8
26	H362805	-	WSHR SPLT LOCK SS 3/8"	12
25	H362795	-	NUT HEX SS 1/2-13 UNC	8
24	H343475	-	SCR TEK 1/4" X 3/4"	4
23	H815219	0	COUNTERWEIGHT COVER	4
22	H815218	0	COUNTERWEIGHT	28
21	H815131	0	VINYL BACKING - BLACK	2
20	H815130	1	HANNA NAMEPLATE	2
19	H815120	0	THREADED ROD S/S 3/4-10 UNC X 12" LONG	4
18	H815000	0	BUMPER STOP MOUNT	2
17	H814995	0	HYD MOTOR MOUNT PLATE SS	1
16	H814732	1	BRUSH CORE EXTRUSION	1
15	H370011	-	DRYTEX BRUSH SEGMENT - 3 1/8 X 40 (U765)	14
14	H370010	-	DRYTEX BRUSH SEGMENT - 3 1/8 X 43 (U542)	10
13	H368163	1	SINGLE CLAMP - 1 5/16" HOLE	2
12	H367189	-	FITTING, FLOW CONTROL , 1/4 POLY X 3/8 NPT	4
11	H367094	-	BEARING, ROD END 1/2"-20 UNF	2
10	H366906	-	MTR HYD PARKER # TE0130FS100AAAA	1
9	H366897	-	CYL PNEUMATIC 2" X 10"	2
8	H366896	-	BRG PB 1-1/2" NI PL REX # MEP-21074	2
7	H228536	-	BUMPER STOP, 1-1/2" X 1-1/4" X 1/2-13 UNC	4
6	H010363	-	1 1/2" FOUR BOLT FLANGE BEARING	2
5	H817365	0	4 LEG FRAME	1
4	H815039	0	TOP BRUSH CONTROL PANEL(not shown)	1
3	H815035	0	SPRAY MANIFOLD ASSY	1
2	H814262	0	INLINE FOAM GENERATOR	1
1	H231753	1	SPLIT COUPLING ASSY	1
TEMP	PART NO.	REV	DESCRIPTION	QTY

FOCUS FLEX WRAP-TUBE & SHAFT ASSEMBLY- OLD VERSION



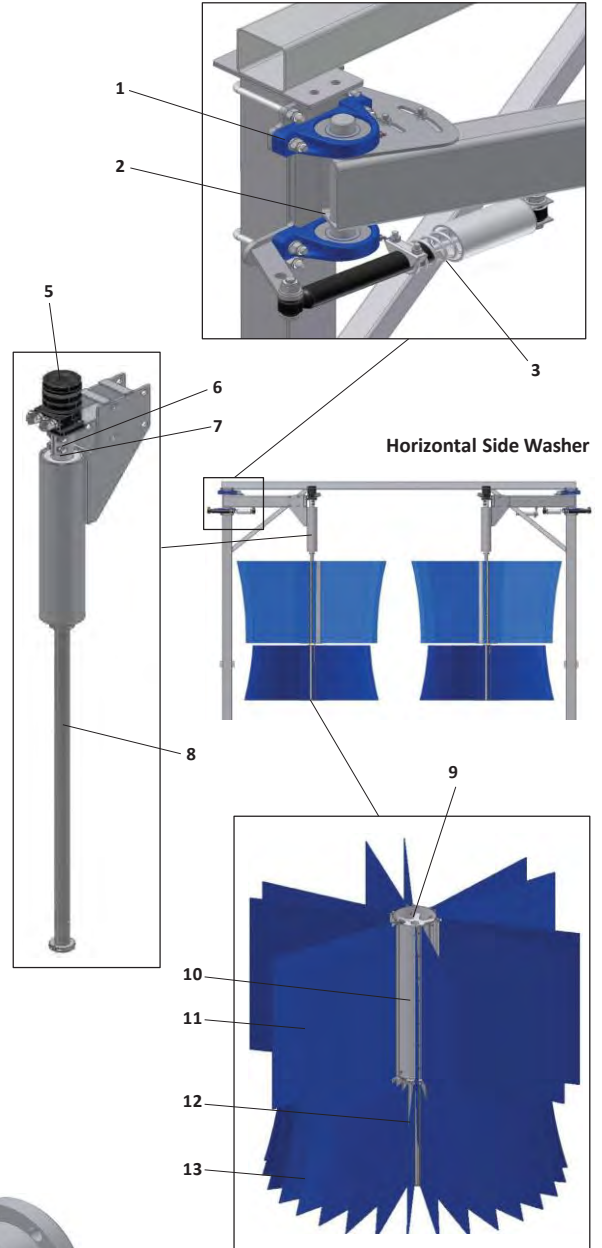
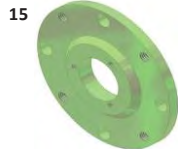
21	H814219	0	DRIVE BOX WELDMENT	1
20	H814022	1	BEARING TUBE WELDMENT	1
19	H814011	1	GIMBAL WELDMENT	1
18	H623040	-	WSHR FLAT SS 3/8"	6
17	H623033	-	WSHR FLAT SS 1/2"	2
16	H622958	-	SCR HEX CAP SS 1/2"-13 UNC X 3"	1
15	H622949	-	SCR HEX CAP SS 3/8"-16 UNC X 1"	12
14	H622945	-	SCR HEX CAP SS 3/8"-16 UNC X 1-1/4"	6
13	H622939	-	SCR HEX CAP SS 1/4"-20 UNC X 1"	2
12	H622710	-	NUT ESNA HEX SS 3/8-16 UNC	14
11	H622709	-	NUT ESNA HEX SS 1/2"-13 UNC	1
10	H622708	-	NUT ESNA HEX SS 1/4"-20 UNC	2
9	H367339	0	FTG HYD 90-DEG ELL #10 SAE X #8 JIC	2
8	H026021	-	FTG ZERK 1/4"-28 TAPER THREAD	4
7	H814026	1	TORQUE PLATE	1
6	H814023	2	DRIVE COUPLING	1
5	H813537	1	SHAFT	1
4	H368037	-	BEARING 1 1/2", 3-HOLE FLANGE	2
3	H366067	-	MTR HYD PARKER # TE0230FS100AAAA	1
2	H365104	-	PIN COTTER SS 1/4" X 2"	2
1	H010504	-	BEARING INSERT 1-1/2"	4
ITE	PART NO	REV	DESCRIPTION	QTY

HORIZONTAL & ANGLED SIDE BRUSHES

FREESTANDING BRUSHES

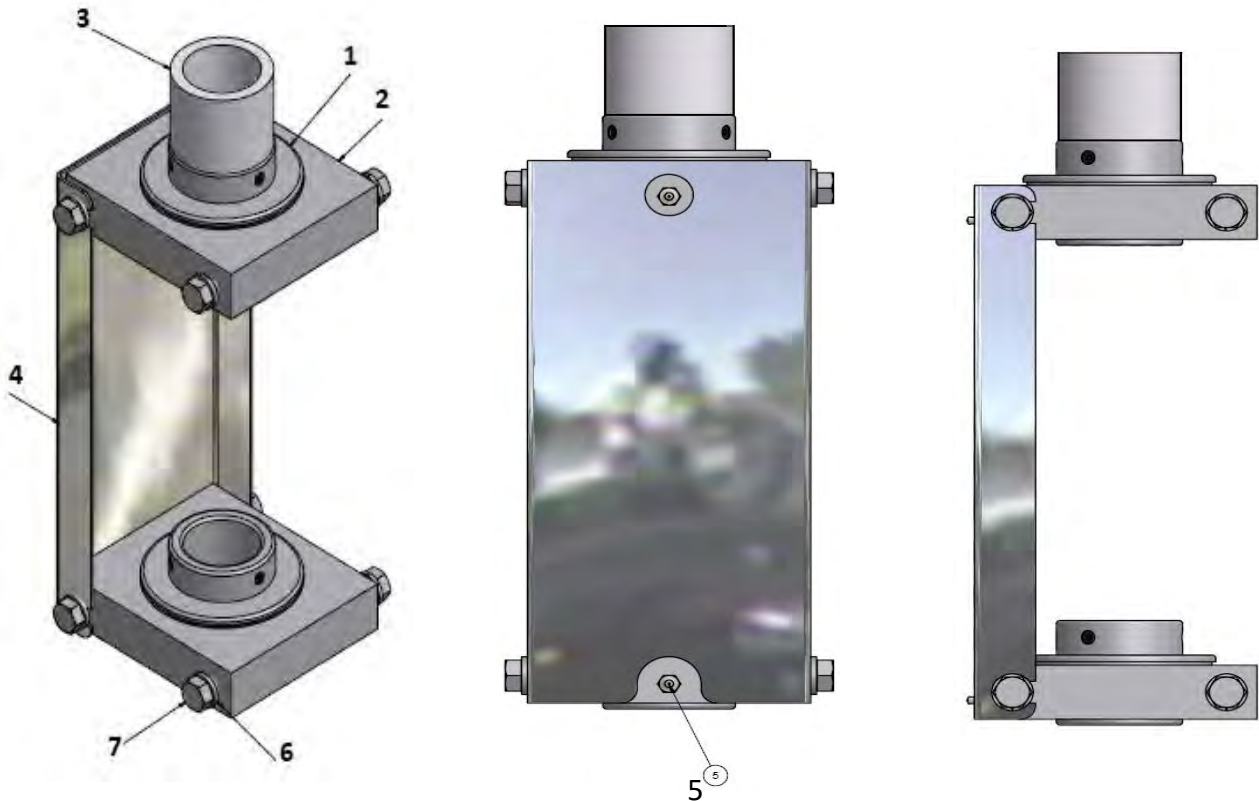
ITEM	PART NO.	DESCRIPTION
1	010405	1-1/2" Pillow Block Bearing
2	228536	Rubber Stopper
3	144729	Shock Absorber
	367063	HSW Shock Absorber Spring
	810728	Spring & Shock Absorber Assembly
4	363262	1/4" Plastic Jet
5	366067	Hydraulic Motor
6	231753	Split Coupling
7	367929	1-1/2" Cartridge Bearing
8	813537	1-1/2" Brush Shaft
9	809604	8" Stabilizer
10	807391	Upper Core
11	813863	Upper Cloth Insert
12	763029	Lower Core
13	760892	Lower Cloth Insert
14	807327	8" Split Flange
15	159459	Flange
16	753723	1-1/2" Taper Block Bearing

Angled Side Washer



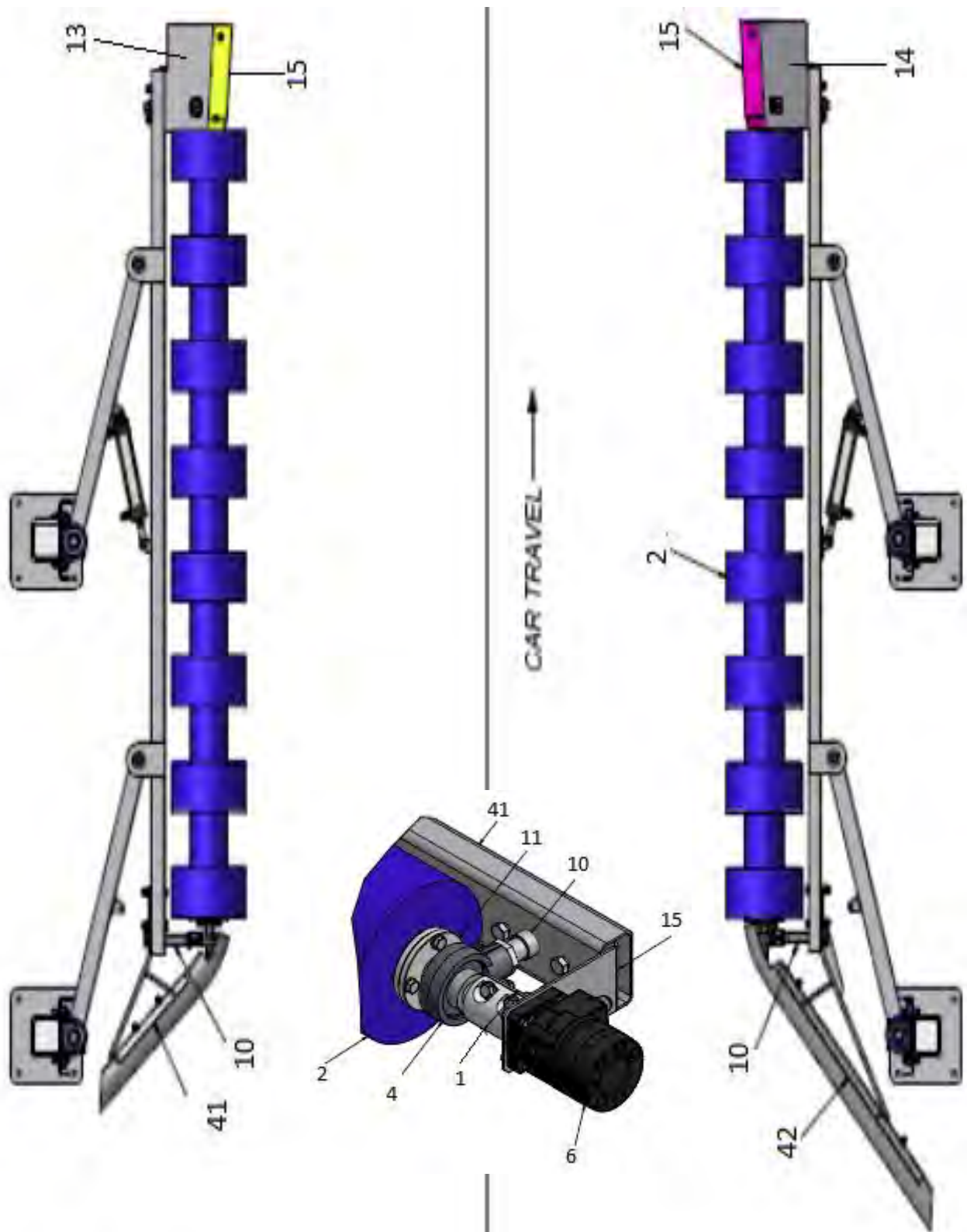
FLEX WRAP BEARING CONVERSION KIT

FREESTANDING BRUSHES



7	H622949	-	SCR HEX CAP SS 3/8"-16 UNC X 1"	8
6	H362805	-	WSHR SPLT LOCK SS 3/8"	8
5	H026005	-	FTG ZERK 1/8"-28 NPT STRAIGHT	2
4	H815494	0	DRIVE COVER	1
3	H815362	0	SPACER	1
2	H815360	1	BEARING HOUSING	2
1	H010504	-	BEARING INSERT 1-1/2"	2
ITE	PART NO	REV	DESCRIPTION	QTY

STEPPED BRUSH TIRE WASHER

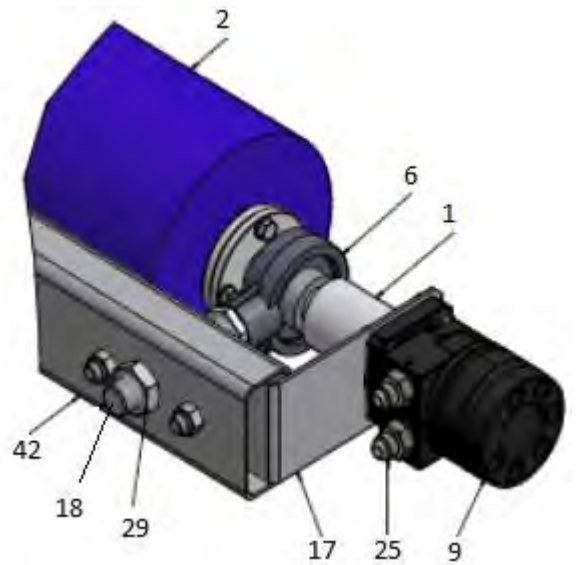
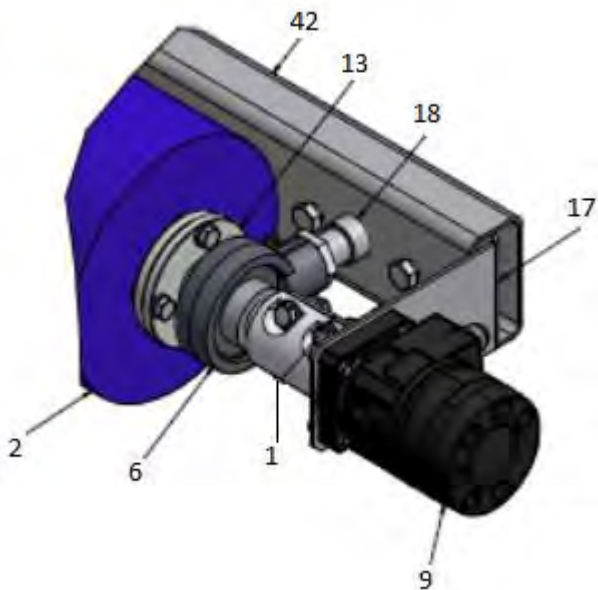
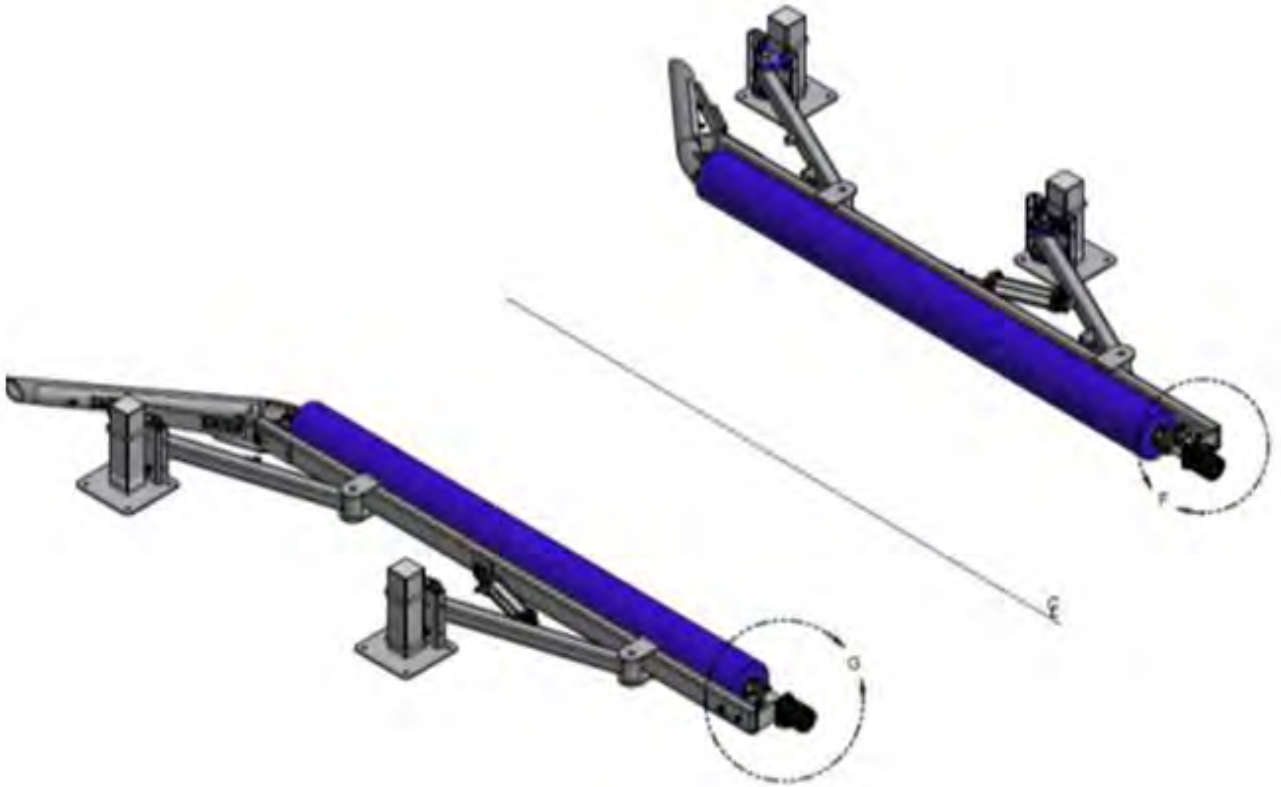




STEPPED BRUSH TIRE WASHER- PARTS LIST

44	H814223	0	BUMPER WELDMENT - PASSENGER'S SIDE	1
43	H814220	0	BUMPER WELDMENT - DRIVER'S SIDE	1
42	H814171	4	ARM WELDMENT	4
41	H814036	2	BRUSH BAR WELDMENT	2
40	H812910	0	POST WELDMENT F/S	4
39	H802032	4	BRUSH BAR PIN	4
38	H623040	-	WSHR FLAT SS 3/8"	8
37	H623033	-	WSHR FLAT SS 1/2"	16
36	H622963	-	SCR HEX CAP SS 1/2"-13 UNC X 2"	2
35	H622958	-	SCR HEX CAP SS 1/2"-13 UNC X 3"	4
34	H622949	-	SCR HEX CAP SS 3/8"-16 UNC X 1"	16
33	H622945	-	SCR HEX CAP SS 3/8"-16 UNC X 1-1/4"	4
32	H622935	-	SCR HEX CAP SS 1/2"-13 UNC X 2 1/4"	4
31	H622932	-	SCR HEX CAP SS 1/2"-13 UNC X 2-1/2"	2
30	H622723	-	NUT HEX JAM SS 1-12 UNF	4
29	H622710	-	NUT ESNA HEX SS 3/8-16 UNC	4
28	H622709	-	NUT ESNA HEX SS 1/2"-13 UNC	44
27	H367486	-	FTG HYD 7/8"-14 O-RING X 1/2" MJIC	4
26	H365740	-	SCREW ALLEN SS FLAT HEAD 3/8-16 UNC X 3/4	4
25	H363437	-	SCR HEX CAP SS 1/2"-13 UNC X 2-1/4"	16
24	H363057	1	BOLT U SQ SS 1/2"-13 UNC X 4" X 5-1/2"	8
23	H362805	-	WSHR SPLT LOCK SS 3/8"	16
22	H058511	-	NUT MALLEABLE 3/4"-14 NPSM	4
21	H815442	0	MOTOR COVER BUMPER	1
20	H815432	0	MOTOR COVER BUMPER	1
19	H815269	1	IMPROVED MOTOR COVER - D/S	1
18	H815268	1	IMPROVED MOTOR COVER - P/S	1
17	H814167	0	PIPE SPACER	4
16	H810939	4	MOUNTING PLATE - PIVOT BEARING	4
15	H809785	2	MOTOR MOUNT	2
14	H802128	2	PVC BUMPER DS	1
13	H802127	3	PVC BUMPER PS	1
12	H802042	4	BUSHING	4
11	H247270	8	DRIVE SPINDLE	4
10	H122754	3	BEARING PIN	4
9	H368068	-	FITTING, FLOW CONTROL , 3/8 POLY X NPT	4
8	H367094	-	BEARING, ROD END 1/2"-20 UNF	2
7	H366898	-	CYL PNEUMATIC 2" X 8"	2
6	H366065	-	MOTOR, HYD PARKER #TE0080FS100AAXB	2
5	H361263	-	PIN COTTER SS 3/16" X 1-1/2"	4
4	H058040	-	BEARING, HANGAR 1-1/4"	4
3	H010439	-	BRG PILLOW BLOCK 1-1/2"	8
2	H368324	1	STEPPED BRUSH ASSEMBLY	2
1	H231753	1	SPLIT COUPLING ASSY	2
ITE	PART NO	REV	DESCRIPTION	QTY

HANNA TIRE WASHER

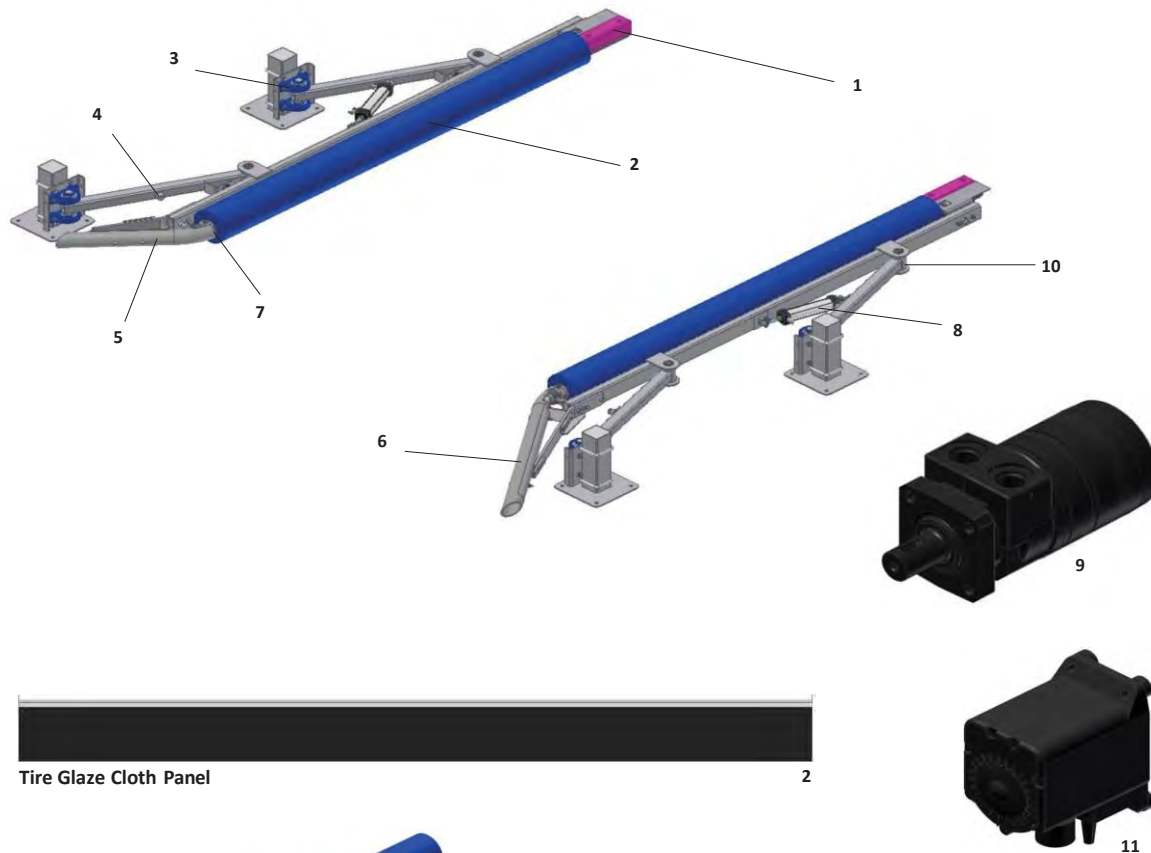


STEPPED BRUSH TIRE WASHER- PARTS LIST

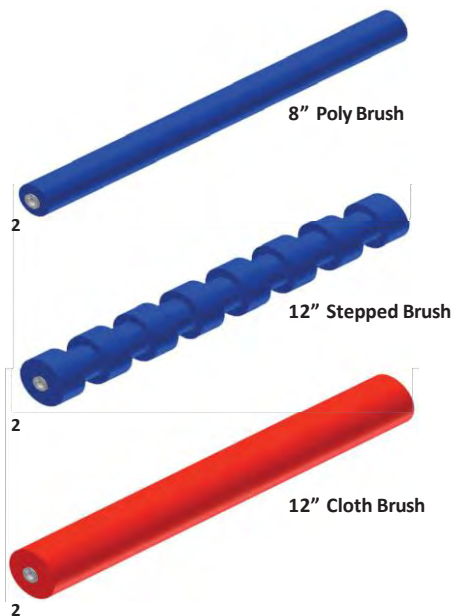
44	H814171	3	ARM WELDMENT	2
43	H814042	3	ARM WELDMENT	2
42	H814036	2	BRUSH BAR WELDMENT	2
41	H812910	0	POST WELDMENT F/S	4
40	H804757	4	TIRE GUIDE WELDMENT DS	1
39	H804740	5	TIRE GUIDE WELDMENT PS	1
38	H802032	4	BRUSH BAR PIN	4
37	H623040	-	WSHR FLAT SS 3/8"	8
36	H623033	-	WSHR FLAT SS 1/2"	16
35	H622963	-	SCR HEX CAP SS 1/2"-13 UNC X 2"	2
34	H622958	-	SCR HEX CAP SS 1/2"-13 UNC X 3"	4
33	H622949	-	SCR HEX CAP SS 3/8"-16 UNC X 1"	24
32	H622945	-	SCR HEX CAP SS 3/8"-16 UNC X 1-1/4"	4
31	H622935	-	SCR HEX CAP SS 1/2"-13 UNC X 2 1/4"	4
30	H622932	-	SCR HEX CAP SS 1/2"-13 UNC X 2-1/2"	2
29	H622723	-	NUT HEX JAM SS 1-12 UNF	4
28	H622710	-	NUT ESNA HEX SS 3/8-16 UNC	4
27	H622709	-	NUT ESNA HEX SS 1/2"-13 UNC	44
26	H622703	-	NUT HEX JAM SS 1/2"-20 UNF	2
25	H367486	-	FTG HYD 7/8"-14 O-RING X 1/2" MJIC	4
24	H363437	-	SCR HEX CAP SS 1/2"-13 UNC X 2-1/4"	16
23	H363057	1	BOLT U SQ SS 1/2"-13 UNC X 4" X 5-1/2"	8
22	H362805	-	WSHR SPLT LOCK SS 3/8"	24
21	H058511	-	NUT MALLEABLE 3/4"-14 NPSM	4
20	H814167	0	PIPE SPACER	4
19	H810939	4	MOUNTING PLATE - PIVOT BEARING	4
18	H804764	5	BEARING PIN	4
17	H04735	3	HYD MOTOR MOUNT PLATE SS	2
16	H802128	2	PVC BUMPER DS	1
15	H802127	3	PVC BUMPER PS	1
14	H802042	4	BUSHING	4
13	H247270	8	DRIVE SPINDLE	4
12	H368068	-	FITTING, FLOW CONTROL , 3/8 POLY X NPT	4
11	H367094	-	BEARING, ROD END 1/2"-20 UNF	2
10	H366898	-	CYL PNEUMATIC 2" X 8"	2
9	H366065	-	MOTOR, HYD PARKER #TE0080FS100AAXB	2
8	H361263	-	PIN COTTER SS 3/16" X 1-1/2"	4
7	H091363	0	STOP RUBBR 2" DIA X 1 5/8" LONG	2
6	H058040	-	BEARING, HANGAR 1-1/4"	4
5	H010439	-	BRG PILLOW BLOCK 1-1/2"	8
4	H811082	1	MOTOR COVER ASSY DS	1
3	H811081	1	MOTOR COVER ASSY PS	1
2	H802125	3	BRUSH ASSY - POLY 96-3/4" LG	2
1	H231753	1	SPLIT COUPLING ASSY	2
ITE	PART NO	REV	DESCRIPTION	QTY

TIRE WASHERS & TIRE GLAZE

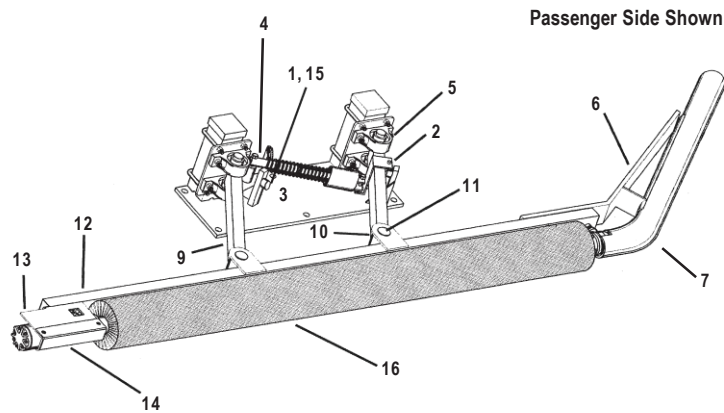
FREESTANDING BRUSHES



Tire Glaze Cloth Panel



ITEM	PART NO.	DESCRIPTION
1	802126	Hannatron Motor Cover
2	813965	Tire Glaze Cloth Panel
	802125	8" Poly Brush
	368324	12" Stepped Brush
	814181	12" Cloth Brush
3	010405	1-1/2" Pillow Block Bearing
4	091363	Rubber Stop
5	802127	Bumper - Passenger's Side
6	802128	Bumper - Driver's Side
7	231753	Split Coupling
8	366898	2 X 8 Cylinder
9	366065	Hydraulic Motor
10	814791	Pivot Arm Bushing
11	363254	Flojet Solution Pump



ITEM	PART NO.	DESCRIPTION
1	802029*	Spring Assembly
2	802035*	Shock Mount Bracket
3	194688*	Rubber Stop $\phi 2'' \times 1-1/4''$ with Stand
4	802028*	Pivot Arm Mount Plate Weldment
5	010439*	Bearing Pillow Block 1-1/2"
6	802122*	Tire Guide Weldment Passenger Side
	802123*	Tire Guide Weldment Driver Side
7	802128*	PVC Bumper Driver Side
	802127*	PVC Bumper Passenger Side
8	361263*	Cottor Pin 3/16" x 1-1/2"
9	802027*	35" Pivot Arm Passenger Side
	802026*	14" Pivot Arm Driver Side
10	802042*	Pivot Arm Bearing
11	802032*	Brush Bar Pin
12	802030*	Brush Bar Weldment Passenger Side or Driver Side
13	802038*	Motor Cover Driver Side
	802037*	Motor Cover Passenger Side
14	802126*	Motor Cover Bumper
15	277756*	Spring
16	802125*	Brush TW 96" Poly
	247270*	Brush Spindle
	231753*	Split Coupling 1" Aluminum
	802131*	Hydraulic Motor Mount Plate
	317156*	Hydraulic Motor 101-1002

* CALL FOR AVAILABILITY

TIRE WASHER TW-2

FREESTANDING BRUSH



058008



732776



732735

PART NO.	DESCRIPTION
244194*	Chemical Jet Assy. Passenger Side
244160*	Chemical Jet Assy. Passenger & Driver Side
732784*	Tire Guide Att. Passenger Side
732776*	Tire Guide Att. Driver Side
732743*	Motor Cover Passenger Side
732735*	Motor Cover Driver Side
720920*	Spindle Shank 2' x 2" Bearing
058024*	Bearing Cup 2" Roller
058008*	Bearing Cone 2" Roller
720904*	Spindle Sleeve
345967*	Washer 2-1/2" O.D. x 3/4" I.D. x 1/4" Thick
010413*	Bearing 1" Ball - SL - 16
228536*	Rubber Stop 1-1/2" x 1-1/2" Lg. W/2-1/2" Stud
724179*	Spring
231753*	Split Coupling Assy. 1" Bore
317156*	Char-Lynn 101-1002
* CALL FOR AVAILABILITY	



247270



247221

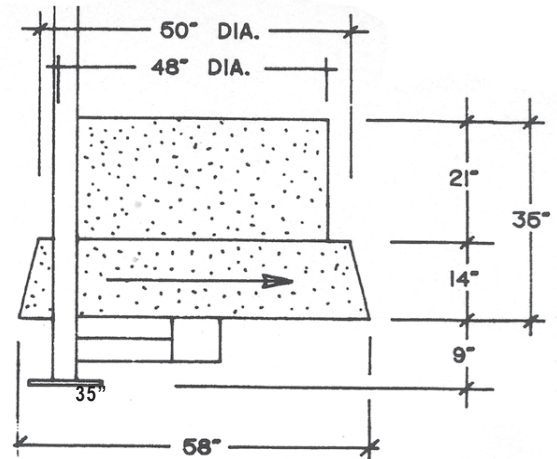
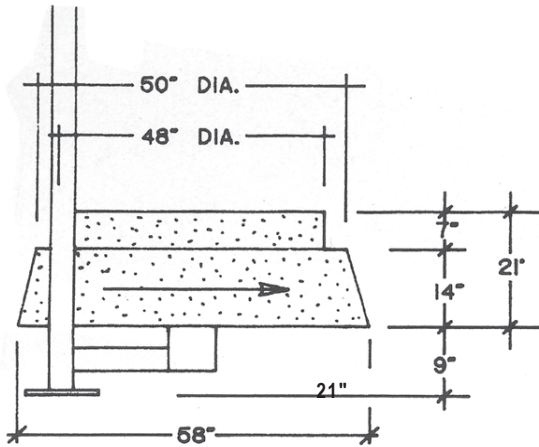


231753

PART NO.	DESCRIPTION
247221*	TW-2 Polypropylene (Blue) 84-1/2" L x 8" Diam.
24722N*	TW-2 Nylon (Black) 84-1/2" L x 8" Diam.
802125*	TW-96 Polypropylene 96"
247270	Tire Wash Brush Spindle
802148*	Retract KitTW-96
231753	Split Coupling 1" Alum.
317156*	Hydraulic Motor Specs. 101-1002
058040	Rod End Bearing 1-1/4" ϕ
057531*	TW-2 Bearing Pin
724179*	TW-2Spring
243873*	Spindle Shank Threaded 1-1/4" x 2" Bearing
243824*	Spindle Shank Threaded 2" x 2"
243840*	Spindle Base8"
253005*	TW Spindle Base Threaded
720912*	TW Spindle Base Non-threaded
* CALL FOR AVAILABILITY	

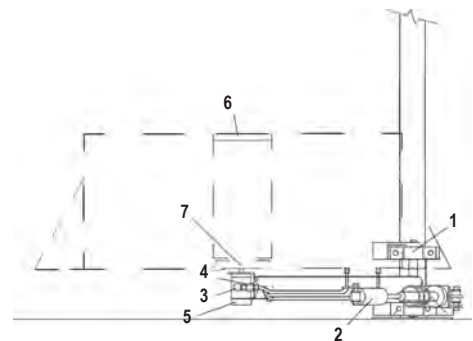
HUBCAP ROCKER PANELS

FREESTANDING BRUSH



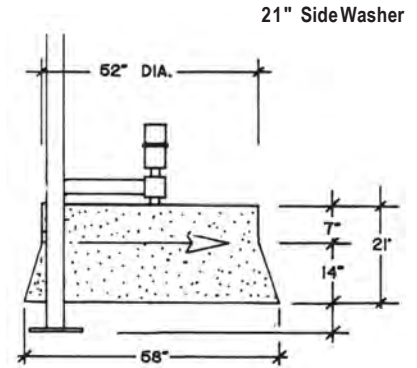
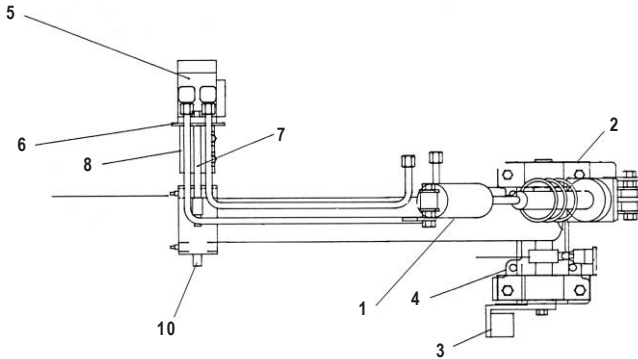
ITEM	PART NO.	DESCRIPTION
1	010439	Pillow Block Bearing 1-1/2"
2	282988*	Spring & Shock Assy.
3	111187*	Ftg. Hydraulic ELL 5435 x 8 x 8
4	014852*	Ftg. Hydraulic ELL 5405 x 8 x 8
5	110247*	Hydraulic Motor 101-1004
6	723007*	Plastic Ring Cover
7	286633*	Drive Flange
	176875*	Taper Lock Bushing 1"
	091363*	Rubber Stop 1-5/8"
	017533*	Cap Screw 5/8" x 2"

* CALL FOR AVAILABILITY



SIDE WASHER

FREESTANDING BRUSH



ITEM	PART NO.	DESCRIPTION
SIDE WASHERS (OLD PRODUCTION)		
1		SW/RP Spring & Shock Assy.
2	010439*	Pillow Block Bearing 1-1/2"
3	733774*	S/W Stop Bracket Passenger Side
3	733766*	S/W Stop Bracket Driver Side
4	248955*	Adjustment Block 1" x 1-3/4" x 1-3/4"
5	110247*	Hydraulic Motor 101-1004
6	227827*	Motor Torque Plate
7	174649*	Torque Rod 1/2" x 10"
8	231753	Motor Coupling Assy. 1"
9	024703*	Retaining Ring N5000-315 (Not Shown)
10	288100*	Drive Spindle
	017533	Cap Screw 5/8" NC x 2"
	091363	Rubber Stop 2" x 1-5/8"
	740803	20"
	740795	36"
* CALL FOR AVAILABILITY		

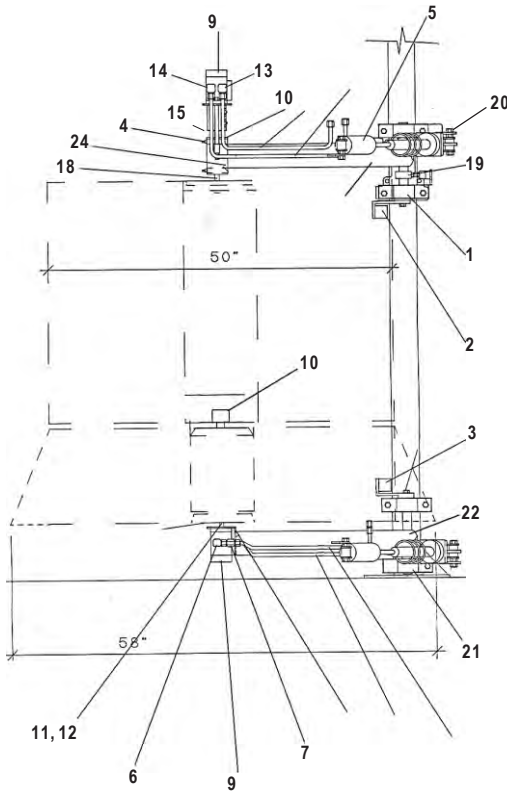


091363



SIDE WINDOW/ROCKER PANEL

FREESTANDING BRUSH

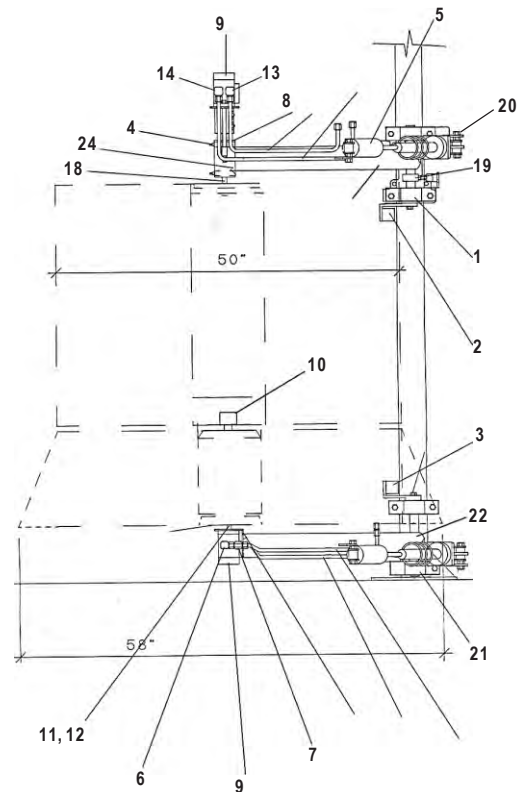


ITEM	PART NO.	DESCRIPTION
SIDE WINDOW/ROCKER PANEL		
1	010439	Pillow Block Bearing 1-1/2"
2	733766*	S/W Stop Bracket Driver Side
	733774*	S/W Stop Bracket Passenger Side
3	763706*	HC/RP Stop Bracket Driver Side
	763987*	HC/RP Stop Bracket Passenger Side
4	026021	Grease Zerk Straight 3/16" x 1/8"
5	282988	SW/RP Spring & Shock Assy.
6	111187	Ftg. Hydraulic ELL 5435 x 8 x 8
7	014852	Ftg. Hydraulic ELL 5405 x 8 x 8
8	248955*	Adjustment Block 1" x 1-3/4" x 1-3/4"
9	110247*	Hydraulic Motor 101-1004
10	719542*	SW/RP Roller Guide Assy.
11	286633	HC/RP Driver Flange
12	176875	Taper Lock Bushing 1"
13	227827*	Motor Base Plate
14	174649*	Torque Rod 1/2" x 10" Lg.
15	231753	Motor Coupling Assy. 1"
16	010504	Bearing ER-241-1/2"
17	024703	Retaining Ring N5000-315
18	288100*	Drive Spindle 11"
19	290973	Cam
20	238113	1/2" x 4" x 6" U Bolt
21	800289	S/W Mounting Plate Driver Side
	800288	S/W Mounting Plate Passenger Side
22	759530	HC/RP Arm Weldment
SIDE WINDOW/ROCKER PANEL – OLD PRODUCTION		
Item	Part No.	Description
8	010504	Bearing ER-241-1/2"
23	733121	SW/RP Arm Weldment
24	290007	Side Washer Head
* CALL FOR AVAILABILITY		

SIDE WINDOW/ROCKER PANEL

FREESTANDING BRUSH

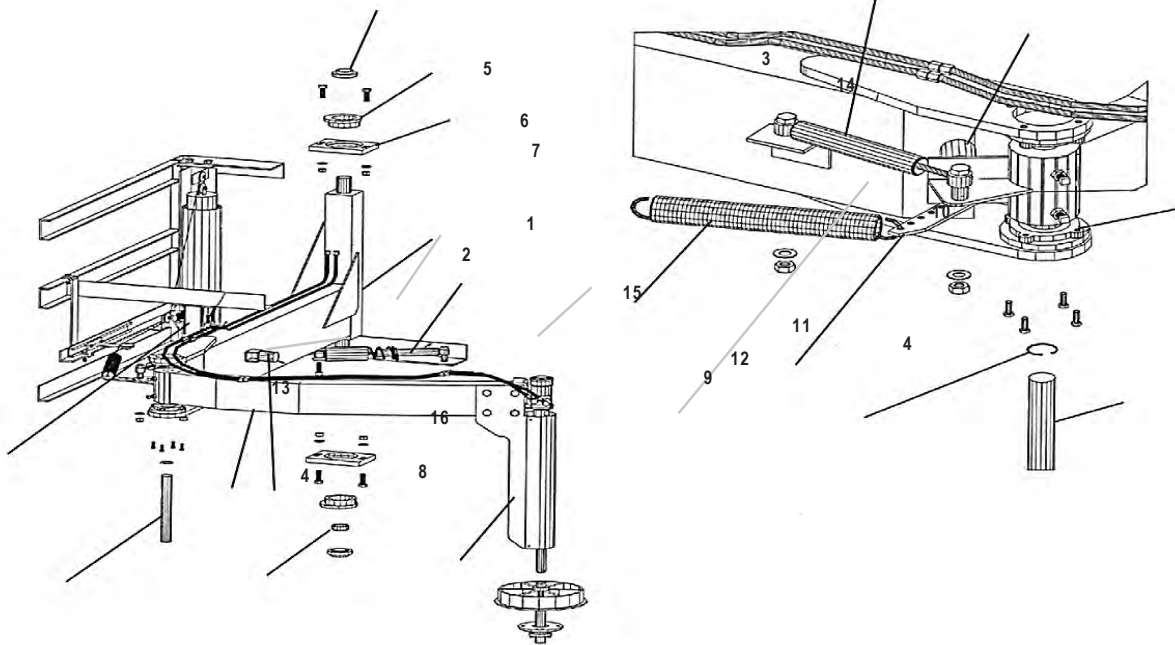
ITEM	PART NO.	DESCRIPTION
SIDE WINDOW/ROCKER PANEL		
1	010439	Pillow Block Bearing 1-1/2"
2	733766*	S/W Stop Bracket Driver Side
	733774*	S/W Stop Bracket Passenger Side
3	763706*	HC/RP Stop Bracket Driver Side
	763987*	HC/RP Stop Bracket Passenger Side
4	026021	Grease Zerk Straight 3/16" x 1/8"
5	282988	SW/RP Spring & Shock Assy.
6	111187	Ftg. Hydraulic ELL 5435 x 8 x 8
7	014852	Ftg. Hydraulic ELL 5405 x 8 x 8
8	248955*	Adjustment Block 1" x 1-3/4" x 1-3/4"
9	110247*	Hydraulic Motor 101-1004
10	719542*	SW/RP Roller Guide Assy.
11	286633	HC/RP Driver Flange
12	176875	TaperLock Bushing 1"
13	227827*	Motor Base Plate
14	174649*	Torque Rod 1/2" x 10" Lg.
15	231753	Motor Coupling Assy. 1"
16	010504	Bearing ER-241-1/2"
17	024703	Retaining Ring N5000-315
18	288100*	Drive Spindle 11"
19	290973	Cam
20	238113	1/2" x 4" x 6" U Bolt
	800289	S/W Mounting Plate Driver Side
21	800288	S/W Mounting Plate Passenger Side
	759530	HC/RP Arm Weldment
SIDE WINDOW/ROCKER PANEL - OLD PRODUCTION		
Item	Part No.	Description
8	010504	Bearing ER-241-1/2"
23	733121	SW/RP Arm Weldment
24	290007	Side Washer Head
* CALL FOR AVAILABILITY		



WRAPAROUND ARM ASSEMBLIES- 180 WRAPS

FREESTANDING BRUSH

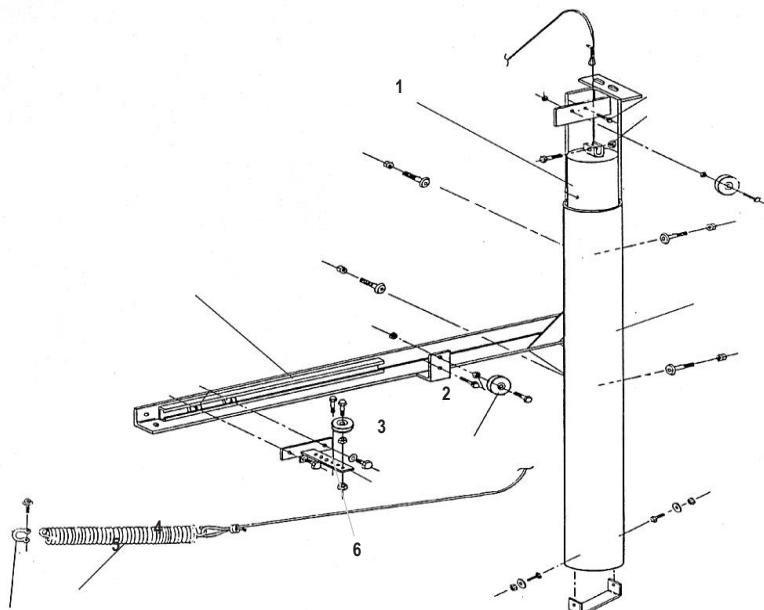
Wraparound Model 182 36" Frame



ITEM	PART NO.	DESCRIPTION
1	278846*	Lever Arm Driver Side
2	711150	Overtravel Shock & Spring Assy.
3	144279	Secondary Shock
4	243907*	Knuckle Pin 1-1/2" x 13"
5	319285	Bearing - Primary Arm
6	255620*	Eccentric Bearing Housing
7	255281*	Retainer Plate
8	721449*	Primary Arm Spacer
9	750307*	Spacer Shock W/A
10	119339	Flange Bearing
11	285694*	Lever Bar
12	268904*	Snap Ring 1-7/16"
13	025965	Rubber Stop 3" Lg.
14	194688*	Rubber Stop 1-1/4" Lg.
15	254334	Spring 1-13/16" x 13" Lg.
16	328856*	Rubber Stop 2 x 2-1/4

* CALL FOR AVAILABILITY

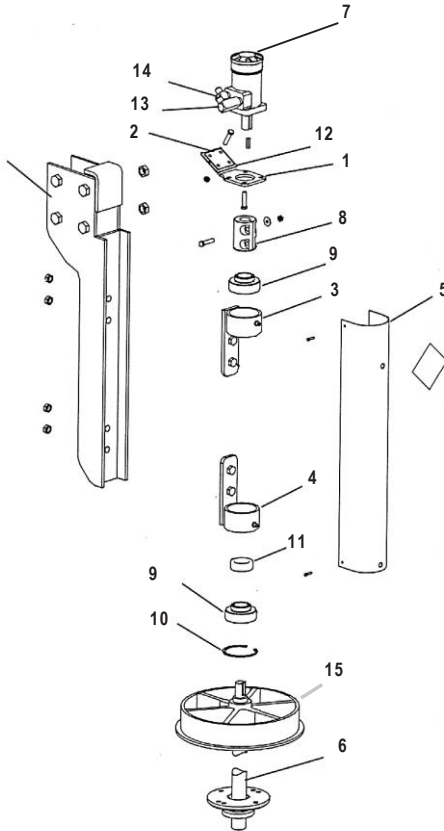
Wraparound Counterweight Assembly – 180 or 182 Series 36" Frame



ITEM	PART NO.	DESCRIPTION
3	719666*	Counterweight (3/4 weight, 34.25 lb.)182-184
5	097170*	Pulley w/Bearing
6	278812*	Sliding Pulley Mount (150 series)
7	254334	Spring 1 13/16" x 13"
8	030155	Clevis 1/4" Chain
9	324244	Wraparound Cord (14' long per arm)

* CALL FOR AVAILABILITY

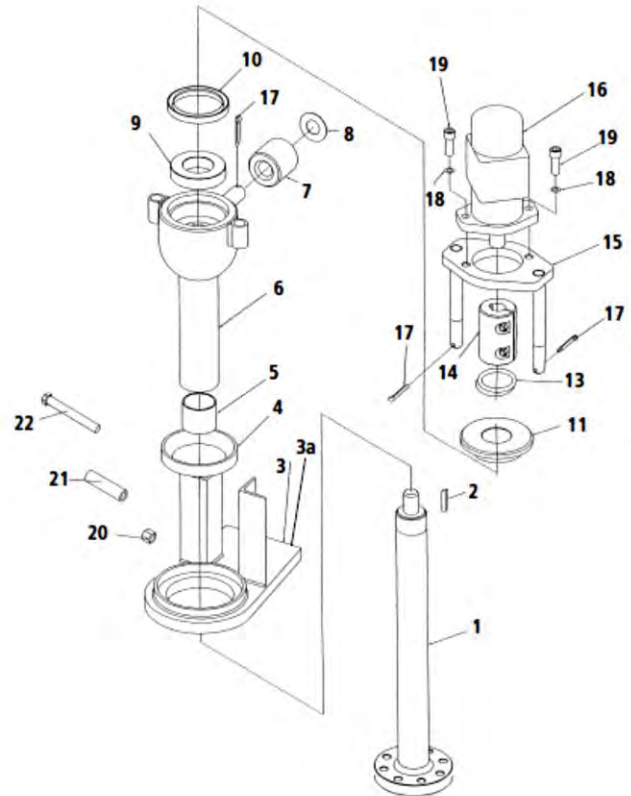
Tube and Shaft Assembly



ITEM	PART NO.	DESCRIPTION
1	755736*	Motor Base Plate
2	759860*	Rubber Clamp Plate
3	806322*	Bearing Housing Top
4	806321*	Bearing Housing Bottom
5	759878*	Cover, Tube & Shaft
6	813537	Shaft 1-1/2" x 72"
7	322107*	Hydraulic Motor 103-2006-010
8	231753	Coupling 1" w/Hardware
9	010504	Bearing 1-1/2" Diameter
10	024703	Snap Ring
11	019760	Set Collar 1-1/2"
12*	355784	Rubber Pad
13	111187	Ftg. Hydraulic Elbow Long
14	014852	Ftg. Hydraulic Elbow Short
15	763623	12" Split Hub

* CALL FOR AVAILABILITY

**Flex Wraps - Drive Unit Assembly - Hydraulic
Contour Flex Wrap**



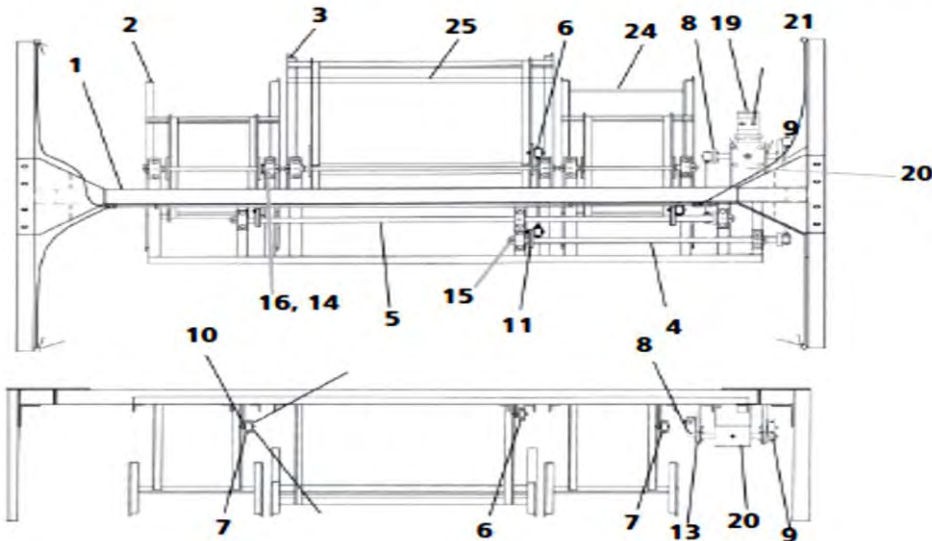
ITEM	PART NO.	DESCRIPTION
1	803695*	Drive Shaft Weldment
2	072918	Key 1/4 x 1/4 x 1-1/4
3	803686*	Mounting Plate Weldment - Driver Side
3a	804164*	Mounting Plate Weldment - Passenger Side
4	804998*	Socket
5	805012*	Bearing, plastic
6	813221	Ball Housing Weldment
7	805011*	Anti Torque Roller
8	623054*	Washer, SS SAE 1"
9	325233*	Bearing 50 x 90 x 10
10	365088*	Seal 80 x 100 x 10
11	805010*	Bearing Cap
12		
13	805153*	Nut, 50 MM Flex Wrap
14	231753	Coupling 1" Aluminum Split
15	803694*	Motor Mount Plate
16	355370*	Motor 2 Bolt Charlyn 103-2030-010
17	365104	Cotter Pin 1/4 x 1-1/2" SS
18	362805	Washer, Lock Split 3/8
19	622947	CP SCR 3/8 x 1-1/2 NC
20	622710	Nut ESNA 3/8 NC SS
21	804030*	Tube, Spacer SS
22	363433	CP SCR 3/8 x 3" NC SS

* CALL FOR AVAILABILITY

HDM-3 MITTER

FREESTANDING BRUSH

HDM-3 Mitter



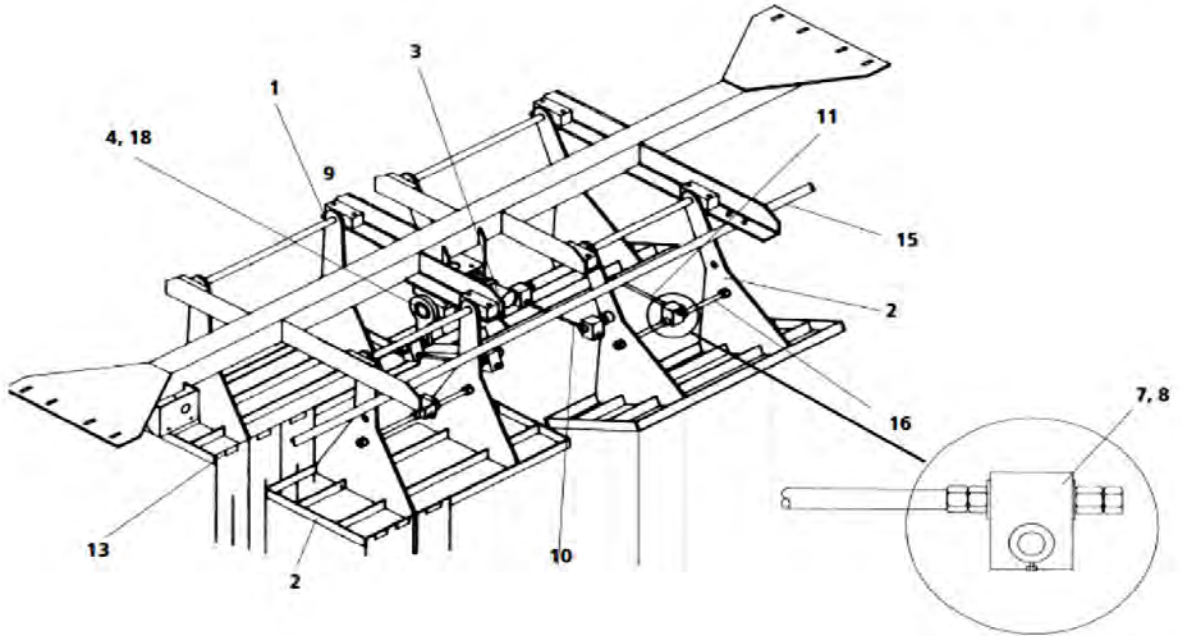
ITEM	PART NO.	DESCRIPTION
2	803877*	Cradle Weldment 24" Stainless Steel
3	803878*	Cradle Weldment 48" Stainless Steel
4	801491*	Jack Shaft 1-1/2" x 53" Lg.
5	801487*	Jack Shaft 1-1/2" x 90-5/8" Lg.
6	803288*	Tie Rod Assembly 20-3/8" Centers
7	803286*	Tie Rod Assembly 14-1/4" Centers
8	803287*	Tie Rod Assembly 19-5/8" Centers
9	803289*	Tie Rod Assembly 22-7/8" Centers
10	626161*	Cap Plate S.S. 1-1/2" x 5-1/4" (32477-02)
11	803247*	Crank Arm (For Jack Shaft) w/Taperlock
13	802314*	Crank arm (For Gear Reducer)
14	626159*	Cradle Sleeve S.S. (12346-01)
15	623143*	1-1/2" Stop Collar S.S. (5824-223)
16	803180*	1-1/2" Bearing (Requires 2-803225 Spacer Rack & Jack Shaft)
	017459*	SCR Hex Cap 1/2" x 1-1/4" NC (Not Shown)
19	355370*	Hydraulic Motor Char-Lynn 103-2030 2-Bolt
20	355362*	Gear Reducer 1 to 1 (Von Ruden)
21	029330*	1/2"NPT x 1/2"FPT Hyd Fitting
	175083*	STL Key 5/16" x 5/16" x 1-1/4" (Not Shown)
	069674*	STL Key 3/8" x 3/8" x 1-1/2" (Not Shown)
	626151*	Curtain Rod 20-7/8"
	626153*	Curtain Rod 47-7/8"
	803280*	Round Round End Bearings
	803264*	Bushing Round Rod End Bearing
	803181*	Rod End Bearing Insert

* CALL FOR AVAILABILITY

HSS-2 MITTER

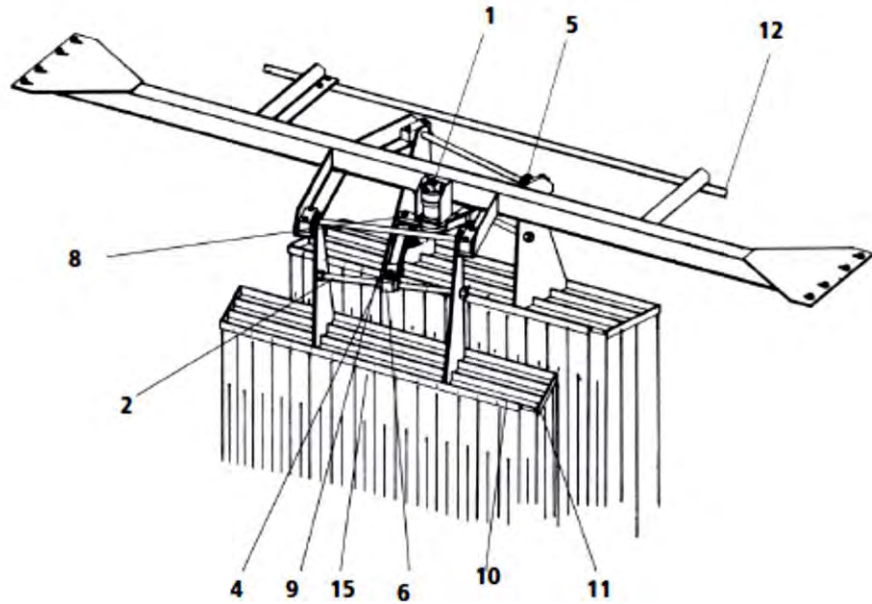
FREESTANDING BRUSH

HSS-2 Mitter 24" and 36" Frames



ITEM	PART NO.	DESCRIPTION
1	759605*	36" Curtain Rack Exit
2	759613*	36" Curtain Rack Entrance
3	355370*	Hydraulic Motor Char-Lynn Model 103-2030-010
4	800369	Crank Arm
7	763201	Rack Spacer UHMW Collar 1" ϕ x 1-1/8" Long
8	740381	Rack Bearing UHMW w/1" Dia.
9	355727	Mount Bearing UHMW Insert 1"
10	740803	Primary Drive Arm 20" Lg. x 3/4" Dia.
11	740795	Secondary Drive Arm 36" Lg. x 3/4" Dia.
13	805469	Attachment Clips
	018648	1/2" JIC to 1/2" NPT Fitting (Not Shown)
15	749937*	Manifold Assembly
16	748749*	Long Rack Tie 1" x 22" Long
	019737	1" Set Collar (Not Shown)
18	802316	1-3/8" Taper Lock Bushing w/5/16" Keyway
	350884	Ftg. Hydraulic Adap. 1/4" x 1/4" O-Ring St
	014852	Ftg. Hydraulic 90° El 1/2" x 1/2"
* CALL FOR AVAILABILITY		

Finishing Touch Mitter 24" and 36" Frames



ITEM	PART NO.	DESCRIPTION
1	322107*	Drive Motor Hydraulic 103-2006-010
2	747683*	Rack Pivot Shaft Drive
3	057620* †	1" ESNA Nut N.C. (Not Shown)
4	747642*	Connecting Arm 13-1/4"
5	740365*	HSS Mount Bearing
6	740381	HSS Drive Bearing
7	748368* †	Rack Spacer
8	747865*	Crank Arm
9	019737	1" Set Collar
10	176875	1" TaperLock Bushing
11	805469	Curtain Clips
12	749937*	Valve Manifold
13	350884 †	Ftg. Hyd. Asap. 1/4" x 1/4" O-Ring St. (Not Shown)
* CALL FOR AVAILABILITY		
† Not pictured		



MISC. BRUSH-WASH PACKAGE PARTS

FREESTANDING BRUSH



341270



282988

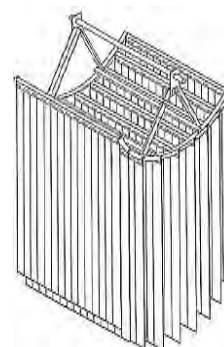
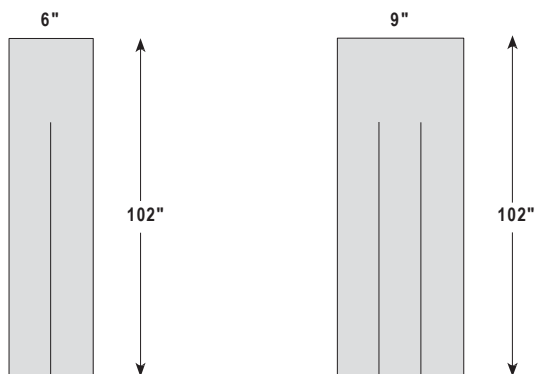


621796

PART NO.	DESCRIPTION
AIR CYLINDERS	
621796*	3-1/4" x 11" Air Cylinder-Sherman Air Dryer
027755	Air Cyl. 2.00DXPSRY-6.00 with Clevis -T/W Retracts
718163	Clevis 1-1/2" for Aero-quip-Air Cyl 1-1/4" x 4-1/2"
341271*	Clevis 2-1/2" Aero-quip-Air Cyl 2-1/2" x 7"
341876	Cyl Air 1-1/2" x 4-1/2" with Clevis and Pins -Conveyor
341875	Cyl Air 1-1/2" x 4-1/2" without Clevis-Conveyor
351304	Cyl Air 3/4" x .75 DSRV - 3.00-Air Dryer
353516*	Cyl Air 1-1/4" x 3 1.25 DXPSRY-Hanna Air Dryer
311688*	Cyl Air 2" x 6 2.00 DXPSRY - 6.00-T/W Retracts
341270*	Cyl Air 2-1/2" x 7" w/o Clevis-Air Dryer/Robot0
341272*	Cyl Air 2-1/2" x 7" w/ Clevis-Air Dryer/Robot
321174*	Cyl Air D 70" x 9" w/7014 & 7010-Robot
717884*	Cyl Hyd 3-1/4" x 8" Take-up-Conveyor
SHOCKS/ASSEMBLIES AND SPRINGS	
144279	Shock 19053 for R/P
707091	Shock & Spring Assembly HCRP
711150	Shock & Spring Assembly W/A
282988	Shock & Spring Assembly - R/P-SW-SHWW
020867*	W/A Spring 1-9/32" x 10"
254334	W/A Spring 1-13/16" x 13" lg.
020875*	1-1/4" x 14" Spring
361136*	Spring S.S. 3/4" OD x 1/2 ID x 2" lg (TWP)
175299	Passenger Side T/W Spring
175307*	Driver Side T/W Spring
724179*	Spring T/W 1.8" x 7"
724500*	Spring Assembly T/W Update - Driver Side
711168*	W/A Overtravel Spring 2.4" x 8"
277756	R/P Spring 2-1/4" x 15" lg
* CALL FOR AVAILABILITY	

REPLACEMENT MITTER MATERIAL

FREESTANDING BRUSH

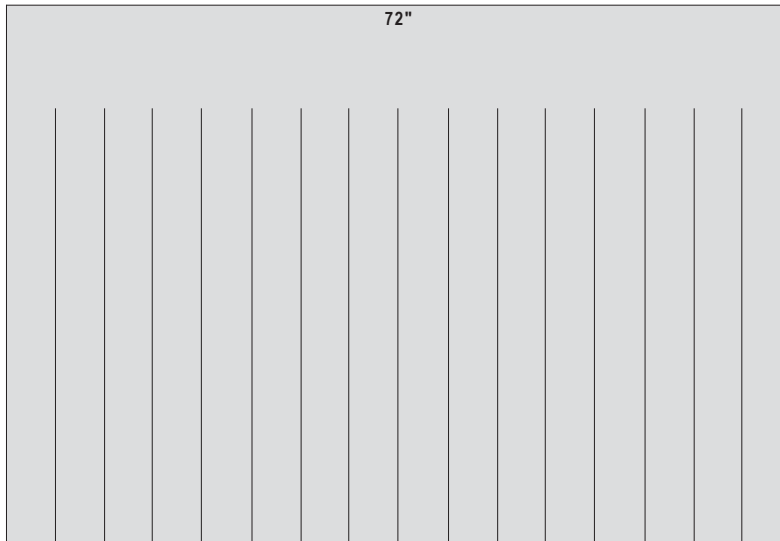


PART NO.	DESCRIPTION
HSS-2, FINISHING TOUCH MITTER (HFTM), OSCILLATING SHAMMY WASHER (OSW-2)-SUPER KLEANCLOTH™	
759803	Standard cut panel 6" x 102"
756452	Standard cut panel 9" x 102" (HSS-2 requires (56) 6" x 102" mitter curtains and (36) 9" x 102" mitter curtains) (HFTM requires (80) 6" x 102" mitter curtains) (OSW-2 requires (96) 6" x 102" mitter curtains)
805469	Curtain retaining clips 1 per panel - high impact plastic
	(not included with panels, extra)
HDM-2, HDM-3, DYNAMITTER 1556 AND 1557-SUPER KLEANCLOTH™	
801520	HDM-2 or HDM-3 mitter curtains - 21" x 85" (HDM-2 requires (18) 21" x 85" mitter curtains)
801523	HDM-3 mitter curtains - 48" x 85" (HDM-3 requires (18) 21" x 85" mitter curtains and (9) 48" x 85" mitter curtains)
Note: When ordering please specify color of wash material. Contact your HSI representative for recommended mitter lengths per assembly.	

REPLACEMENT MITTER MATERIAL

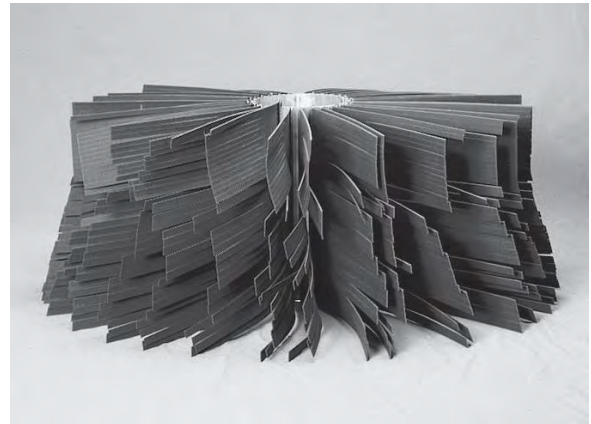
FREESTANDING BRUSH

Typical one Piece Standard Cut Panel - Tie Wrap Provided



PART NO.	DESCRIPTION	CLEARANCE (VEHICLE HT.)
STRAIGHT CUT - ONE PIECE CURTAIN MODEL NUMBERS: S-20, S-30, S-40-SUPER KLEANCLOTH™		
249987	Set of 4: 60", 64", 68", 72"	70"
249995	Set of 4: 76", 80", 84", 88"	84"
251959	Set of 4: 80", 84", 88", 92"	90"
STRAIGHT CUT - ONE PIECE CURTAIN MODEL NUMBER: S-45-SUPER KLEANCLOTH™		
744243	Set of 6: 60", 64", 68", 72"	70"
414433	Set of 6: 76", 80", 84", 88"	84"
744250	Set of 6: 80", 84", 88", 92"	90"
STRAIGHT CUT - ONE PIECE CURTAIN MODEL NUMBER: S-50-SUPER KLEANCLOTH™		
24998A	Set of 8: 60", 64", 68", 72"	70"
24999A	Set of 8: 76", 80", 84", 88"	84"
25195A	Set of 8: 80", 84", 88", 92"	90"
Note: When ordering please specify color of wash material.		

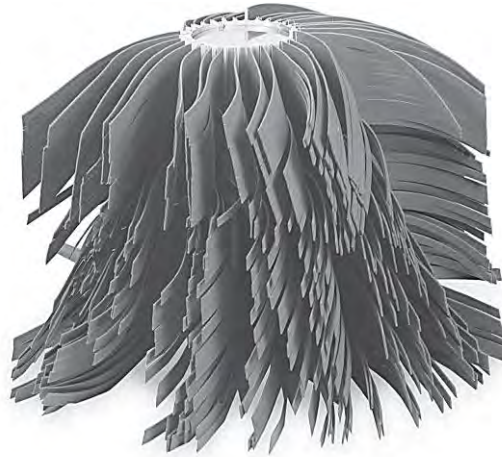
When ordering hubcap rocker panel replacements, dimensions are stated in the following order: core size, height of washer, and diameter. Straight Cut designates a straight, vertical cut. Profile Cut designates an angular cut with Profile Cut dimensions referring to the lower diameter of the wash material. Hubcap Rocker Panel Brushes are available in Super KleanCloth™.



PART NO.	DESCRIPTION
HUBCAP ROCKER PANEL BRUSH 10" X 14" X 50" STRAIGHT CUT-SUPER KLEANCLOTH™	
754267	Hubcap rocker panel C-Channel complete assembly includes brush core and 30 panel inserts
753871	Replacement panel inserts 20" x 14"
762997	Brush core 10" x 14"
HUBCAP ROCKER PANEL BRUSH 10" X 14" X 50" 58" PROFILE CUT-SUPER KLEANCLOTH™	
761064	Hubcap rocker panel C-Channel complete assembly includes brush core and 30 panel inserts
760876	Replacement Panel inserts 20"/24" x 14" profile
762997	Brush core 10" x 14"
Note: When ordering please specify color of wash material.	

HUBCAP ROCKER PANEL BRUSH

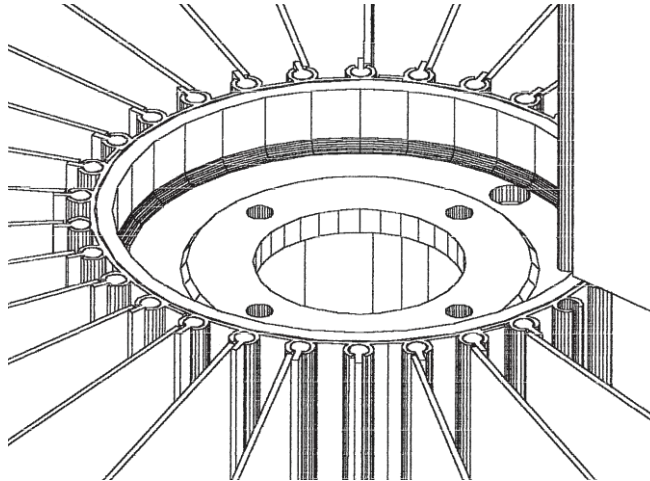
FREESTANDING BRUSH



PART NO.	DESCRIPTION
HUBCAP ROCKER PANEL BRUSH 10" X 21" X 50" STRAIGHT CUT-SUPER KLEANCLOTH™	
754259	Hubcap rocker panel C-Channel complete assembly includes brush core and 30 panel inserts
753863	Replacement panel inserts 20" x 21"
763003	Brush core 10" x 21"
HUBCAP ROCKER PANEL BRUSH 10" X 21" X 50" 58" PROFILE CUT-SUPER KLEANCLOTH™	
761114	Hubcap rocker panel C-Channel complete assembly includes brush core and 30 panel inserts
760884	Replacement panel inserts 20"/24" x 21" profile
763003	Brush core 10" x 21"
HUBCAP ROCKER PANEL BRUSH 10" X 28" X 50" STRAIGHT CUT-SUPER KLEANCLOTH™	
800153	Hubcap rocker panel C-Channel complete assembly includes brush core and 30 panel inserts
800152	Replacement panel inserts 20" x 28" profile
800151	Brush core 10" x 28"
HUBCAP ROCKER PANEL BRUSH 10" X 28" X 50/58" PROFILE CUT-SUPER KLEANCLOTH™	
800532	Hubcap rocker panel C-Channel assembly includes brush core and 30 panel inserts
760892	Profile panel insert replacement
800151	Brush core assembly 10" x 28"
804520	HCRP C-Channel Complete Assembly includes 30 panels and Core with Dual Castings (for mounting on SW/RP combo)
760892	Profile Panel insert Replacement
804519	Core Only, 10" x 28" with Dual Castings
HUBCAP ROCKER PANEL BRUSH 10" X 35" X 50/58" PROFILE CUT-SUPER KLEANCLOTH™	
761106	Hubcap rocker panel C-Channel complete assembly includes brush core and 30 panel inserts
760900	Replacement panel inserts 20"/24" x 35" profile
763037	Brush core 10" x 35"
Note: When ordering please specify color of wash material.	

SIDE WASHER/ROCKER PANEL BRUSH

FREESTANDING BRUSH



PART NO.	DESCRIPTION
SIDE WASHER/ROCKER PANEL BRUSH 10" X 21" X 50" STRAIGHT CUT-SUPER KLEANCLOTH™	
754234	Rocker panel C-Channel complete assembly includes brush core and 30 runs of panel inserts
753988	Replacement panel inserts 20" x 21"
763011	Brush core 10" x 21"
SIDE WASHER/ROCKER PANEL BRUSH 10" X 21" X 50"/58" PROFILE CUT-SUPER KLEANCLOTH™	
761072	Rocker panel C-Channel complete assembly includes brush core and 30 runs of panel inserts
760884	Replacement panel inserts 20"/24" x 21" profile
763011	Brush core 10" x 21"
SIDE WASHER/ROCKER PANEL BRUSH 10" X 28" X 50" STRAIGHT CUT-SUPER KLEANCLOTH™	
754218	Side washer C-Channel complete assembly includes brush core and 30 panel inserts
753970	Replacement panel inserts 20" x 28"
763029	Brush core 10" x 28"
SIDE WASHER/ROCKER PANEL BRUSH 10" X 28" X 50"/58" PROFILE CUT	
761080	Side washer C-Channel complete assembly includes brush core and 30 panel inserts
760892	Panel inserts 20"/24" x 28" profile
763029	Brush core 10" x 28"
805487	Side Washer C-Channel Complete Includes Brush Core & 30 Panel Inserts.
753970	Replacement Panel Insert
805795	Brush Core 10" x 35" S/W
SIDE WASHER BRUSH 12" X 28" X 52" STRAIGHT CUT	
754184	Side washer C-Channel complete assembly includes brush core and 36 panel inserts
753970	36 Replacement panel inserts 20" x 28"
763060	Brush core 12" x 28"

Note: When ordering please specify color of wash material.



SIDE WASHER/ROCKER PANEL BRUSH

FREESTANDING BRUSH



A cloth panel being inserted into a C-Channel hub.

PART NO.	DESCRIPTION
SIDE WASHER/ROCKER PANEL BRUSH 10" X 28" X 50" STRAIGHT CUT-SUPER KLEANCLOTH™	
754218	Side washer C-Channel complete assembly includes brush core and 30 panel inserts
753970	Replacement panel inserts 20" x 28"
763029	Brush core 10" x 28"
SIDE WASHER/ROCKER PANEL BRUSH 10" X 28" X 50"/58" PROFILE CUT	
761080	Side washer C-Channel complete assembly includes brush core and 30 panel inserts
760892	Panel inserts 20"/24" x 28" profile
763029	Brush core 10" x 28"
805487	Side Washer C-Channel Complete Includes Bush Core &30 Panel Inserts.
753970	Replacement Panel Insert
805795	Brush Core 10" x 35" S/W
SIDE WASHER BRUSH 12" X 28" X 52" STRAIGHT CUT	
754184	Side washer C-Channel complete assembly includes brush core and 36 panel inserts
753970	36 Replacement panel inserts 20" x 28"
763060	Brush core 12" x 28"
SIDE WASHER BRUSH 12" X 28" X 52"/60" PROFILE-SUPER KLEANCLOTH™	
761098	Side washer C-Channel complete assembly includes brush core and 36 panel inserts
760892	36 Replacement panel inserts 20"/24" x 28" Profile
763060	Brush core 12" x 28"
SIDE WASHER BRUSH 12" X 35" X 52" STRAIGHT CUT-SUPER KLEANCLOTH™	
800531	Side washer C-Channel complete assembly includes brush core and 36 panel inserts
753962	30 Replacement panel inserts 20" x 35"
763052	Brush core 12" x 35"
SIDE WASHER BRUSH 12" X 35" X 52"/60" PROFILE-SUPER KLEANCLOTH™	
761882	Side washer C-Channel complete assembly includes brush core and 36 panel inserts
760900	Replacement panel inserts 20"/24" x 35" profile
763052	Brush core 12" x 35"
Note: When ordering please specify color of wash material.	

SAFETY WASHAROUND BRUSH

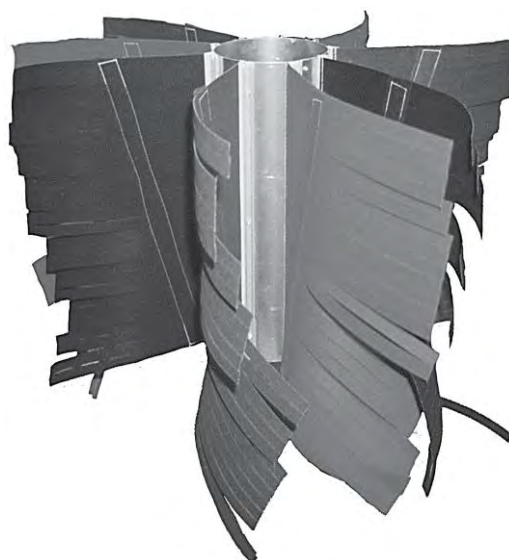
FREESTANDING BRUSH

Safety washaround brush replacements are used on the bottom section of 180, 182 and 98c wraparound assemblies.



PART NO.	DESCRIPTION
SAFETY WASH AROUND BRUSH 12" X 35" X 52" STRAIGHT CUT-SUPER KLEANCLOTH™	
754192	Safety washaround brush C-Channel complete assembly includes brush core, 18 - 35" panel inserts and 18 - 28" panel inserts
753905	Replacement panel inserts 20" x 35"
753913	Replacement panel inserts 20" x 28"
763052	Brush core 12" x 35"
Note: When ordering please specify color of wash material.	

Horizontal window washer replacements are used on the top section of 180, 182 and 98c wraparound assemblies.



PART NO.	DESCRIPTION
HORIZONTAL WINDOW WASHER BRUSH 12" X 14" X 61" STRAIGHT CUT-SUPER KLEANCLOTH™	
754176	Horizontal window washer C-Channel complete assembly includes brush core and 9 panel inserts
754127	Replacement panel inserts 24-1/2" x 14" profile
736934	Brush core 12" x 14"
HORIZONTAL WINDOW WASHER BRUSH 12" X 21" X 61" STRAIGHT CUT-SUPER KLEANCLOTH™	
759514	Horizontal window washer C-Channel complete assembly includes brush core and 9 panel inserts
761130	Replacement panel inserts 24-1/2" x 21"
761155	Brush core 12" x 21"
Note: When ordering please specify color of wash material.	



BRUSH CORES & PARTS

PARTS CROSS REFERENCES

	P/N	CORE SIZE	DESCRIPTION	SLOTS	CLOTH	CORE	STABILIZER	HUB	FLANGE	BUSHING	HARDWARE	SIDEWASHER	FLEXWRAP	QUAD WRAP	S-NIS	4-PACK	HCRP-21	HCRP-28	HCRP-35	TIRE GLAZE
807390	8 X 42	BRUSH ASSEMBLY	12	INCL	INCL	INCL	NO	NO	NO	NO	Y	Y	Y	Y	Y					
807835	10 X 28	BRUSH ASSEMBLY	30	INCL	INCL	n/a	INCL	NO	NO	NO	Y	Y	Y	Y	Y					
761114	10 X 21	BRUSH ASSEMBLY	30	INCL	INCL	n/a	n/a	NO	NO	NO						Y				
800532	10 X 28	BRUSH ASSEMBLY	30	INCL	INCL	n/a	n/a	NO	NO	NO							Y			
761106	10 X 35	BRUSH ASSEMBLY	30	INCL	INCL	n/a	n/a	NO	NO	NO								Y		
813956	4 X 96	BRUSH ASSEMBLY	12	INCL	INCL	n/a	n/a	n/a	n/a	n/a										Y
807391	8 X 42	CORE ONLY	12	NO	INCL	n/a	NO	NO	NO	NO	Y	Y	Y	Y	Y					
763029	10 X 28	CORE ONLY	30	NO	INCL	n/a	NO	NO	NO	NO	Y	Y	Y	Y	Y					
763003	10 X 21	CORE ONLY	30	NO	INCL	n/a	NO	NO	NO	NO						Y				
800151	10 X 28	CORE ONLY	30	NO	INCL	n/a	NO	NO	NO	NO							Y			
763037	10 X 35	CORE ONLY	30	NO	INCL	n/a	NO	NO	NO	NO								Y		
813936	4 X 96	CORE ONLY	12	NO	INCL	n/a	NO	NO	NO	NO										Y
809604	n/a	8" STABILIZER	n/a	n/a	n/a	INCL	n/a	n/a	n/a	INCL	Y	Y	Y	Y	Y					
807327	n/a	8" SPLIT HUB	n/a	n/a	n/a	n/a	INCL	n/a	n/a	INCL	Y	Y	Y	Y	Y					
159459	n/a	FLANGE	n/a	n/a	n/a	n/a	n/a	INCL	NO	NO	Y	Y	Y	Y	Y					
753723	n/a	BUSHING	n/a	n/a	n/a	n/a	n/a	NO	INCL	NO	Y	Y	Y	Y	Y					
231829	n/a	FLANGE & BUSHING KIT	n/a	n/a	n/a	n/a	n/a	INCL	INCL	INCL	Y	Y	Y	Y	Y					
286633	n/a	FLANGE	n/a	n/a	n/a	n/a	n/a	INCL	NO	NO						Y	Y	Y		
176875	n/a	BUSHING	n/a	n/a	n/a	n/a	n/a	NO	INCL	NO						Y	Y	Y		
807464	n/a	FLANGE & BUSHING KIT	n/a	n/a	n/a	n/a	n/a	INCL	INCL	INCL						Y	Y	Y		



HYDRAULIC MOTORS

PARTS CROSS REFERENCES

PORTS	DISPLACEMENT	V	C	R	S	S	H	FTM/DTM	BRUSH	WASHER TOP	20 SIDE	S-	WRAP	FLEX	QUAD WRAP	S-N-S	PACK	4-	RP	HC	TIRE WASHER	GLAZE	P TIRE	AUTOPRE	WATER WIZARD
344598	MTR HYD CHAR-LYNN		4-BOLT	O-RING	18.7	Y																			
366065	MTR HYD PARKER		4-BOLT	O-RING	5.0																Y	Y	Y		
366913	MTR HYD PARKER		2-BOLT	O-RING	8.0		Y																		
366066	MTR HYD PARKER		4-BOLT	O-RING	10.0															Y					Y
366067	MTR HYD PARKER		4-BOLT	O-RING	13.9						Y	Y			Y	Y	Y	Y	Y						
367981	MTR HYD PARKER		4-BOLT	O-RING	15.9					Y				Y											

ELECTRIC MOTORS

PARTS CROSS REFERENCES

P/N	HP	RPM	VOLTAGE/PH/Hz	FRAME	MOUNTING	ENCLOSURE	FACTOR	SS SERVICE	H	FTM/DTM	VACUUMS	HIGH PRESSURE PUMPS	HYDRAULIC UNITS	AIR DRYERS
368044	1	1750	230/460/3/60		C-FACE	TENV	1.15		Y	Y				
368031	3	1750	208-460/3/60	182TC	C-FACE	TEFC	1.15						Y	
367578	5	1750	208-460/3/60	184TC	C-FACE	TEFC	1.15						Y	
367582	7-1/2	1750	208-460/3/60	213TC	C-FACE	TEFC	1.15						Y	
367586	10	1750	208-460/3/60	215TC	C-FACE	TEFC	1.15						Y	
368116	10	3550	208-460/3/60	215T	FOOT	TEFC	1.15				Y			
365008	15	3550	208-460/3/60	215T	FOOT	TEFC	1.15				Y			
365008	15	3550	208-460/3/60	215T	FOOT	TEFC	1.15							Y
367589	15	1750	208-460/3/60	254T	FOOT	TEFC	1.15					Y		
367590	15	1750	208-460/3/60	254TC	C-FACE	TEFC	1.15						Y	
366147	20	3550	208-460/3/60	254T	FOOT	TEFC	1.15				Y			
367597	20	1750	208-460/3/60	256TC	C-FACE	TEFC	1.15						Y	
367601	25	1750	208-460/3/60	284TC	C-FACE	TEFC	1.15						Y	



BALL BEARINGS

PARTS CROSS REFERENCES

P/N	DESCRIPTION	SIZE	TYPE	HSS	FTM/DTM	BRUSH	WASHER TOP	ZO SIDE	S-	FLEX WRAP	QUAD WRAP	S-N-S	PACK	RP 4-	HC	TIRE WASHER	TIRE GLAZE
010405	1" PILLOW BLOCK BEARING	1.000	PILLOW BLOCK	Y	Y				Y								
058040	1-1/4" HANGAR BEARING	1.250	HANGAR													Y	Y
010363	1-1/2" FLANGE BEARING - SQUARE	1.500	SQUARE FLANGE			Y											
010439	1-1/2" PILLOW BLOCK BEARING	1.500	PILLOW BLOCK			Y	Y			Y	Y	Y	Y	Y	Y	Y	Y
010504	ER-24 BEARING	1.500	CARTRIDGE							Y	Y	Y	Y				
367929	1-1/2" CARTRIDGE BEARING	1.500	CARTRIDGE					Y									
368037	1-1/2" 3-HOLE BEARING	1.500	3-HOLE							Y	Y	Y	Y				

NOZZLES

PARTS CROSS REFERENCES

	VERSAS ARCH - CHEMICAL	VERSAS ARCH - RINSE	VERSAS ARCH - FLOAMER	VERSAS ARCH - SPOT FREE	FLOOD	VERSAS ARCH	IMAGE ARCH - RINSE	IMAGE ARCH - CHEMICAL	FREE IMAGE ARCH - FLOAMER	VAS IMAGE ARCH - SPOT	SS AUTO PREP'S	FTM/DTM	TOP BRUSH	WASHER	-ZO SIDE	S	WRAP	FLEX	WRAP	QUAD	S	N-	S-	CK	PA	4-	P	CR	H	COMBO WATER WIZARD	
318907																Y															
363258															Y																
363261													Y	Y																	
363262													Y						Y	Y	Y	Y	Y	Y	Y	Y	Y	Y	Y		
363371																															
365619										Y			Y																		
365620											Y	Y			Y																
365621													Y	Y																	
366092																Y															
366634																														Y	Y
366673																															Y
367262																			Y												
367454																			Y												
367455																			Y												
368030												Y																			
368106																															



COLEMAN HANNA CARWASH SYSTEMS- 5842 W. 34th STREET- HOUSTON-TEXAS- 77092 TOLL FREE- (800) 999- 9878
INFO@COLEMANHANNA.COM WWW.COLEMANHANNA.COM