



eFusion **PARTS** **MANUAL**

Version 2

PARTS DEPARTMENT
1.866.927.4229
713.590.6652 FAX
WWW.COLEMANHANNA.COM



CONTENTS

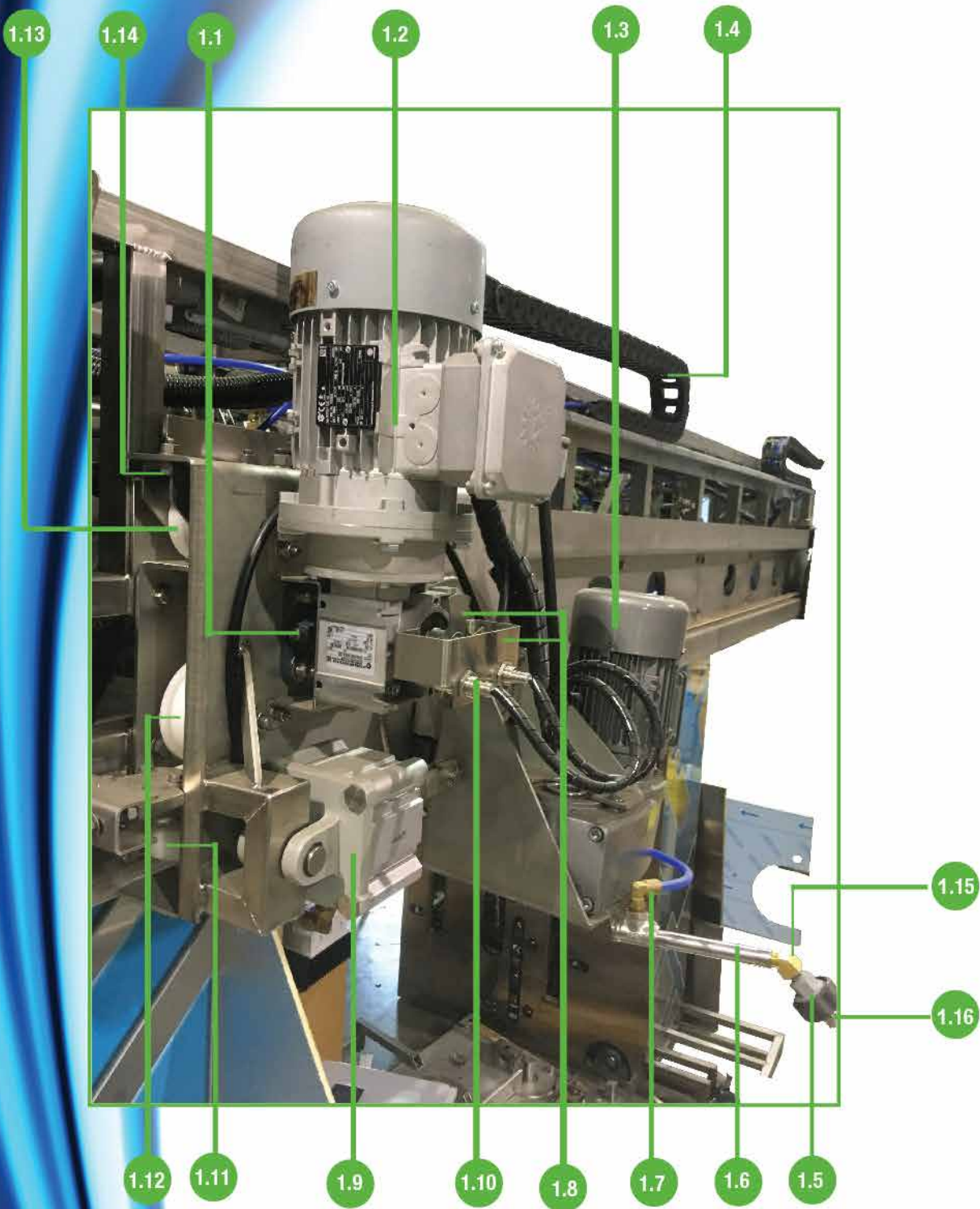


TABLE OF

eFusion Parts Manual

Gantry Side Brush Carriage - Passenger Side.....	2
Gantry Side Brush Carriage - Driver Side.....	4
Side Brush Carriage - End View.....	6
Gantry Top Brush - Drive Assembly.....	8
Gantry Lower - Inside - Passenger.....	10
Gantry - Driver's Side - Lower (Left Side).....	12
Gantry - Wheel Brush Assembly.....	14
Gantry - Drive and Count Wheels.....	16
Gantry - Oscillating Blower Assembly.....	18
Gantry - Instruction Signs.....	20
Gantry Drive - Passenger Side - (Right Side).....	22
Gantry Drive-Driver's Side.....	24
Gantry Upper - Top Brush Drive.....	26
Gantry Upper - Top Brush.....	28
Low Pressure Box.....	30
High Pressure Box.....	32
Gantry Electrical Panel- Lower.....	34
Pump Stand - Front End View.....	36
Pump Stand - Rear.....	38
Control Panel - Pump Stand.....	40
Gantry Control Panel - Upper.....	42

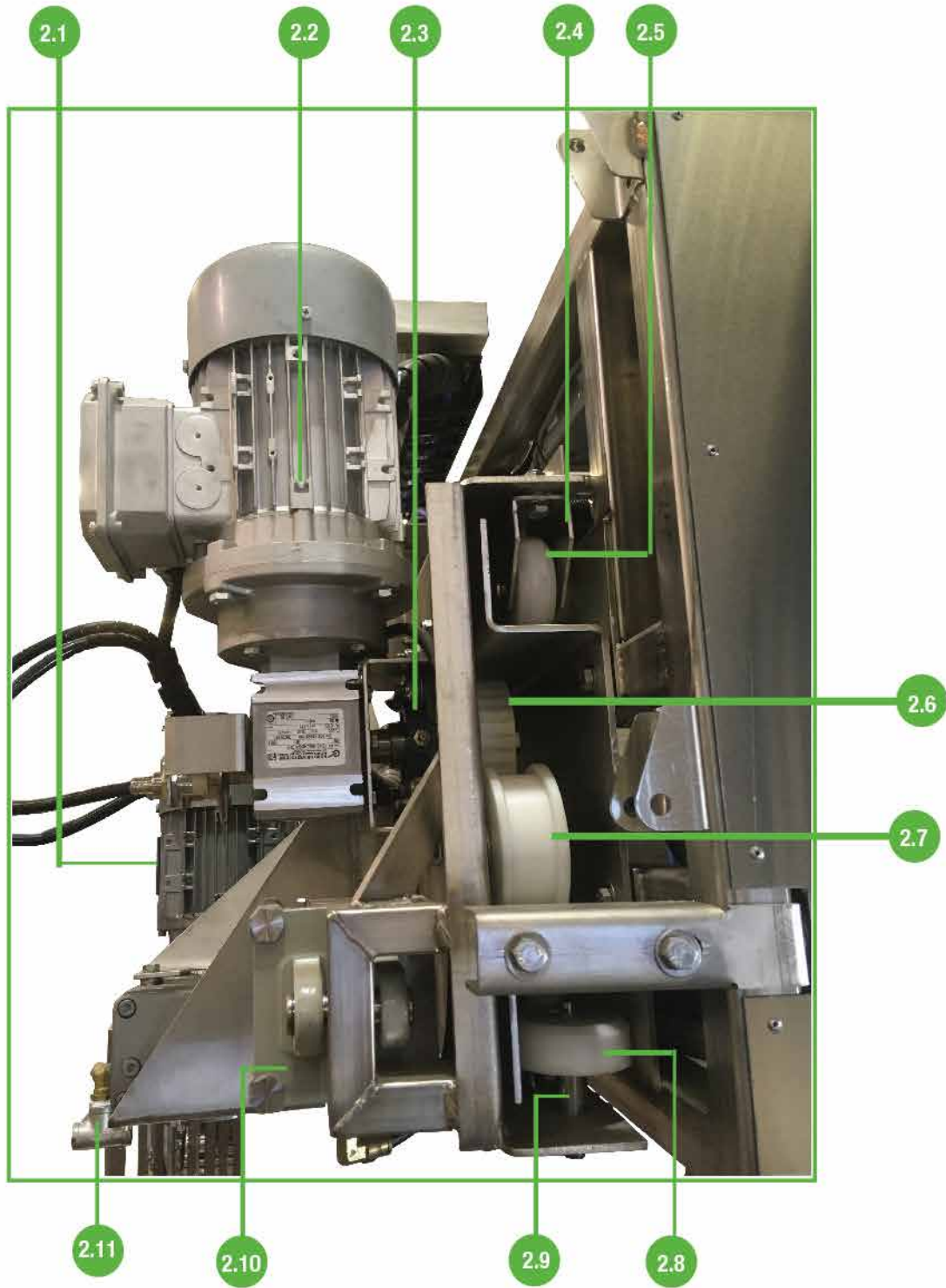
Gantry Side Brush Carriage Passenger Side



Gantry Side Brush Carriage - Passenger Side

ITEM #	PART #	DESCRIPTION
1.1	07511	Bearing, Flange 1" 4 Bolt - Baldor
1.2	55001-3	Gear Motor, Washdown HHS
1.3	55001-4	Gear Motor, Washdown HHS
1.4	07515	Cable Carrier
1.5	06851	Adjustable Ball Joint 1/4Fx1/4M
1.6	07829	Mittler Lube Pipe 6" Stainless Steel
1.7	07574	Side Brush Shaft & Flange (MS-AC11 & MS-AC12)
1.8	07850-RK	Fusion Boom Safety System Retro Kit
1.9	07501	Air Cyl, 100mm Bore 25 mm
1.10	06626-1	PROX 10m Hardwire
1.11	07825	Side Brush Carriage Roller (MS-AC51)
1.12	07828	Belt Idler Pulley (MS-AC52)
1.13	07825	Side Brush Carriage Roller (MS-AC51) Side Brush
1.14	07826	Carriage Roller Vertical Bracket (AC004-1)
1.15	22-2214P-4-4	Pipe Elbow-45 1/4"
1.16	84104	Mitter Lube Spray Tip# 2507

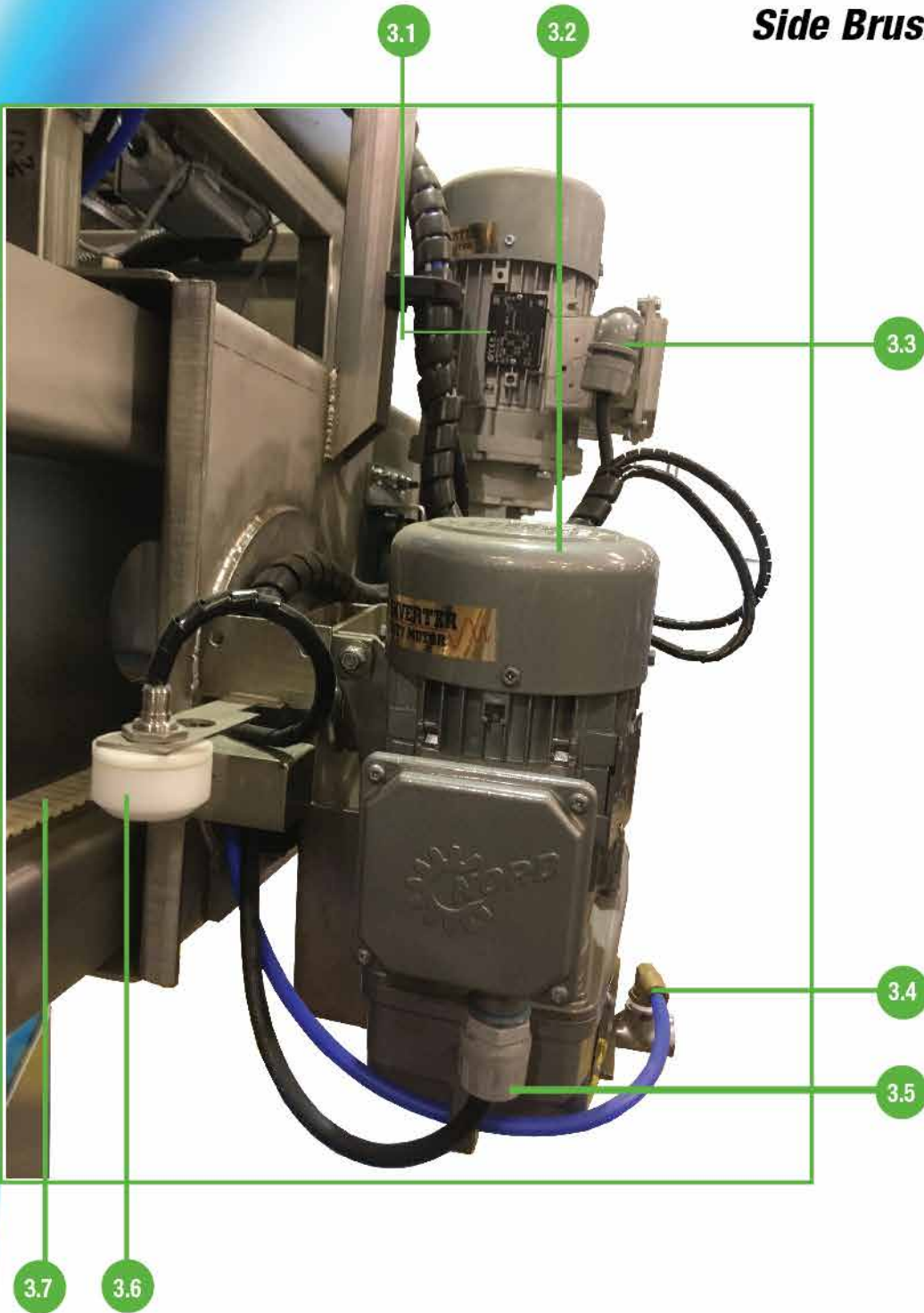
Gantry Side Brush Carriage Driver Side



Gantry Side Brush Carriage - Driver Side

ITEM #	PART #	DESCRIPTION
2.1	55001-4	Gear Motor, Washdown HS
2.2	55001-3	Gear Motor, Washdown HS
2.3	07511	Bearing, Flange 1" 4 Bolt - Bald
2.4	07826	Side Brush Carriage Roller Vertical Bracket (AC004-1) Side
2.5	07825	Brush Carriage Roller (MS-AC51)
2.6	06852-15	Belt - Kevlar Side Brush Belt ((15'))
2.7	07828	Belt Idler Pulley (MS-AC52)
2.8	07825	Side Brush Carriage Roller (MS-AC51)
2.9	07826	Side Brush Carriage Roller Bolt-Horizontal Roller(MS-AC26)
2.10	07501	Air Cyl, 100mm bore 25mm
2.11	22441	Mitter Lube Pipe T Bracket - Stainless Steel

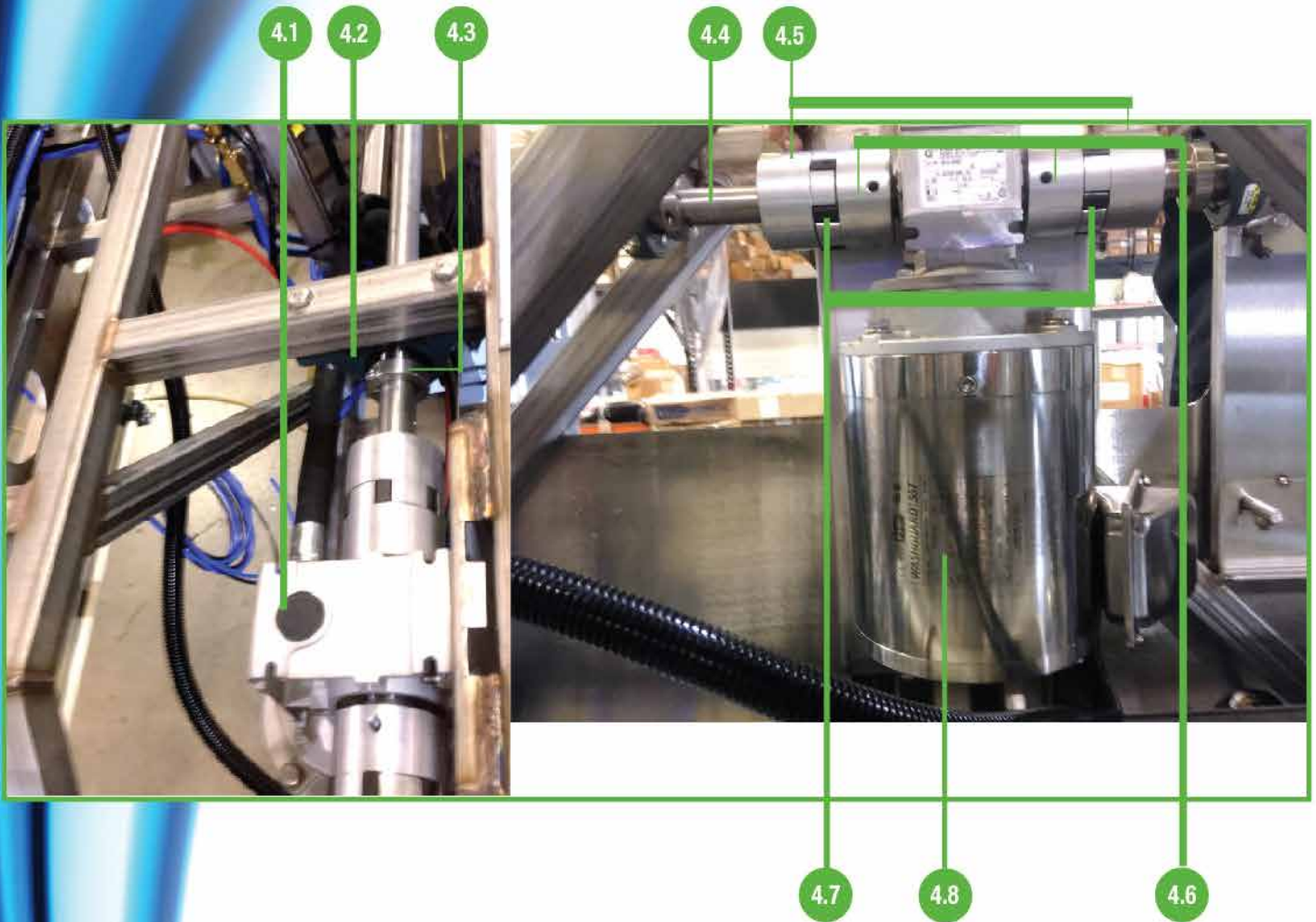
**Side Brush Carriage
End View**



Side Brush Carriage - End View

ITEM #	PART #	DESCRIPTION
3.1	55001-3	Gear Motor, Washdown HS
3.2	55001-4	Gear Motor, Washdown HS
3.3	07514	Bearing, Flange Roller 1.5"
3.4	22-2214P-4-4	Pipe Elbow-45 1/4"
3.5	22-W169-PL-6-6	90 Degree Push Lock Fitting
3.6	06626-1	Prox 10m Hardwire
3.7	06852-15	Belt - Kevlar Side Brush Belt (15')

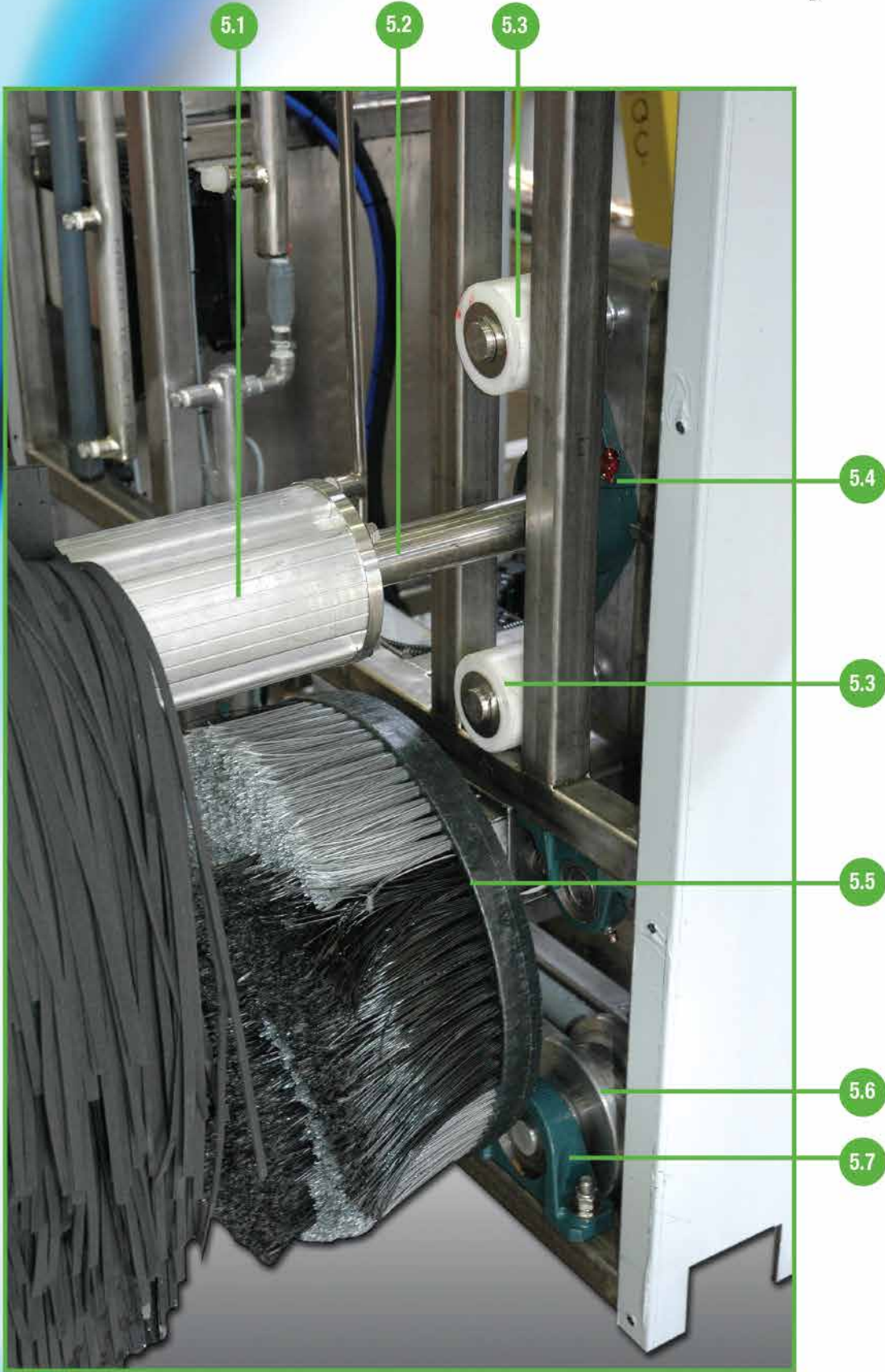
Gantry Top Brush Drive Assembly



Gantry Top Brush - Drive Assembly

ITEM #	PART #	DESCRIPTION
4.1	55227-3	GEAR BOX 50:1 WASHDOWN
4.2	06850	Pillow Block Bearing 1" - VPS - 116
4.3	06830	Lock Collar 1"
4.4	07824	Top Brush Drive Shaft - 1" X 31" (MS-107)
4.5	06800	Love Joy 1" Drive Shaft
4.6	06801	Love Joy 7/8" Gear Box
4.7	06803	Love Joy Spider
4.8	55230-4	Motor,0.5HP/60/3,56C,TENV,SST

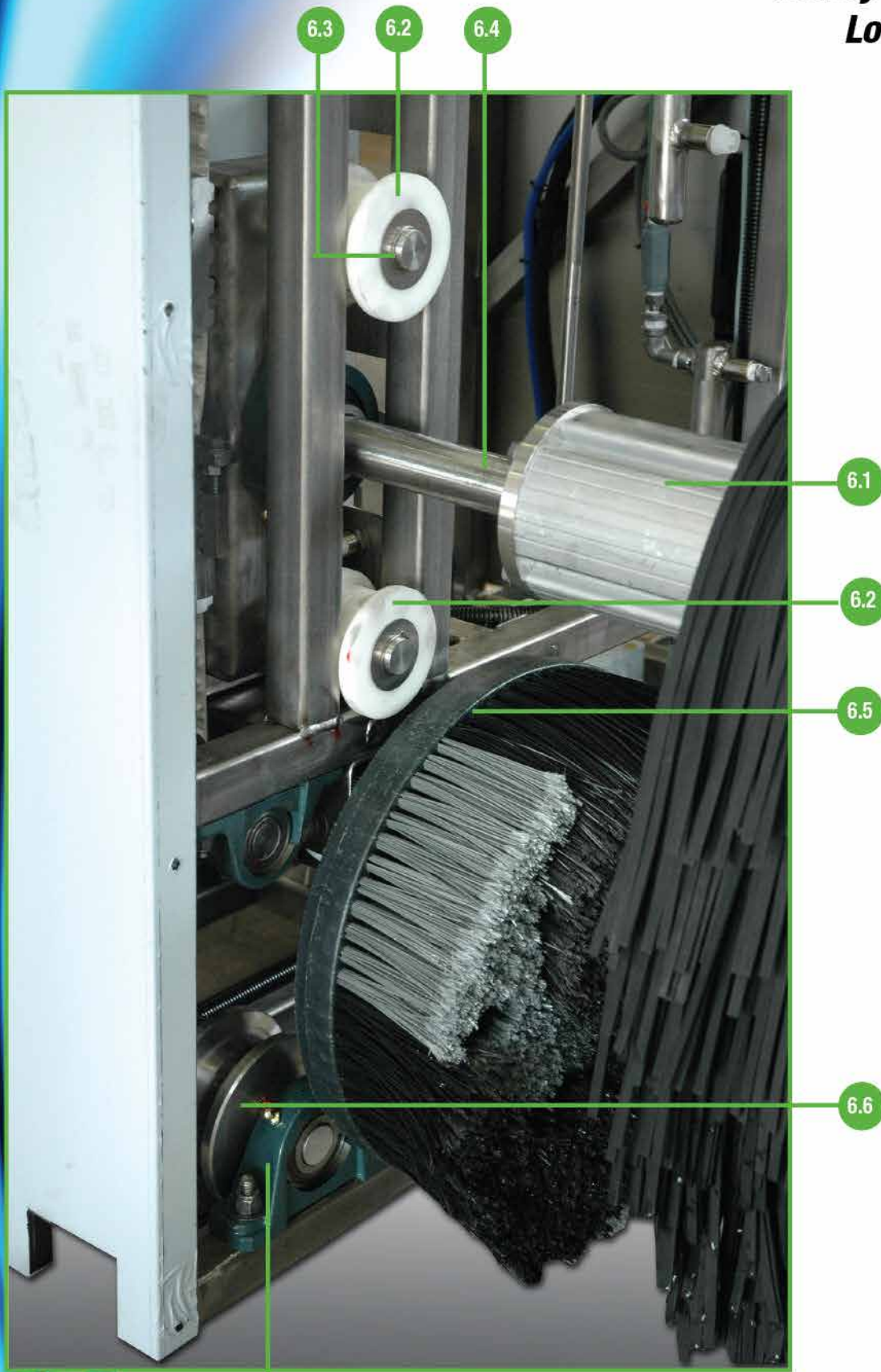
Gantry Lower - Inside Passenger



Gantry Lower - Inside - Passenger

ITEM #	PART #	DESCRIPTION
5.1	07571	Brush Core - Top Brush Fusion
5.2	07573	Top Brush Shaft & Flange Passenger Side (MS-AC17&MS-AC12)
5.3	07816	Top Brush Rollers (MC-AC55)
5.4	07512	Bearing Flange 1-1/2" - 2 Hole
5.5	07519	Wheel Brush
5.6	06500-W	Drive Wheel
5.7	06851	Pillow Block Bearing 1-1/4" - VPS - 120

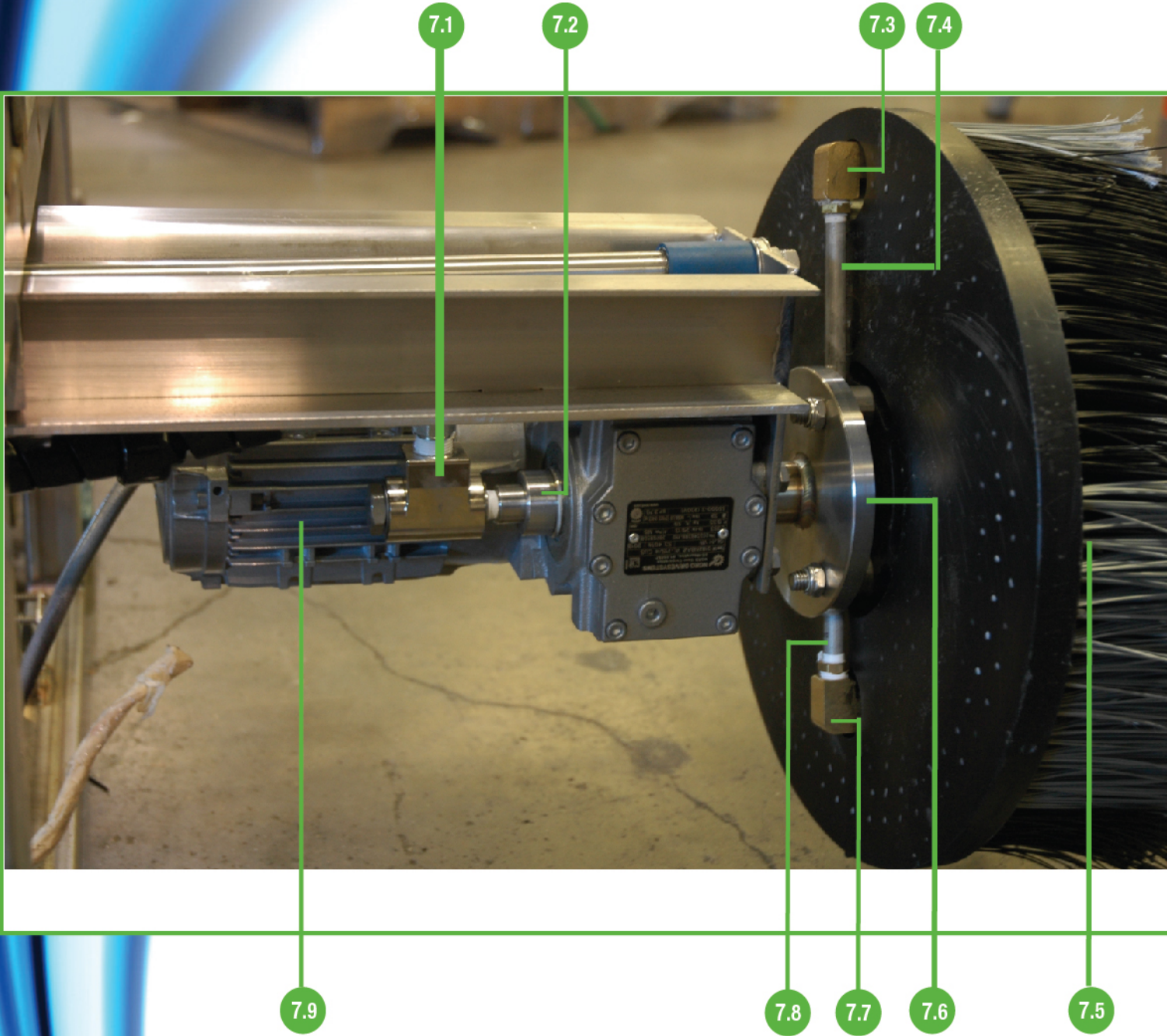
**Gantry - Driver's Side
Lower (Left Side)**



Gantry - Driver's Side - Lower (Left Side)

ITEM #	PART #	DESCRIPTION
6.1	07571	Brush Core - Top Brush Fusion
6.2	07820	Guide Rollers Halves (MS-AC56)
6.3	49097	Snap Ring 1"
6.4	07572	Top Brush Shaft & Flange - Drivers Side (MS -AC16&MS-AC12)
6.5	07519	Wheel Brush
6.6	06500-W	Drive Wheel
6.7	06851	Pillow Block Bearing 1-1/4" - VPS - 120

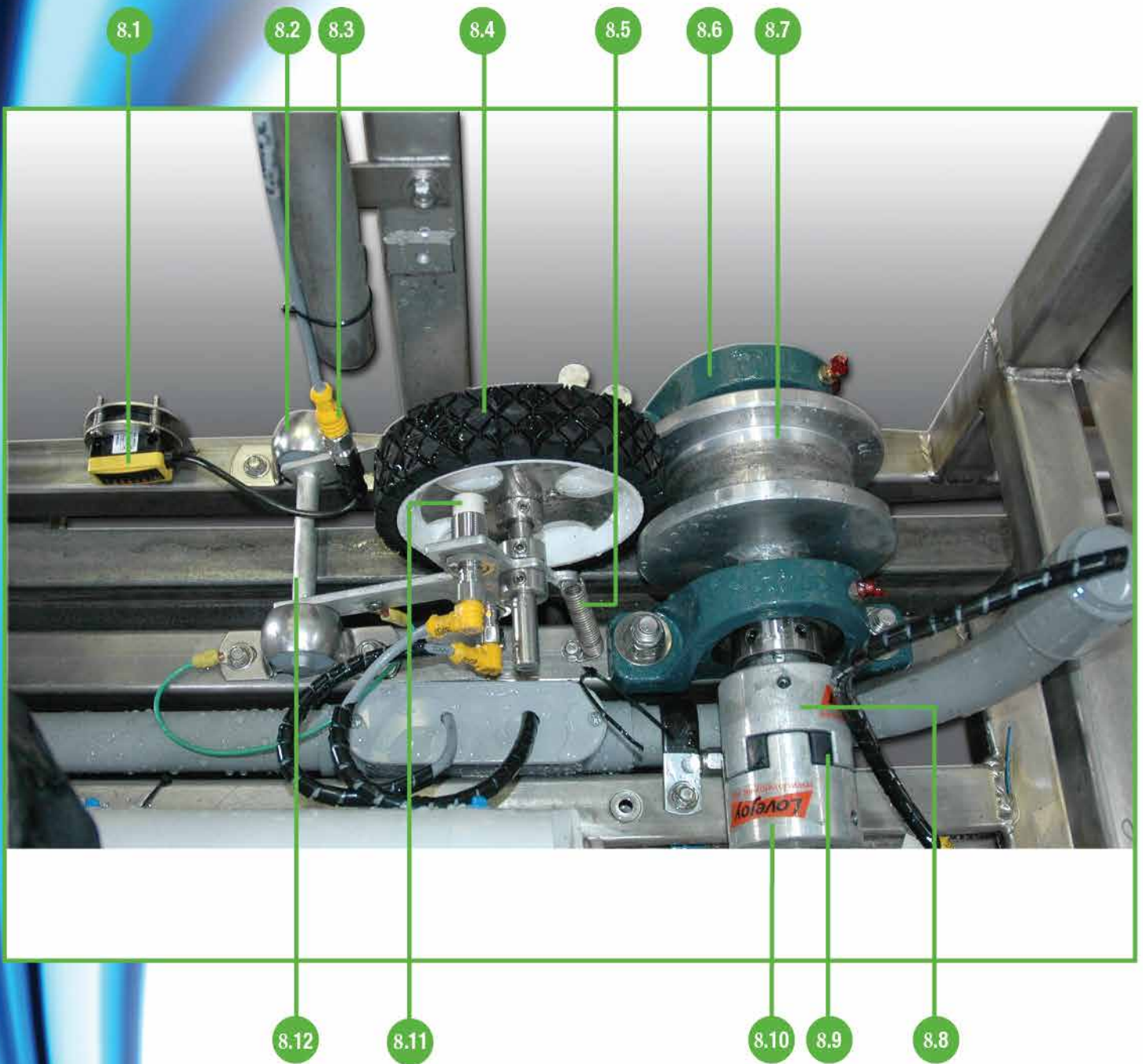
Gantry - Wheel Brush Assembly



Gantry - Wheel Brush Assembly

ITEM #	PART #	DESCRIPTION
7.1	74000-N	Swivel,HP,1/4"Mx3/8 F (Fusion)
7.2	06830	Collar,Shaft, 1" SS
7.3	22-2200P-4-4	Pipe Elbow-90 Brass 1/4"
7.4	80208	Nipple, 1/8" x 5-1/2" 304 SS
7.5	07519	Wheel Brush
7.6	06626-1	Prox 6m Hardwire
7.7	22-2200P-4-4	Pipe Elbow-90 Brass 1/4"
7.8	80207	Nipple, 1/8" x 3-1/2' 304 SS
7.9	55000-3	Wheel Brush Gear Motor

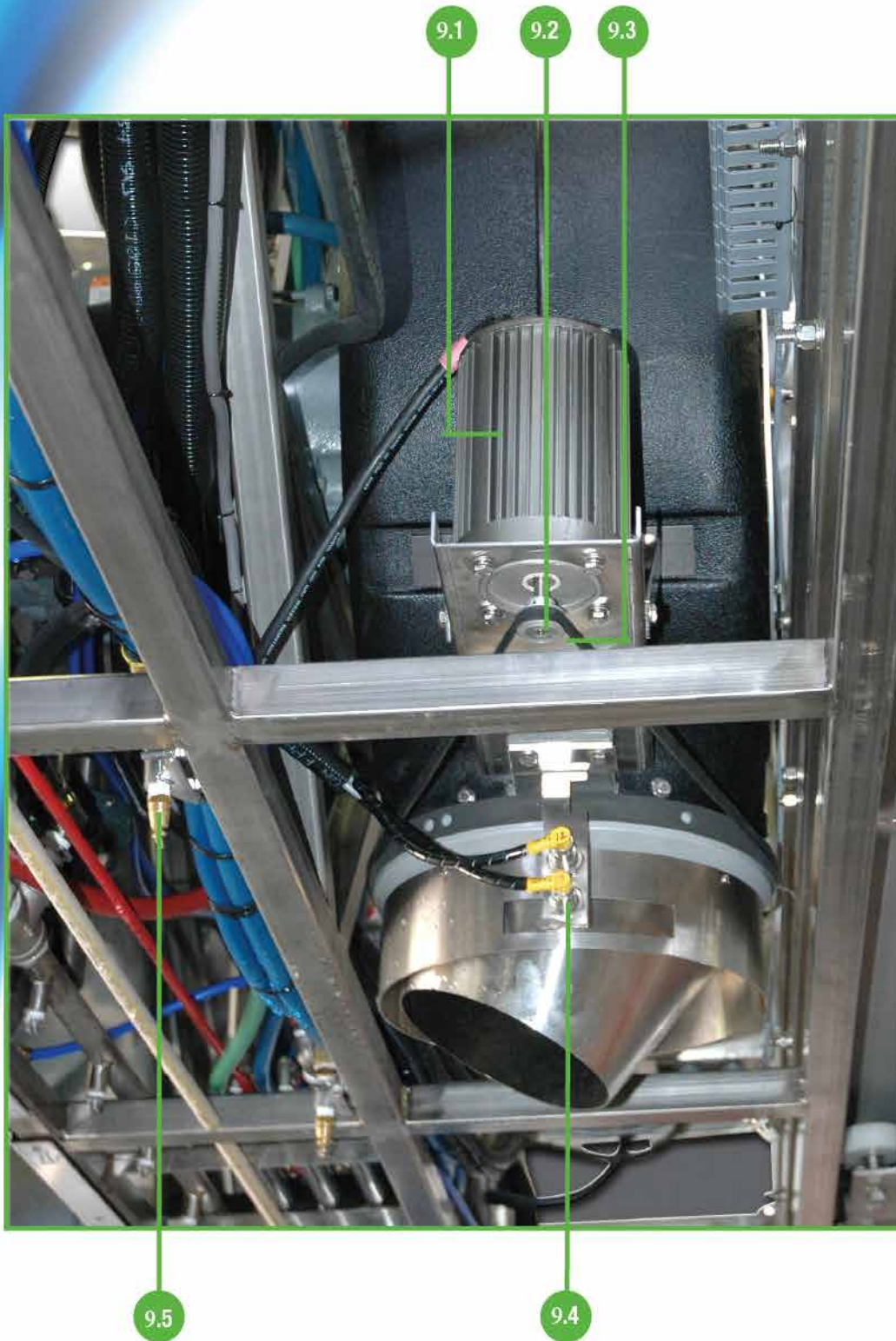
Gantry - Drive and Count Wheels



Gantry - Drive and Count Wheels

ITEM #	PART #	DESCRIPTION
8.1	06741-1	Receiver 8, Channel w/ Built in Cable
8.2	06647	Pillow Block Bearing - Nylon 1/2"
8.3	06715	Eye Cable - 4 Meter
8.4	06780	Count Wheel 1.5" x 6"
8.5	06781	Spring For Count Wheel
8.6	06851	Pillow Block Bearing - 1 1/4"
8.7	06500-W	Drive Wheel
8.8	06805	Love Joy 1 1/4" Wheel Shaft
8.9	06803	Love Joy Spider
8.10	06801	Love Joy 7/8" Gear Box
8.11	06626-1	Cable Prox - 18mm
8.12	06835	Count Wheel Bracket

Gantry - Oscillating Blower Assembly



Gantry - Oscillating Blower Assembly

ITEM #	PART #	DESCRIPTION
9.1	55239-LL	Motor, Oscillating - Blower
9.2	18241-1	Pulley For Oscillating Motor
9.3	18240-1	Belt - Smart/Oscillating Nozzle
9.4	06626-1	Prox - 18mm
9.5	06589	Jet Spiral Tip - Spot Free

Gantry - Instruction Signs



10.1

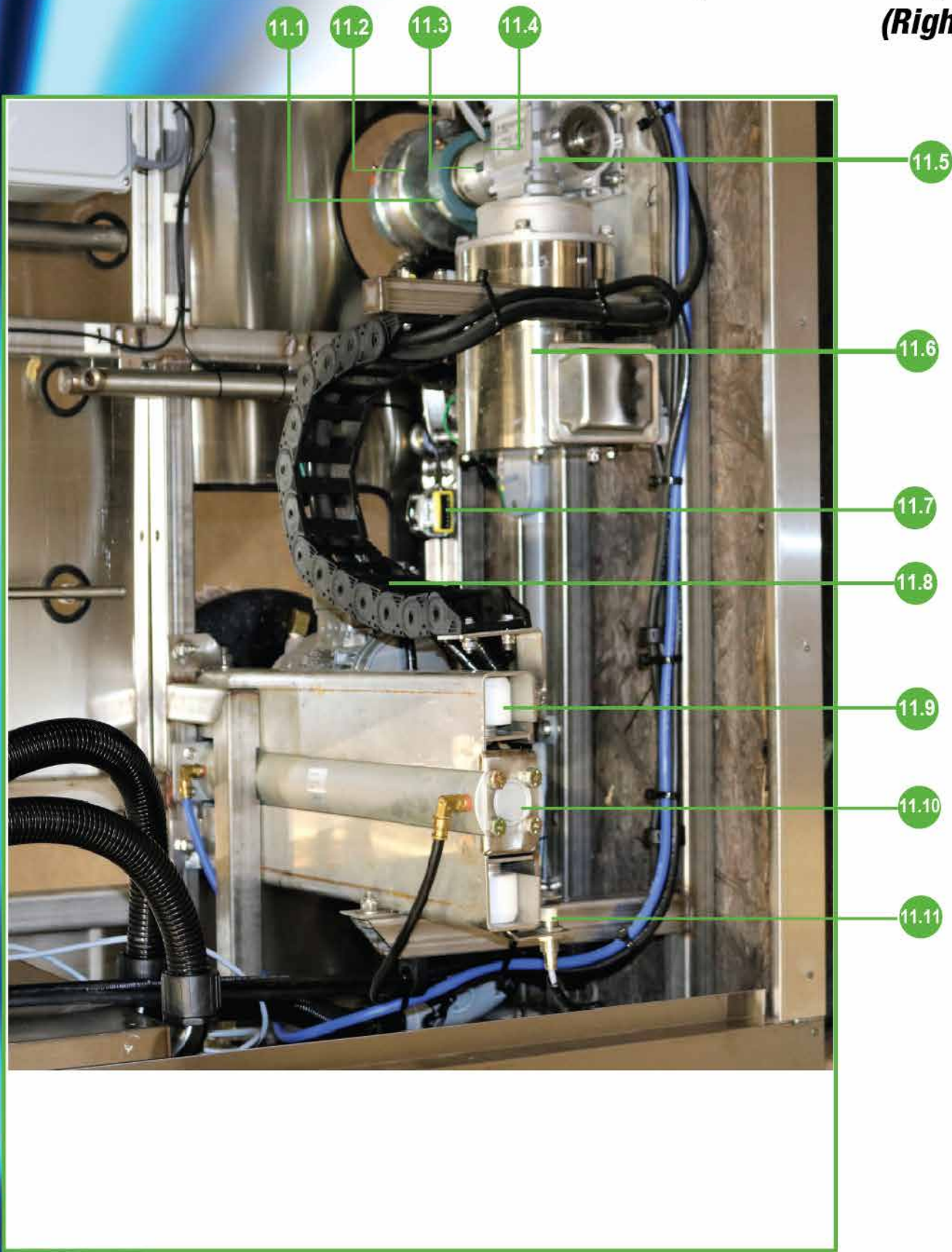
10.2

10.3

Gantry - Instruction Signs

ITEM #	PART #	DESCRIPTION
10.1	07550	LED Lamp 4" - Red
10.2	07552	LED Lamp 4" - Green
10.3	07551	LED Lamp 4" - Amber
10.4	06115	Scrolling Sign

**Gantry Drive - Passenger Side
(Right Side)**



Gantry Drive - Passenger Side - (Right Side)

ITEM #	PART #	DESCRIPTION
11.1	06851	Pillow Block Bearing 1-1/4" - VPS -120
11.2	06500-WS	Drive Wheel
11.3	06803	Love Joy Spider
11.4	06805&06801	Love Joy Couplings (1 1/4" on wheel side 7/8" on motor side)
11.5	55225-2	GEAR BOX 30:1 WASHDOWN
11.6	55230-4	MOTOR,0.5HP/60/3,56C,TENV,SST
11.7	06741-1	RECEIVER,8-CHANNEL,w/ 6M CABL
11.8	07515-2	CABLE CARRIER
11.9	07815	SLIDE ROLLER,Wheel Brush
11.10	07504	AIR CYL, 2.5" BORE X 18" STR
11.11	06626-1	PROX 10m HARDWIRE

Gantry Drive-Driver's Side



12.1

12.2

12.3

12.4

12.5

12.6

12.13

12.12

12.11

12.10

12.9

12.8

12.7

Gantry Drive-Driver's Side

ITEM #	PART #	DESCRIPTION
12.1	06626-1	PROX 10m HARDWIRE
12.2	07580	VIBE-MOUNT, 1.25x1.25x3/8-16 BUMPER
12.3	55000-3	WHEEL BRUSH DRIVE MOTOR
12.4	06742-1	EMITTER, 8 CHANNEL, w/ 6M CABLE
12.5	55230-4	MOTOR, 0.5HP/60/3,56C, TENV, SST
12.6	55225-2	GEAR BOX 30:1 WASHDOWN
12.7	06803	SPIDER INSERT BUNA-N BLACK
12.8	06801	LOVE JOY COUPLING 7/8"
12.9	06805	LOVE JOY COUPLING 1-1/4"
12.10	06851	PILLOW BLOCK-VPS-120 BEARING
12.11	06500-WS	DRIVE WHEEL
12.12	58091-1	REGULATOR 1/2" w/AUTODRAIN
12.13	06693-D	BUSS, DC ASS'Y, DRIVER SIDE

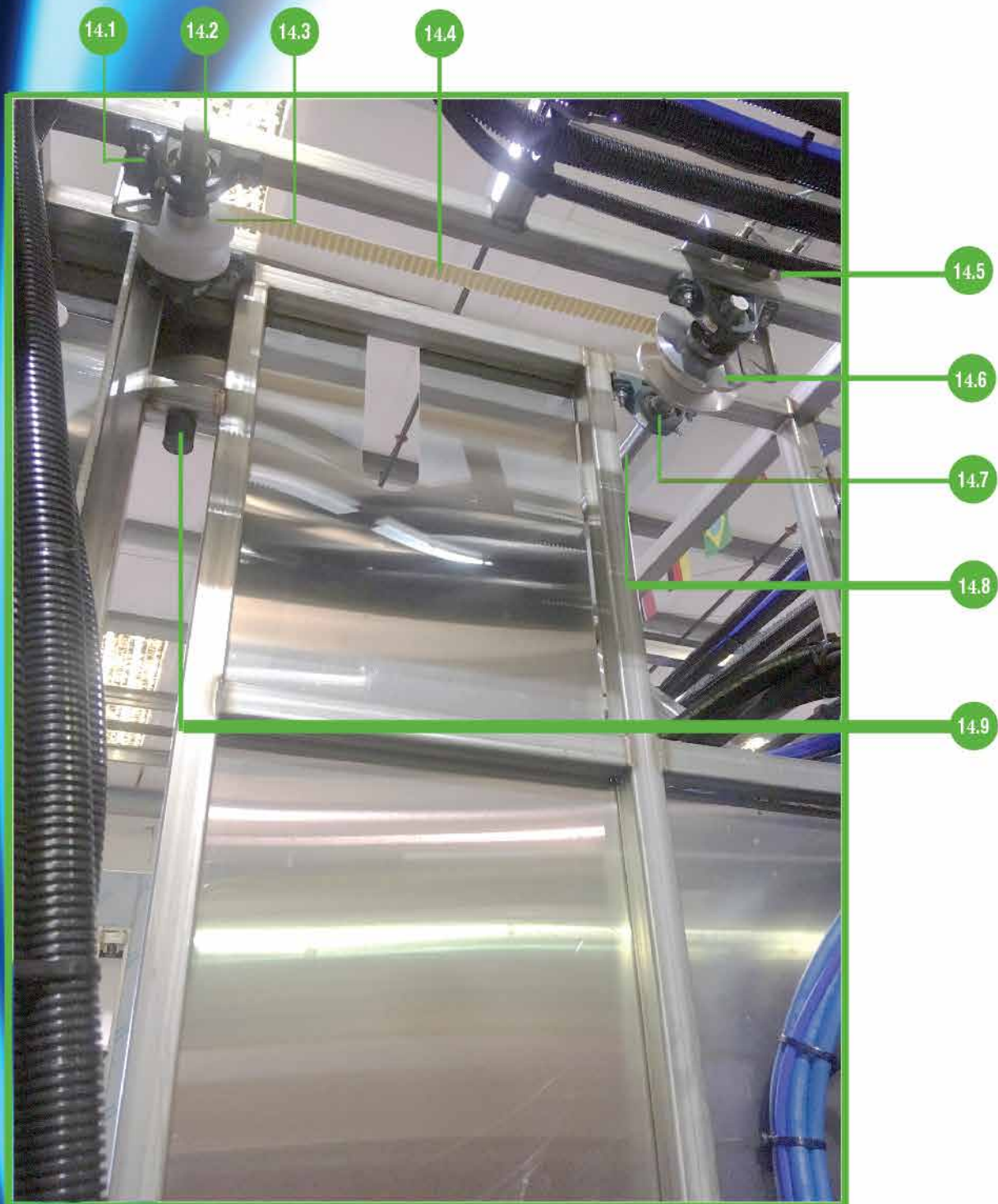
Gantry Upper - Top Brush Drive



Gantry Upper - Top Brush Drive

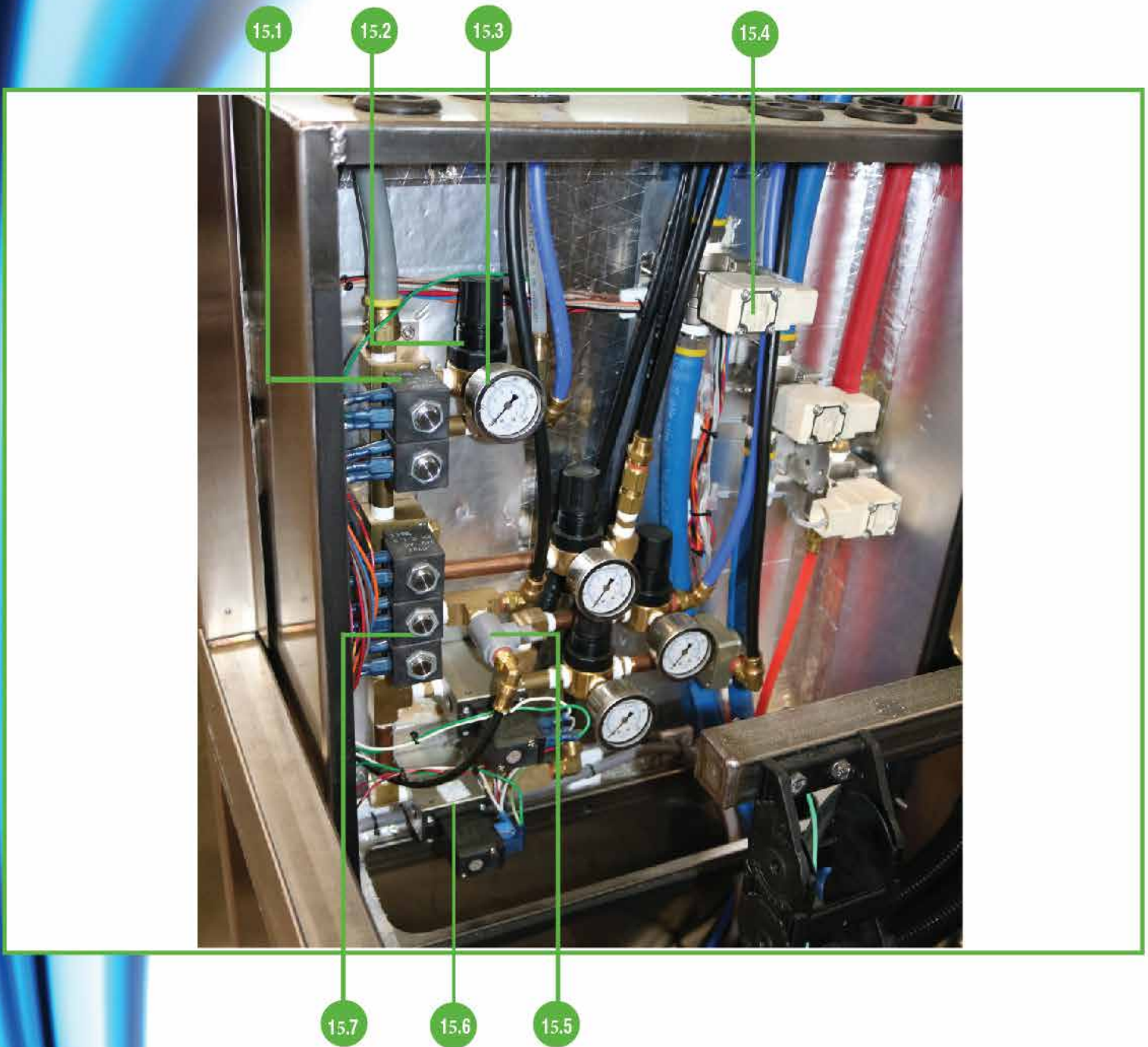
ITEM #	PART #	DESCRIPTION
13.1	06852	Belt Kevlar ST1 (Specify Length in FT)
13.2	06626-1	Prox 10m Hardwire
13.3	07822	Idler Pulley (MS-AC52)
13.4	06851	Pillow Block-VPS-120 Bearing
13.5	55001-3	Gear Motor 230V 1/2HP (10:1)
13.6	55001-3A	1" Touque Arm
13.7	07515	Cable Carrier
13.8	07512	Bearing Flange 1.5" 2 Bolt
13.9	07820	Guide Roller Halves

Gantry Upper - Top Brush



Gantry Upper - Top Brush

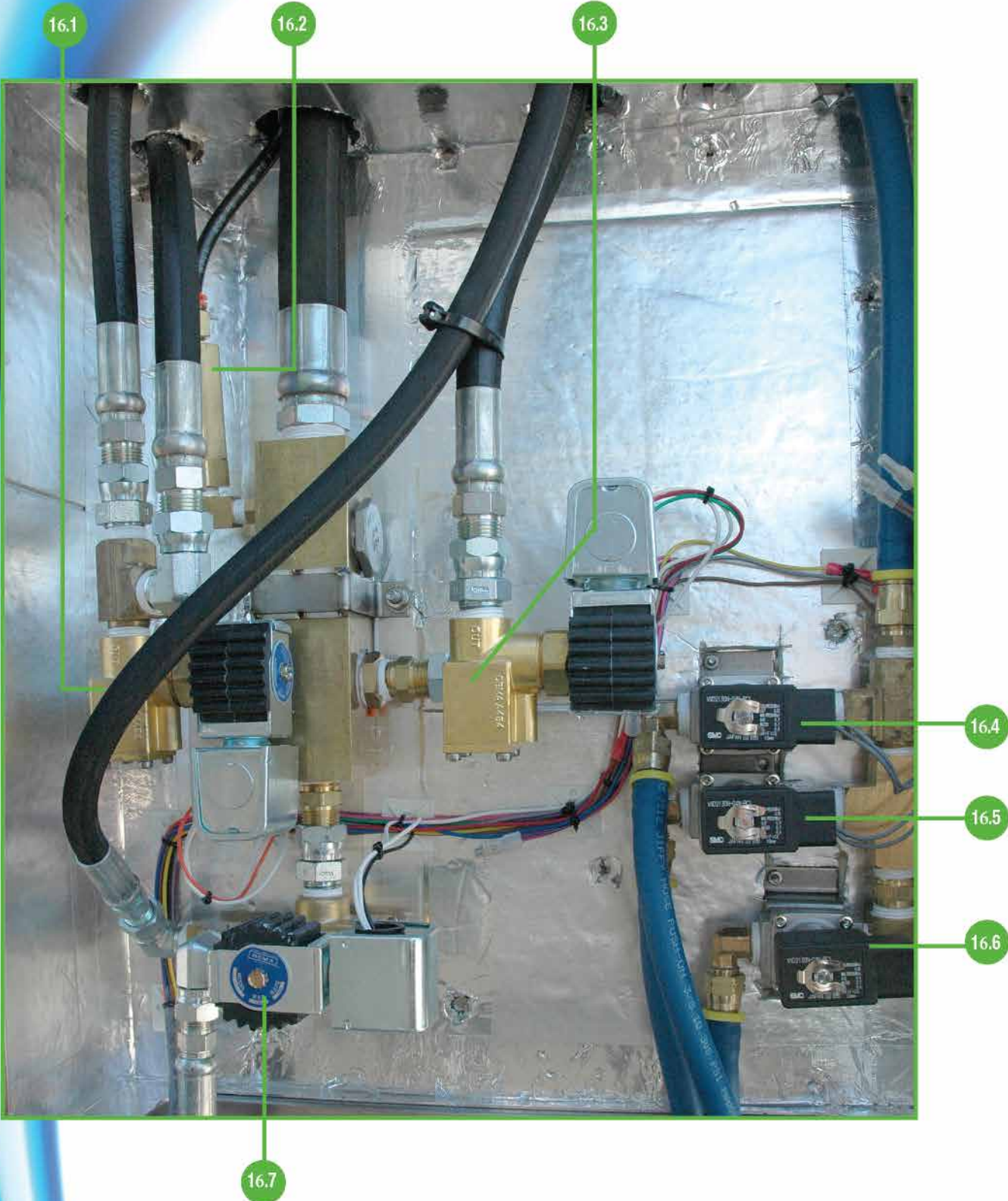
ITEM #	PART #	DESCRIPTION
14.1	06850	Pillow Block Bearing 1" - VPS - 116
14.2	07846	Idler Pulley Shaft
14.3	07822	Idler Pulley
14.4	06852	Kevlar Belt (Specify Length in FT)
14.5	06626-1	Prox 10m Hardwire
14.6	06605	Pulley Boom Aluminum
14.7	06850	Pillow Block Bearing 1" - VPS - 116
14.8	07824	Top Brush Drive Shaft - 1" x 31" (MS-107)
14.9	07580	Rubber Bump Stop



Low Pressure Box

ITEM #	PART #	DESCRIPTION
15.1	64021-42	2 Station High Pressure Brass Manifold
15.2	58055	Regulator, Watts 1/4"
15.3	47027	Gauge, Press, 1.5" 0-100 PSI CB
15.4	06520	Solenoid Valve, 1/2", 24VAC
15.5	86285	Valve-Turn-Gray 1-4" x 1/4" PVC
15.6	64000	Solenoid, Air 24 VAC Coil
15.7	64021	3 Station High Pressure Brass Manifold

High Pressure Box



High Pressure Box

ITEM #	PART #	DESCRIPTION
16.1	31030	Dema Valve 454P
16.2	34000	Check Valve Brass Super 184"
16.3	31030	Dema Valve 454P
16.4	06520	Solenoid Valve - 1/2" , 24VAC
16.5	06520	Solenoid Valve - 1/2" , 24VAC
16.6	06520	Solenoid Valve - 1/2" , 24VAC
16.7	31030	Dema Valve 454P

Gantry Electrical Panel- Lower

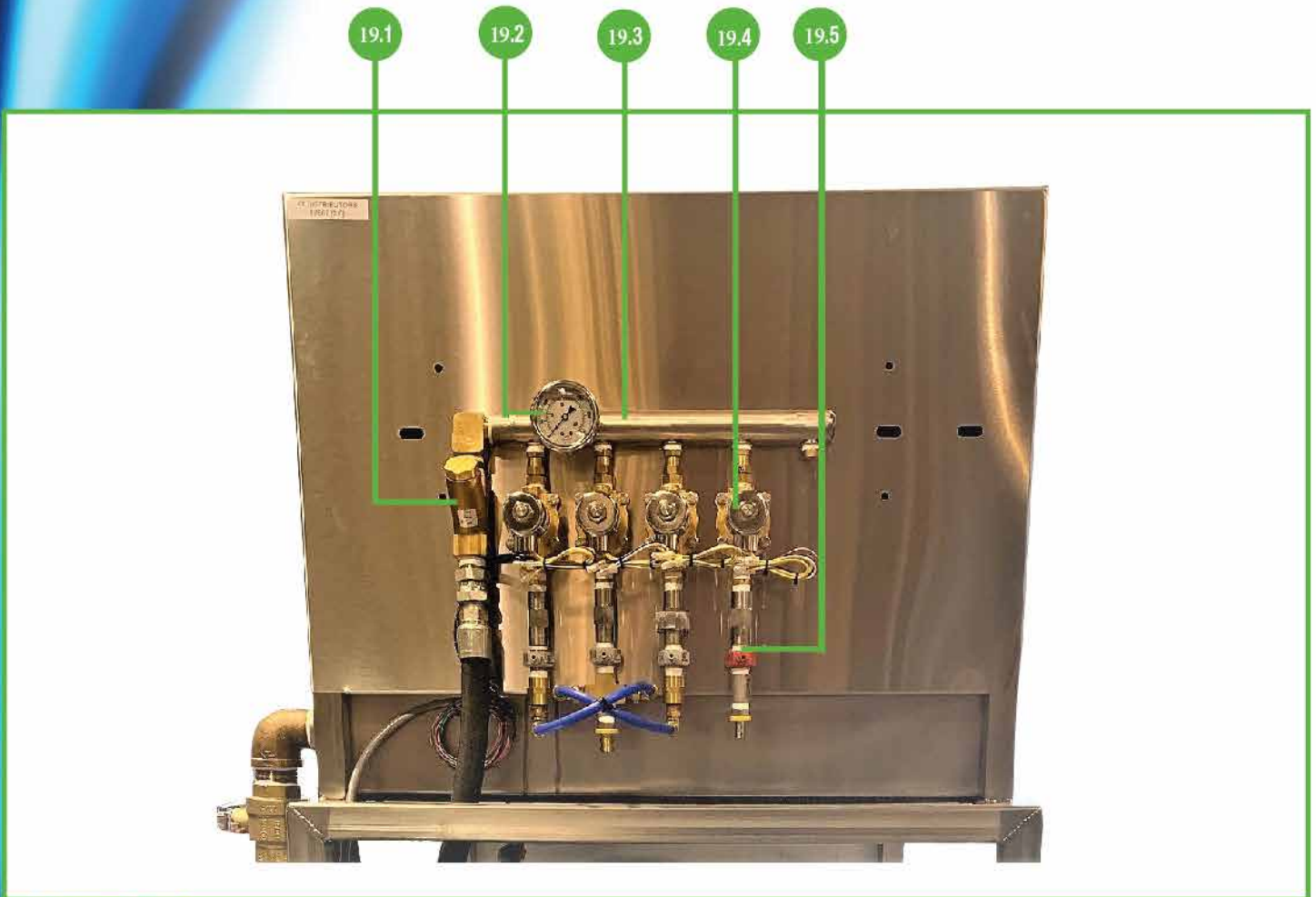
ITEM #	PART #	DESCRIPTION
17.1	40069	Switch, SPST (On-Off) 15A/120
17.2	72026	Push Button Switch (Yellow)
17.3	07524	Analog Input Card - SRTDA004
17.4	06920	Input Card - WW SRT2-ID16
17.5	07525	Analog Output Card - SRT2DA002
17.6	06785	Filter - 3VK3
17.7	06940	Relay Output Card - WW SRT2ROC16

Pump Stand - Front End View



Pump Stand - Front End View

ITEM #	PART #	DESCRIPTION
18.1	72050	Switch-Level (Side Mount)
18.2	22424	Elbow,90 Degree,2" Slip, MNPT
18.3	22-V500P-24	PVC Ball Valve-1-1/2"
18.4	58021-B	Brass Regulator



Pump Stand - Rear

ITEM #	PART #	DESCRIPTION
19.1	31055	Y-Strainer 3/4"FPT, 40Mesh, S/S Cylinder
19.2	47010	Gauge,Press,0-300-w/Clamp-CBM
19.3	0687(5/6/7)	L/P Manifold (5)-6 outlet (6)-7 outlet (7)- 8 outlet
19.4	64069	Solenoid-3/8NPT N.C. 24V 1-250
19.5	31065-(Color)	C-Flex Injector .057/1.0gpm (57=Red, 70=Orange, 83=Gray, 86=Blue, 98=Green)

Control Panel - Pump Stand



Control Panel - Pump Stand

ITEM #	PART #	DESCRIPTION
20.1	47020	Gauge,Press,2.5" 0-2000 PSI
20.2	06760	Unloader 1"
20.3	32-3535	Cat-Pump 36GP<
20.4	55267-W	Motor 25HP 3PH 60HZ 208-230V
20.5	31030	Dema VLV,Brass, 1/2",1200P,24VACA
20.6	31020	Dema VLV,Brass, 3/8,1200P,24VACA
20.7	57175-1FW	Pump, F&W Booster, 1.5HP/1PHH

Gantry Control Panel - Upper



21.1

21.2

Gantry Control Panel - Upper

ITEM #	PART #	DESCRIPTION
21.1	06973	Drive, 1HP/230V/5A/3PH/50-60HZ
21.2	06995	63AMP Disconnect Base Mount

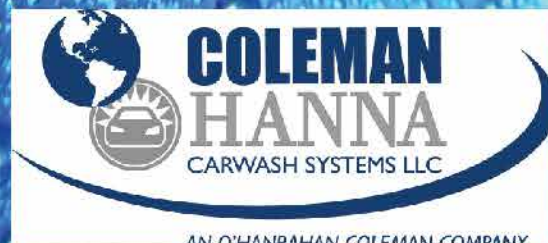


NOTES



NOTES





AN O'HANRAHAN COLEMAN COMPANY

5842 W. 34th Street Houston, Texas 77092
800-999-9878 713-683-9878 Fax: 713-683-9624
WWW.COLEMANHANNA.COM