



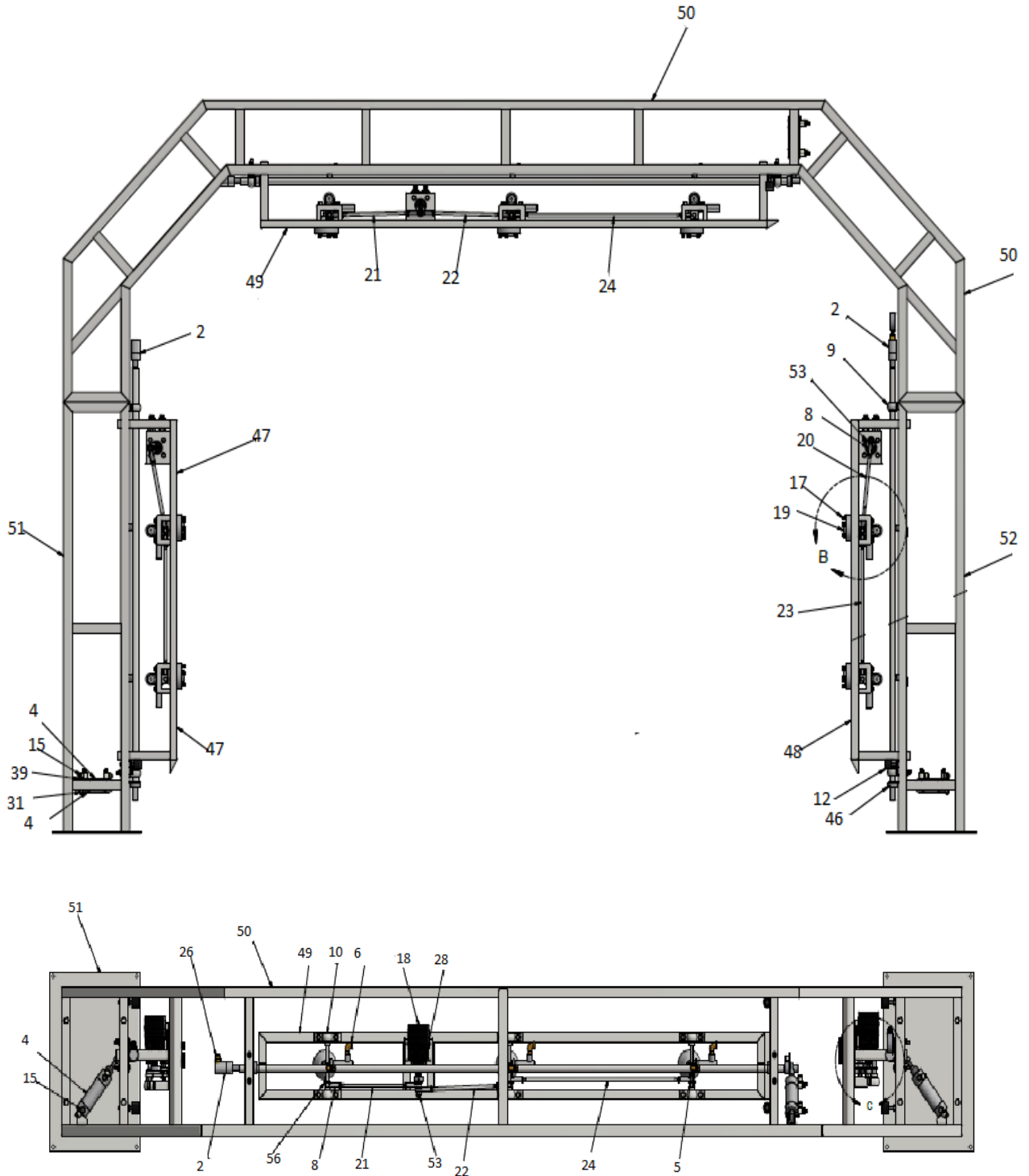
AN O'HANRAHAN COLEMAN COMPANY

ARCHES, APPLICATORS & PUMPING STATIONS

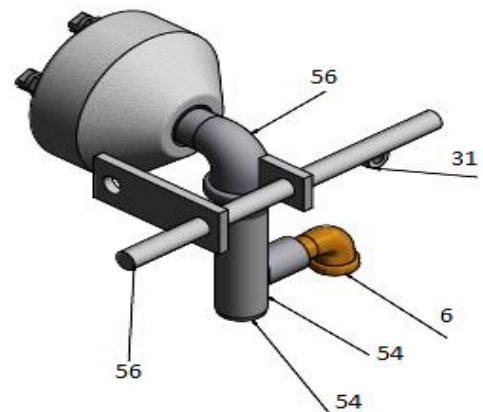
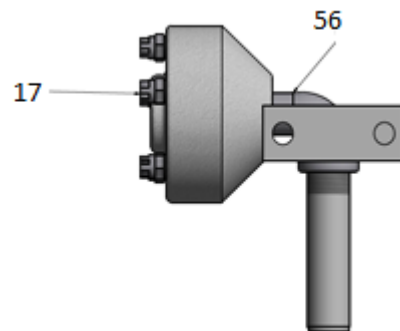
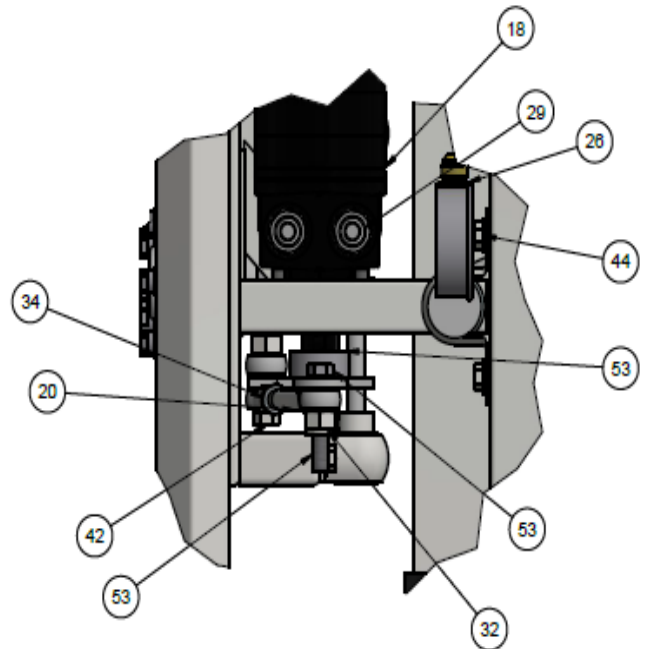
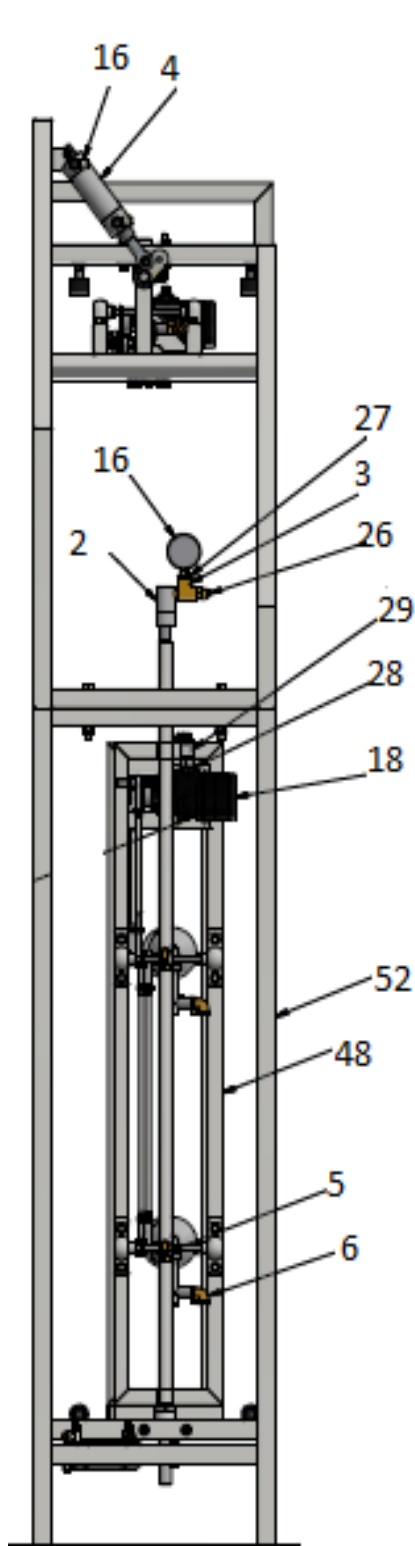


COLEMAN HANNA CARWASH SYSTEMS- 5842 W. 34th STREET- HOUSTON-TEXAS- 77092 TOLL FREE- (800) 999- 9878
INFO@COLEMANHANNA.COM WWW.COLEMANHANNA.COM

HANNA WATER WIZARD ARCH



HANNA WATER WIZARD ARCH

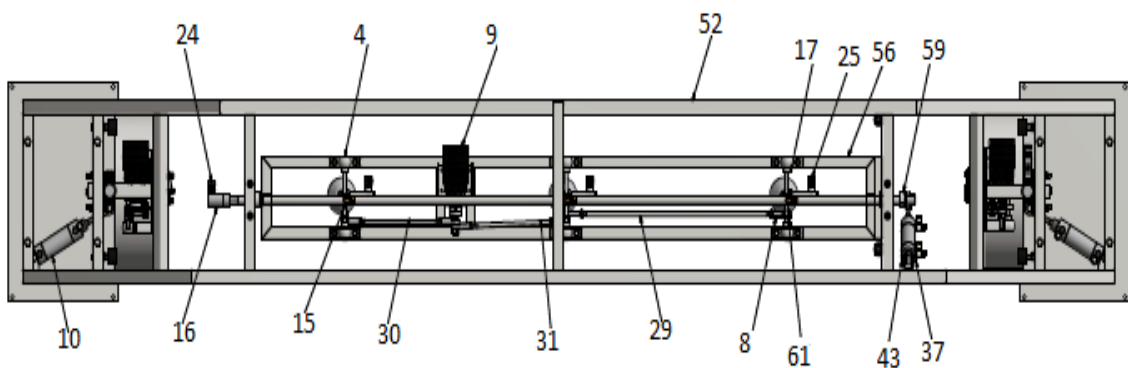
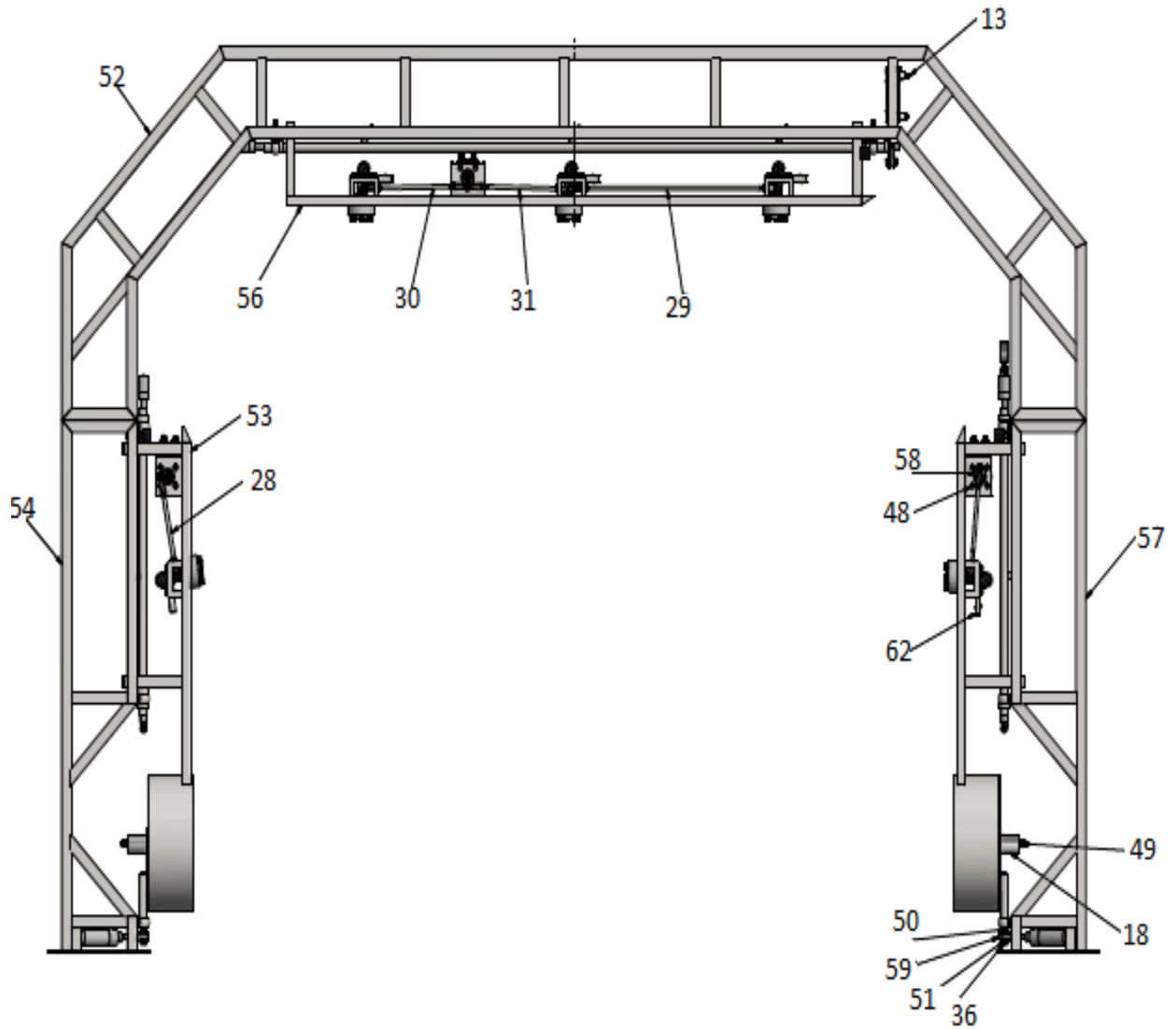




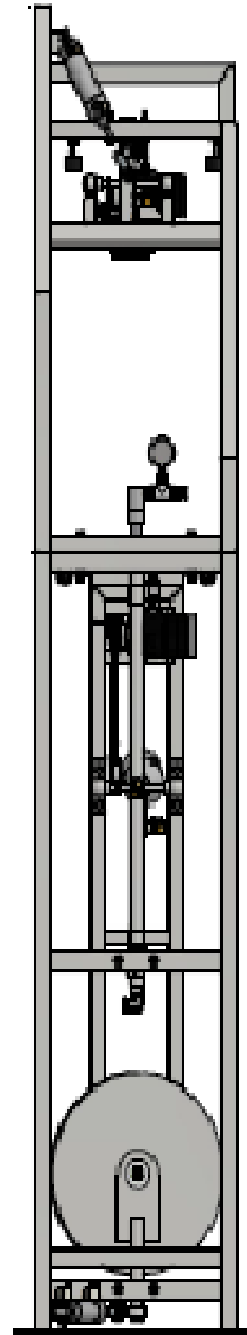
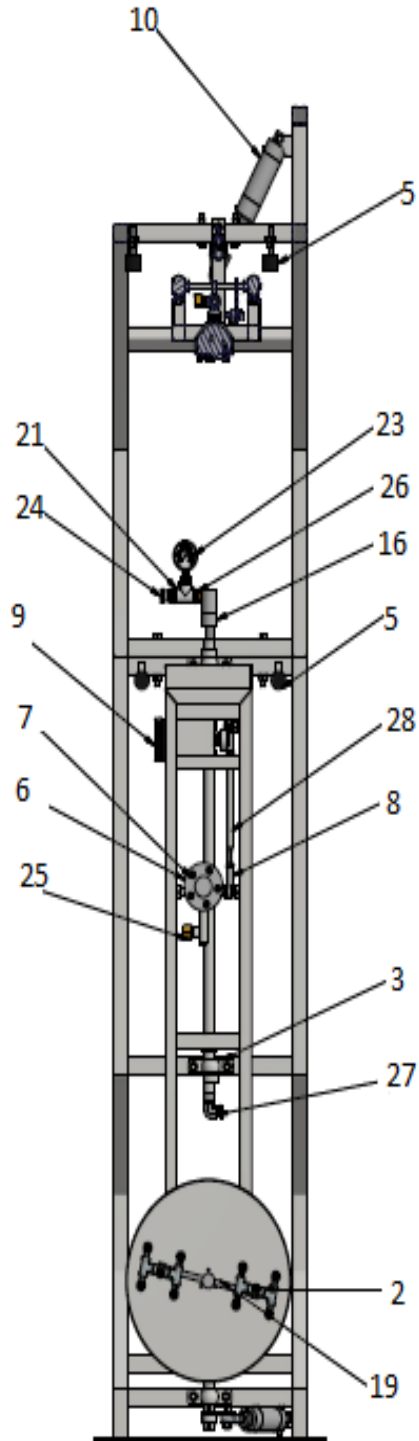
HANNA WATER WIZARD ARCH- PARTS LIST

56	H814907	0	TILT WELDMENT - RIGHT HAND	5
55	H814903	0	TILT WELDMENT - LEFT HAND	2
54	H814906	0	SPRAY HEAD EXTENSION	7
53	H814120	0	MOTOR DRIVE CRANK	3
52	H814860	0	LEG WELDMENT - RIGHT HAND	1
51	H814895	0	LEG WELDMENT - LEFT HAND	1
50	H814872	0	HEADER WELDMENT - WATER WIZARD	1
49	H814897	0	BOOM WELDMENTY - TOP	1
48	H814896	0	BOOM WELDMENT - RIGHT HAND	1
47	H814893	0	BOOM WELDMENT - LEFT HAND	1
46	H814121	0	BOOM TILT CRANK	3
45	H362805	-	WSHR SPLT LOCK SS 3/8"	12
44	H623040	-	WSHR FLAT SS 3/8"	52
43	H623043	-	WSHR FLAT SS 1/2"	4
42	H368359	-	SCR HEX CAP SS 7/16-14 UNC X 2 1/4	3
41	H368358	-	SCR HEX CAP SS 7/16-14 UNC X 1-1/2	4
40	H365220	-	SCR HEX CAP SS 3/8-16UNC X 3/4	28
39	H622951	-	SCR HEX CAP SS 3/8-16UNC X 1	3
38	H624844	-	SCR HEX CAP SS 3/8-16 UNC X 2 1/2	12
37	H622945	-	SCR HEX CAP SS 3/8"-16 UNC X 1-1/4"	12
36	H365625	-	SCR HEX CAP SS 1/2"-13 UNC X 4"	8
35	H622934	-	SCR HEX CAP SS 1/2"-13 UNC X 1 1/2"	2
34	H361515	-	NUT HEX JAM SS 7/16 - 20UNF	14
33	H622715	-	NUT HEX JAM SS 1/2"-13 UNC	12
32	H622686	-	NUT ESNA HEX SS 7/16-14 UNC	10
31	H622710	-	NUT ESNA HEX SS 3/8-16 UNC	43
30	H622709	-	NUT ESNA HEX SS 1/2"-13 UNC	11
29	H366968	-	FTG HYD INLINE SWIVEL 1/2" FJIC X 1/2" MJIC	4
28	H367486	-	FTG HYD 7/8"-14 O-RING X 1/2" MJIC	6
27	H621040	-	BSHG BRASS 1/2 X 1/4	1
26	H018648	-	#8-JIC X 1/2-NPT ADAPTER	3
25	H814916	0	UHMW SPACER	2
24	H814910	0	29 1/2" TIE ROD	1
23	H814911	0	20 1/2" TIE ROD	2
22	H814914	0	14" TIE ROD	1
21	H814913	0	13 3/4" TIE ROD	1
20	H814909	0	11" TIE ROD	2
19	H366633	-	SPRAY HEAD COMMANDER ARCH	7
18	H366066	-	MTR HYD PARKER # TE0165FP100A	3
17	H366634	-	JET 1.0 GPM 1/4" MPT SSI # 1/4 MEG-SS-0002	35
16	H070292	-	GUAGE 1/4-NPT 2000 PSI	1
15	H368068	-	FITTING, FLOW CONTROL , 3/8 POLY X NPT	6
14	H365100	-	COLLAR SET SOLID SS 1/2"	14
13	H623140	-	COLLAR SET SOLID SS 1"	4
12	H228536	-	BUMPER STOP, 1-1/2" X 1-1/4" X 1/2-13 UNC	6
11	H367094	-	BEARING, ROD END 1/2"-20 UNF	4
10	06647	-	BEARING, 1/2" STAMPED SS HOUSING	14
9	06645-1	-	BEARING, 1 1/8" STAMPED SS HOUSING	6
8	H368354	-	7/16 ROD END	14
7	H368356	-	3/8 X 18" HOSE ASSY (NOT SHOWN)	7
6	H015263	-	3/8 STREET ELBOW	7
5	22-2107-6-6	-	3/8 PIPE X JIC SWIVEL ELBOW	7
4	H368355	-	2" X 3" STROKE PNEUMATIC CYLINDER	3
3	H368357	-	1/2" BRASS RUN TEE	1
2	74005	-	1/2" 90-DEGREE SUPER SWIVEL	3
1	H367161	0	VALVE PANEL ASSEMBLY - NOT SHOWN	1
ITEM	PART NO.	REV	DESCRIPTION	QTY

HANNA WATER WIZARD COMBO ARCH



HANNA WATER WIZARD COMBO ARCH



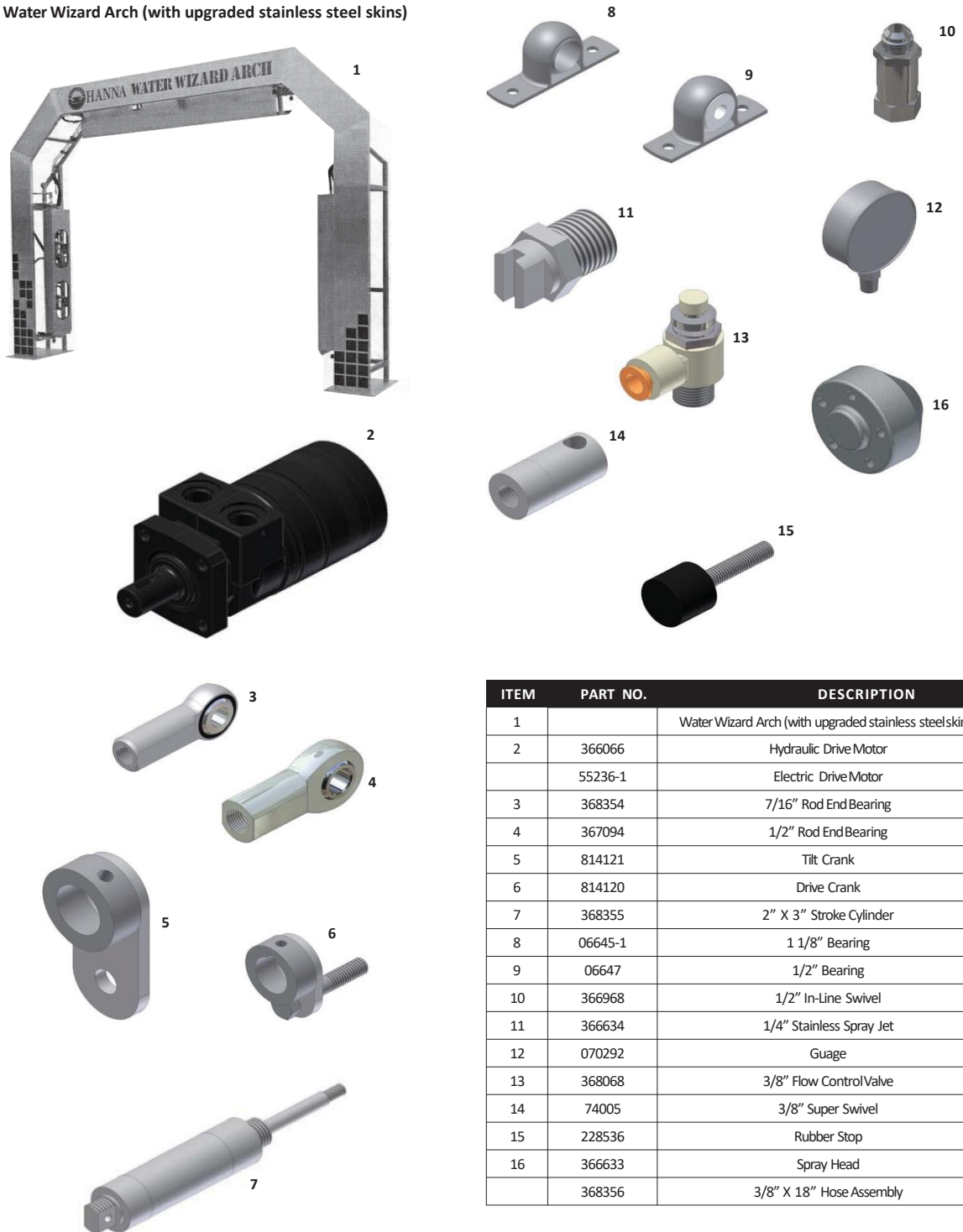


HANNA WATER WIZARD COMBO ARCH- PARTS LIST

63	22-0006	0	3/8" X 19" SYNIFLEX HOSE	5
62	H814906-N	0	SPRAY HEAD EXTENSION	5
61	H814907-N	0	OSCILLATING BAR D/S (W.A)	4
60	H814903-N	0	OSCILLATING BAR P/S (W.A)	1
59	H814121	0	BOOM TILT CRANK	3
58	H814120	0	MOTOR DRIVE CRANK	3
57	H816708	0	LEG WELDMENT-PASSENGER SIDE	1
56	H814897	0	BOOM WELDMENTY - TOP	1
55	H816700	0	PASSENGER SIDE BOOM WELDMENT	1
54	H816709	0	LEG WELDMENT-DRIVER SIDE	1
53	H816701	0	DRIVER SIDE BOOM WELDMENT	1
52	H814872	0	HEADER WELDMENT - WATER WIZARD	1
51	H623043	-	WSHR FLAT SS 1/2"	6
50	H622934	-	SCR HEX CAP SS 1/2"-13 UNC X 1 1/2"	3
49	H027458	-	FTG HYD 1/2-JIC X 3/8-NPT	2
48	H622945	-	SCR HEX CAP SS 3/8"-16 UNC X 1-1/4"	12
47	H362805	-	WSHR SPLT LOCK SS 3/8"	12
46	H368359	-	SCR HEX CAP SS 7/16-14 UNC X 2 1/4	1
45	H368358	-	SCR HEX CAP SS 7/16-14 UNC X 1-1/2	4
44	H622686	-	NUT ESNA HEX SS 7/16-14 UNC	8
43	H622951	-	SCR HEX CAP SS 3/8-16UNC X 1	3
42	H365220	-	SCR HEX CAP SS 3/8-16UNC X 3/4	20
41	H624844	-	SCR HEX CAP SS 3/8-16 UNC X 2 1/2	16
40	H365625	-	SCR HEX CAP SS 1/2"-13 UNC X 4"	8
39	H622715	-	NUT HEX JAM SS 1/2"-13 UNC	12
38	H623040	-	WSHR FLAT SS 3/8"	53
37	H622710	-	NUT ESNA HEX SS 3/8-16 UNC	39
36	H622709	-	NUT ESNA HEX SS 1/2"-13 UNC	11
35	H367486	-	FTG HYD 7/8"-14 O-RING X 1/2" MJIC	6
34	H366968	-	FTG HYD INLINE SWIVEL 1/2" FJIC X 1/2" MJIC	4
33	H361515	-	NUT HEX JAM SS 7/16 - 20UNF	10
32	H814916	0	UHMW SPACER	1
31	H814914	0	14" TIE ROD	1
30	H814913	0	13 3/4" TIE ROD	1
29	H814910	0	29 1/2" TIE ROD	1
28	H814909	0	11" TIE ROD	2
27	22-2107-8-6	-	1/2" X 3/8" MALE X FEMALE PIPE SWIVEL 90	2
26	22-216P-8	-	1/2" HEX NIPPLE	1
25	22-2202P-6-6	-	3/8" 90Deg Street Elbow	5
24	22-0107-8-8	-	1/2" PIPE SWIVEL	3
23	47020	-	0-2000 PSI GAUGE 1/4" LM	1
22	22-209P-8-4	-	PIPE BUSHING 1/2"X1/4"	1
21	22446	-	1/2" TEE SS 304	1
20	22-216P-12-8	-	PIPE HEX NIPPLE 3/4"X1/2"	5
19	H368383	-	DUAL SPRAY ARM, 1/4-NPT	2
18	H368382	-	LIVE SWIVEL, 3/8-NPT, 5000 PSI	2
17	H365100	-	COLLAR SET SOLID SS 1/2"	10
16	74005	-	1/2" 90-DEGREE SUPER SWIVEL	3
15	22-2107-6-6	-	3/8 PIPE X JIC SWIVEL ELBOW	5
14	H368356	-	3/8 X 18" HOSE ASSY (NOT SHOWN)	7
13	H368068	-	FITTING, FLOW CONTROL , 3/8 POLY X NPT	6
12	H623140	-	COLLAR SET SOLID SS 1"	7
11	H367094	-	BEARING, ROD END 1/2"-20 UNF	3
10	H368355	-	2" X 3" STROKE PNEUMATIC CYLINDER	3
9	H366066	-	MTR HYD PARKER # TE0165FP100A	3
8	H368354	-	7/16 ROD END	10
7	H366634	-	JET 1.0 GPM 1/4" MPT SSI # 1/4 MEG-SS-0002	25
6	H366633	-	SPRAY HEAD COMMANDER ARCH	5
5	H228536	-	BUMPER STOP, 1-1/2" X 1-1/4" X 1/2-13 UNC	6
4	06647	-	BEARING, 1/2" STAMPED SS HOUSING	10
3	06645-1	-	BEARING, 1 1/8" STAMPED SS HOUSING	8
2	H815071	0	SPRAY HEAD 2.0	4
1	H367161	0	VALVE PANEL ASSEMBLY - NOT SHOWN	1
ITEM	PART NO.	REV	DESCRIPTION	QTY

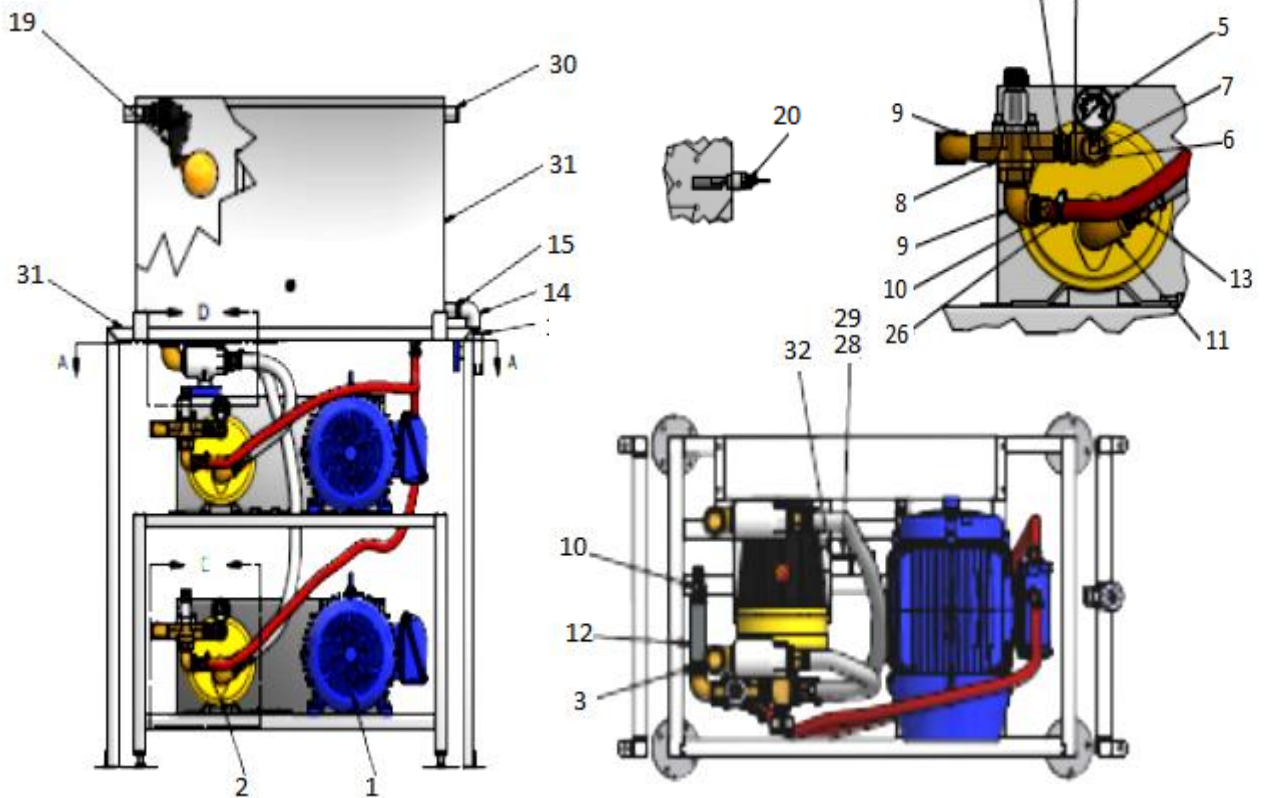
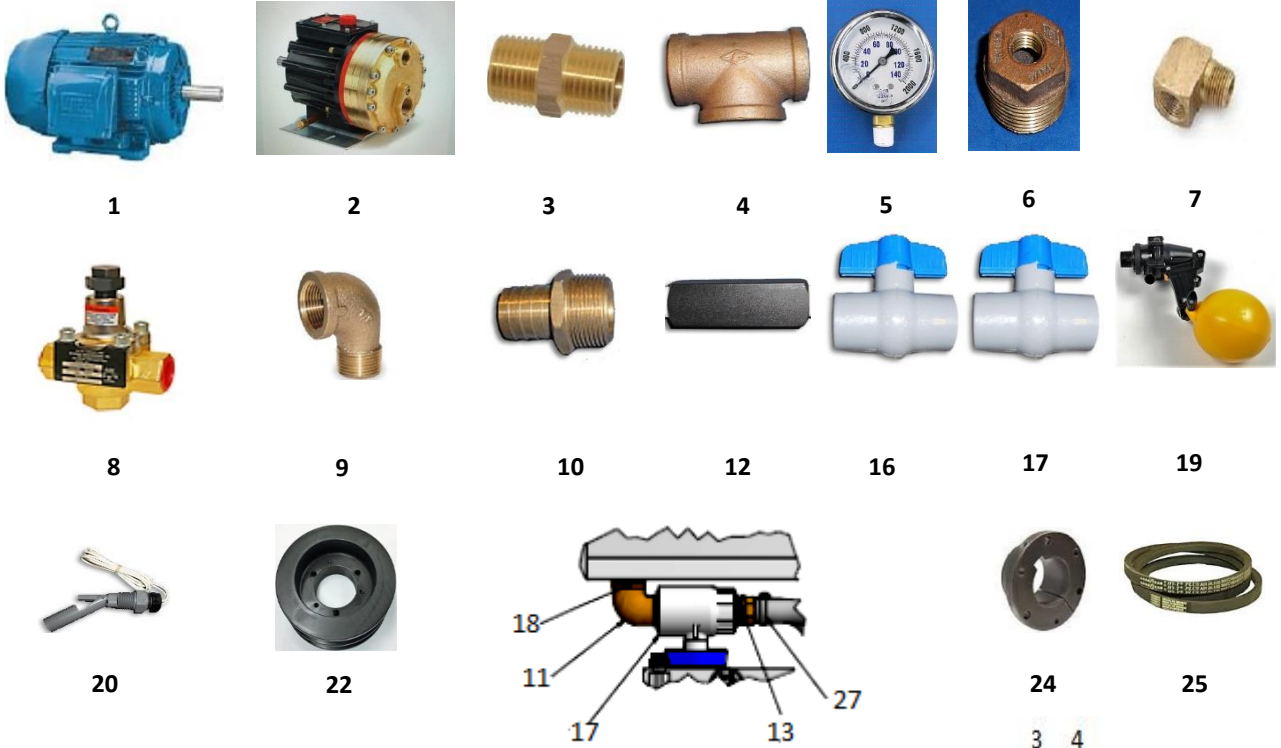
WATER WIZARD & COMBO WIZARD ARCHES HIGH PRESSURE AND VOLUME APPLICATIONS

Water Wizard Arch (with upgraded stainless steel skins)



ITEM	PART NO.	DESCRIPTION
1		Water Wizard Arch (with upgraded stainless steelskins)
2	366066	Hydraulic Drive Motor
	55236-1	Electric Drive Motor
3	368354	7/16" Rod End Bearing
4	367094	1/2" Rod End Bearing
5	814121	Tilt Crank
6	814120	Drive Crank
7	368355	2" X 3" Stroke Cylinder
8	06645-1	1 1/8" Bearing
9	06647	1/2" Bearing
10	366968	1/2" In-Line Swivel
11	366634	1/4" Stainless Spray Jet
12	070292	Gauge
13	368068	3/8" Flow Control Valve
14	74005	3/8" Super Swivel
15	228536	Rubber Stop
16	366633	Spray Head
	368356	3/8" X 18" Hose Assembly

SINGLE/DUAL HIGH PRESSURE PUMPING STATION





SINGLE HIGH PRESSURE PUMPING STATION- PARTS LIST

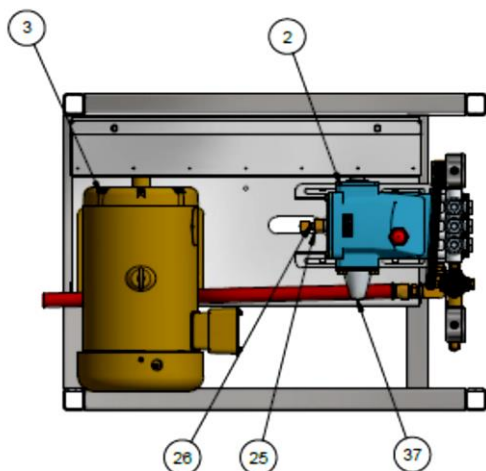
34	H 817706	BASE PLATE HOLDER	1
33	H817677	SINGLE HIGH PRESSURE PUMP FRAME	1
32	H362795	NUT HEX SS 1/2-13 UNC	1
31	H366702	SCR HEX CAP SS 1/2"-13 UNC X 4" - FULL THD	1
30	H361181	PLUG PVC SCH 80 1" MPT	1
29	22-218P-16	Plug with External Hex Drive, 1 NPT	1
28	22-218P-32	Solid Plug with External Square Drive, 1-1/2 NPT Male	1
27	H190785	SS WORM GEAR CLAMP 1-1/4 -1-3/4	2
26	39487	WORM CLAMP 1 - 1 1/2	2
25	H368085	B- 57 BELT -60 HZ ONLY	2
24	H329706	BSHG TL SDS 1 5/8 (120406)	1
23	H366829	BSHG TL SK - 1.125 (120423)	1
22	H368069	SHEAVE - 60 HZ ONLY	1
21	H366827	SHEAVE 2B94SK REF DIA 9.40 (45	1
20	H316117	1/2" NPT FLOAT SWITCH	1
19	H58002	TOPAZ VALVE	1
18	22-215PN-24	1-1/2" PIPE CLOSE NIPPLE	1
17	H366060	1-1/2" PVC BALL VALVE	1
16	H366775	1" PVC BALL VALVE	1
15	H193100	1" PVC CLOSE NIPPLE	2
14	H361004	1" PVC 90 EL FNPT SCH80	1
13	H366094	HOSE BARB BR 1-1/2 X 1-1/2 HS	2
12	H366830	1" CHECK VALVE, C1600	1
11	H367978	1-1/2" STREET 90 BRASS	2
10	H621245	1" BRASS HOSE BARB X 1" NPT	3
9	H367970	1" BRASS ST EL 90 [bar stock only]	2
8	H345611	1" BYPASS REGULATOR	1
7	H014738	90° Street Elbow	1
6	H367972	1" X 1/4" PIPE BUSHING BRASS	1
5	47020	0-2000 PSI GAUGE 1/4" LM	1
4	H621098	TEE BR 1" FNPT 150#	1
3	H367974	1" BRASS HEX NIPPLE	3
2	H329532	WANNER PUMP, H-25	1
1	H367589	WEG MOTOR 15HP 1750RPM 60HZ	1
ITEM	PART NO.	DESCRIPTION	QTY



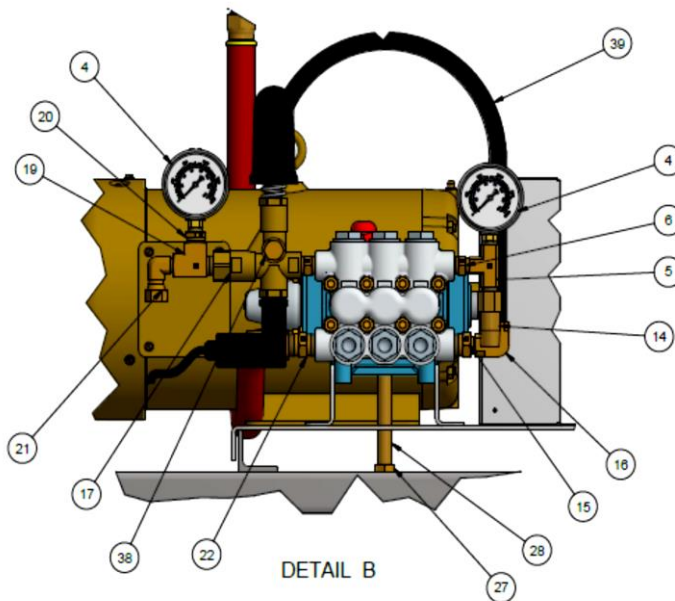
DUAL HIGH PRESSURE PUMPING STATION- PARTS LIST

32	H817706	BASE PLATE HOLDER	2
31	H817695	DUAL PUMP FRAM, ASSEMBLY	1
30	H361181	PLUG PVC SCH 80 1" MPT	1
29	H362795	NUT HEX SS 1/2-13 UNC	2
28	H366702	SCR HEX CAP SS 1/2"-13 UNC X 4" - FULL THD	2
27	H190785	SS WORM GEAR CLAMP 1-1/4 -1-3/4	4
26	39487	WORM CLAMP 1 - 1 1/2	4
25	H368085	B- 57 BELT -60 HZ ONLY	4
24	H329706	BSHG TL SDS 1 5/8 (120406)	2
23	H366829	BSHG TL SK - 1.125 (120423)	2
22	H368069	SHEAVE - 60 HZ ONLY	2
21	H366827	SHEAVE 2B94SK REF DIA 9.40 (45	2
20	H316117	1/2" NPT FLOAT SWITCH	1
19	58002	TOPAZ VALVE	1
18	22-215PN-24	1-1/2" PIPE CLOSE NIPPLE	2
17	H366060	1-1/2" PVC BALL VALVE	2
16	H366775	1" PVC BALL VALVE	1
15	H193100	1" PVC CLOSE NIPPLE	2
14	H361004	1" PVC 90 EL FNPT SCH80	1
13	H366094	HOSE BARB BR 1-1/2 X 1-1/2 HS	4
12	H366830	1" CHECK VALVE, C1600	2
11	H367978	1-1/2" STREET 90 BRASS	4
10	H621245	1" BRASS HOSE BARB X 1" NPT	6
9	H367970	1" BRASS ST EL 90 [bar stock only]	4
8	H345611	1" BYPASS REGULATOR	2
7	H014738	90° Street Elbow	2
6	H367972	1" X 1/4" PIPE BUSHING BRASS	2
5	47020	0-2000 PSI GAUGE 1/4" LM	2
4	H621098	TEE BR 1" FNPT 150#	2
3	H367974	1" BRASS HEX NIPPLE	6
2	H329532	WANNER PUMP, H-25	2
1	H367589	WEG MOTOR 15HP 1750RPM 60HZ	2
ITEM	PART NO.	DESCRIPTION	QTY

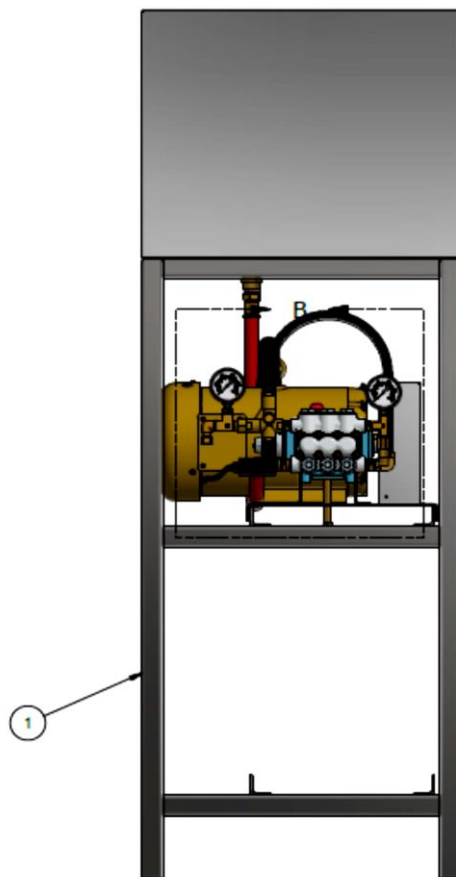
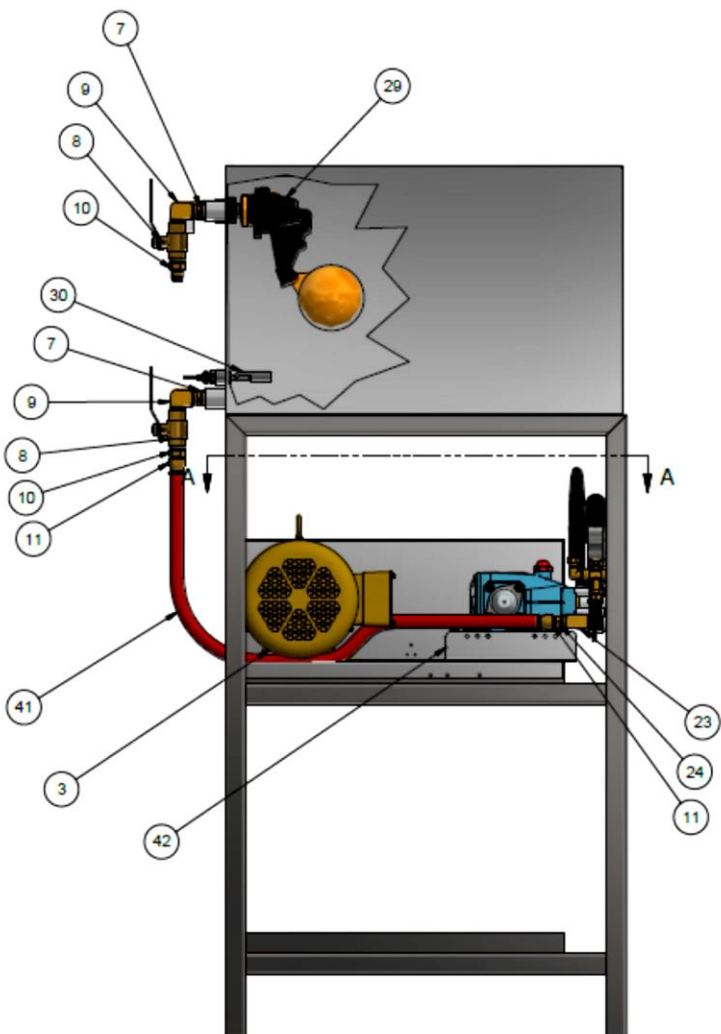
MANUAL PREP w/SINGLE PUMP



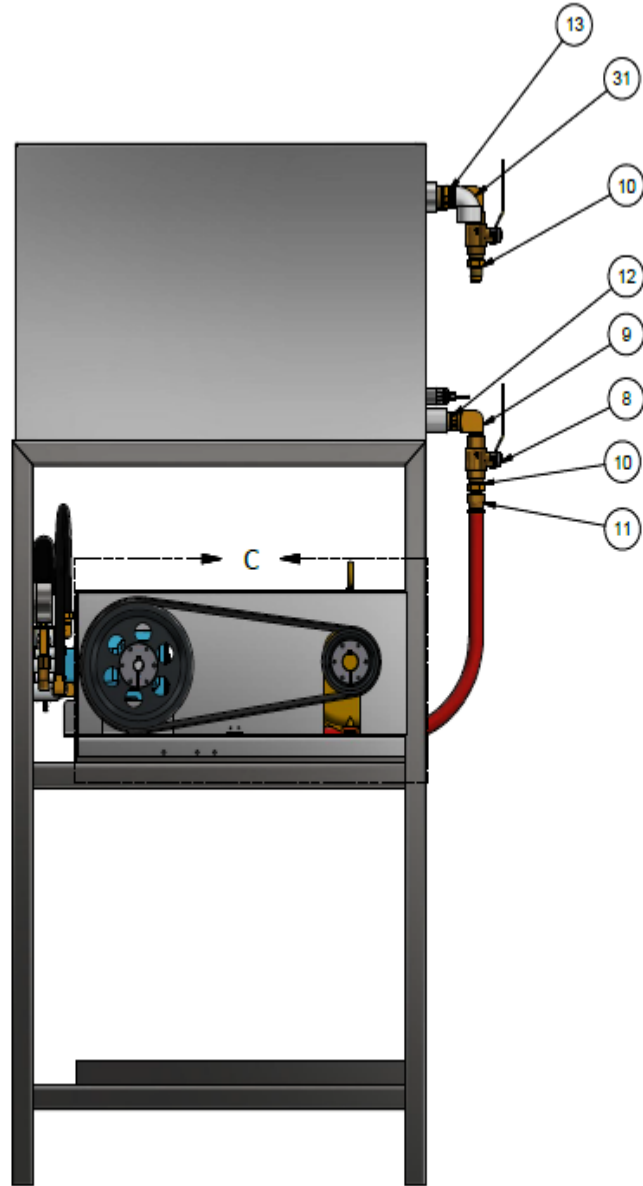
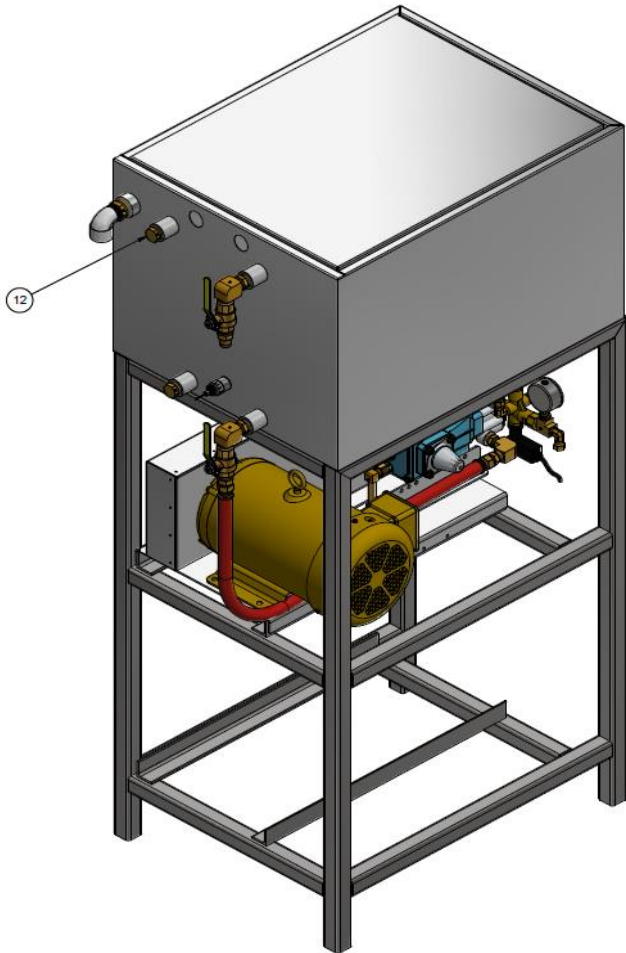
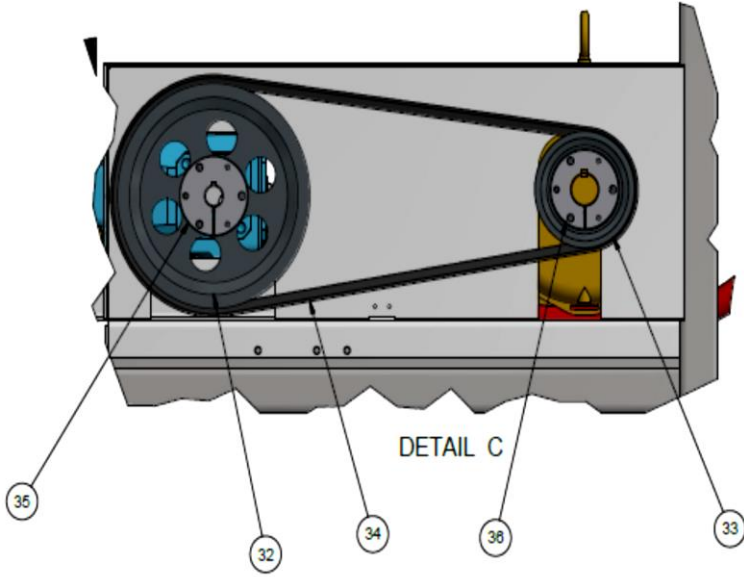
SECTION A-A



DETAIL B

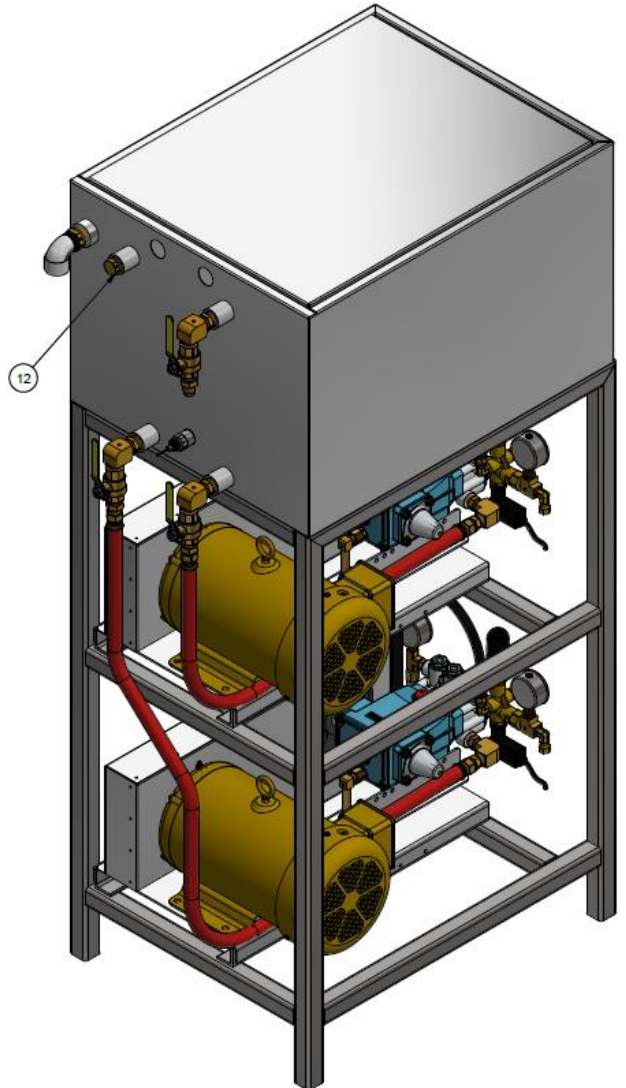
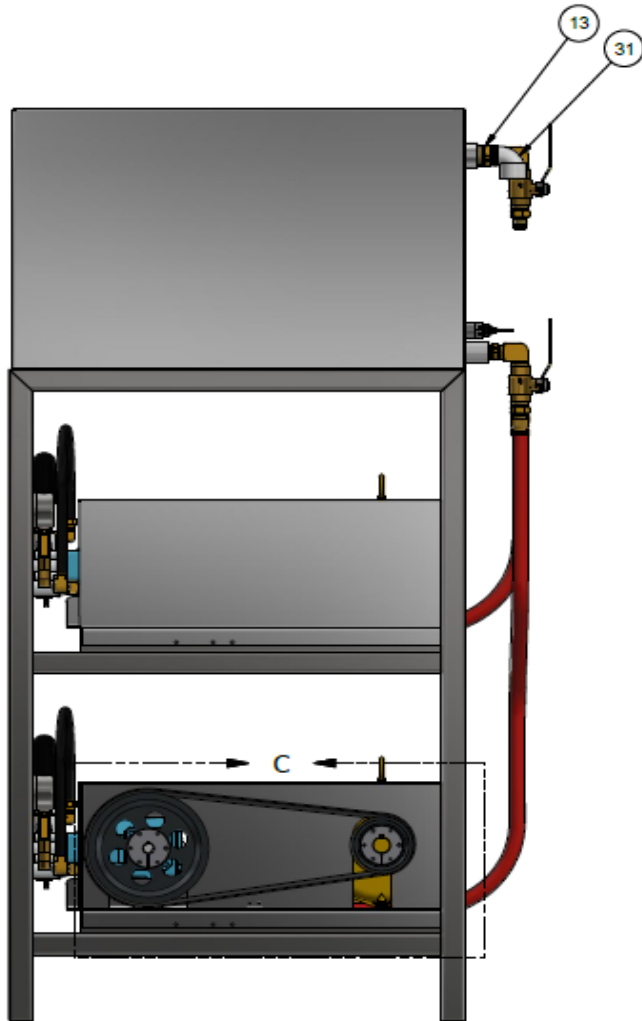
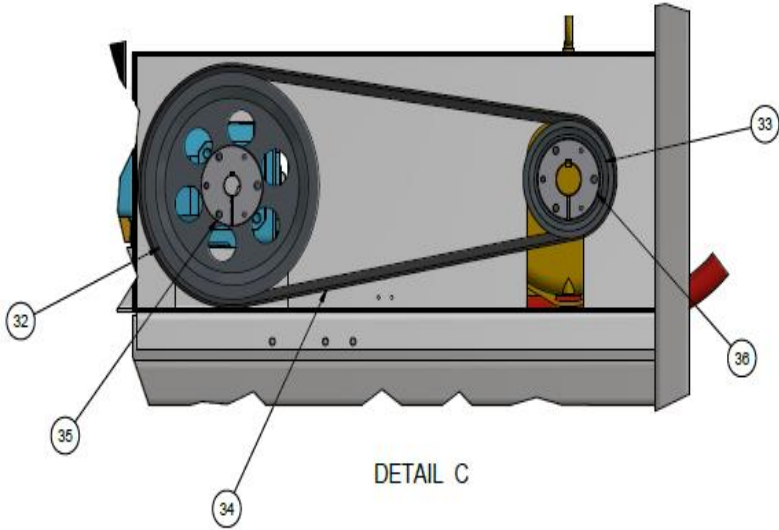


MANUAL PREP- SINGLE PUMP





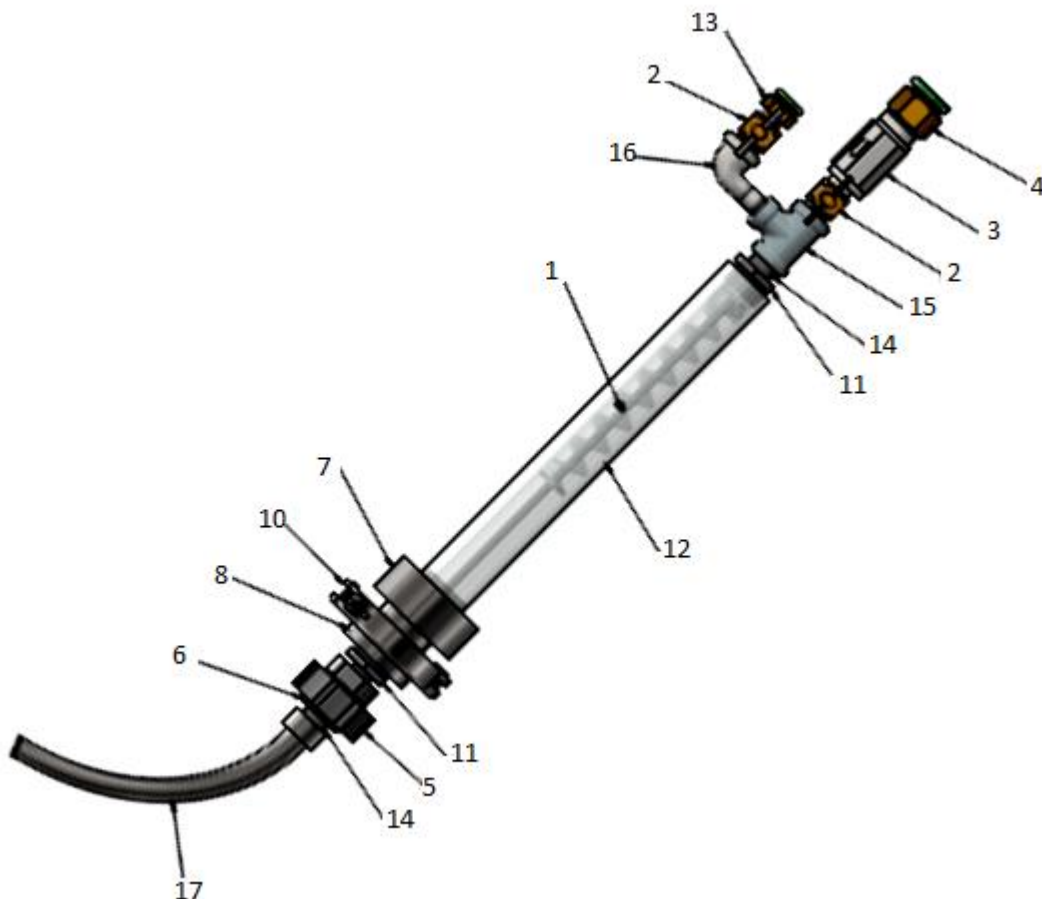
MANUAL PREP w/DUAL PUMP



MANUAL PREP w/SINGLE/DUAL PUMP-PARTS LIST

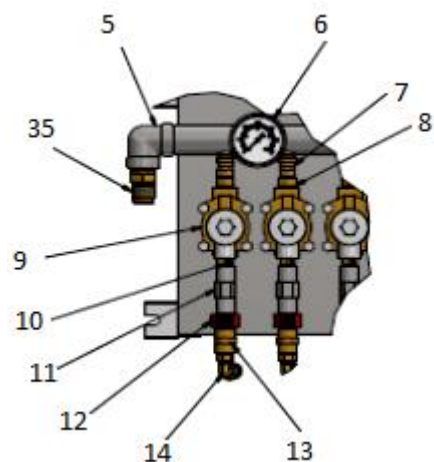
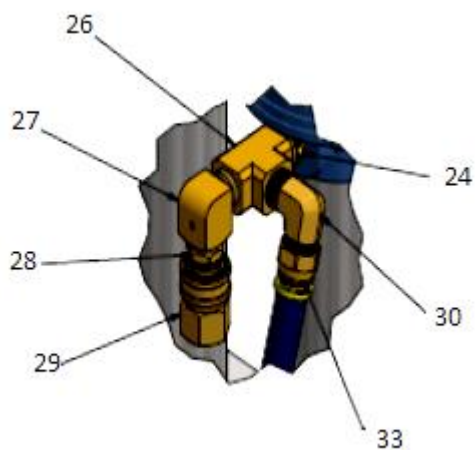
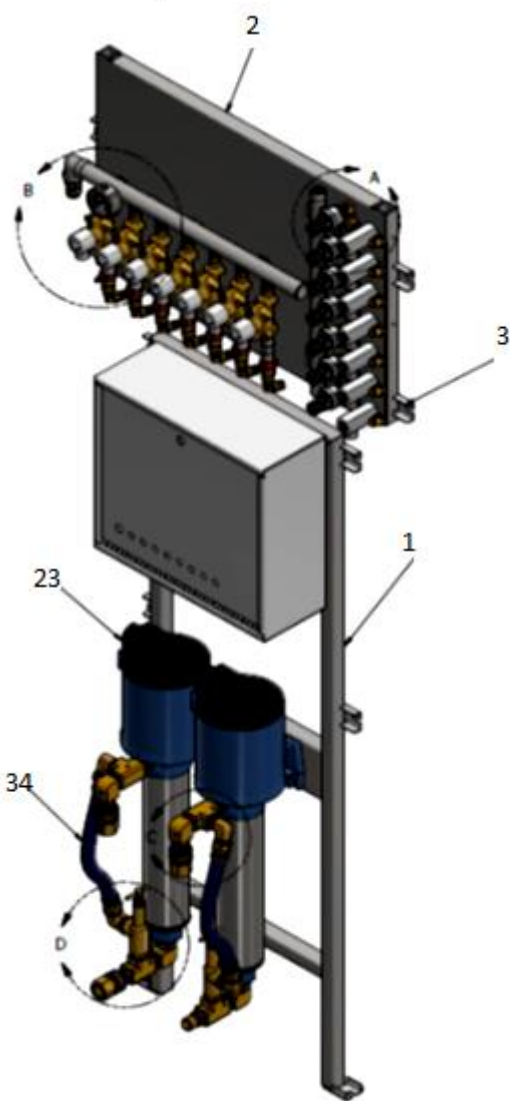
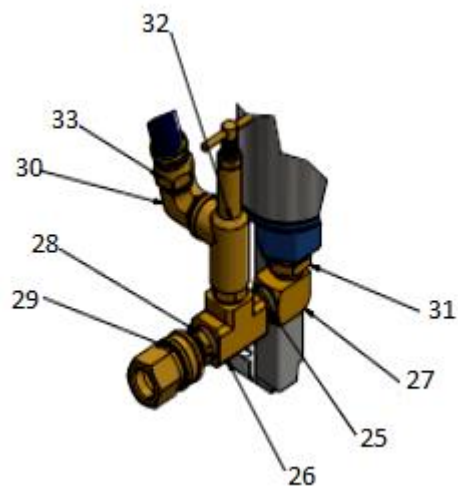
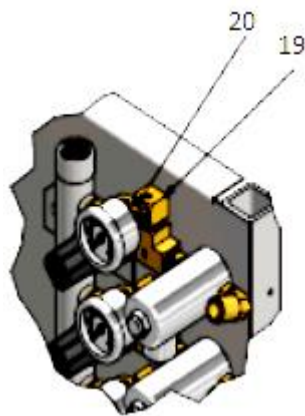
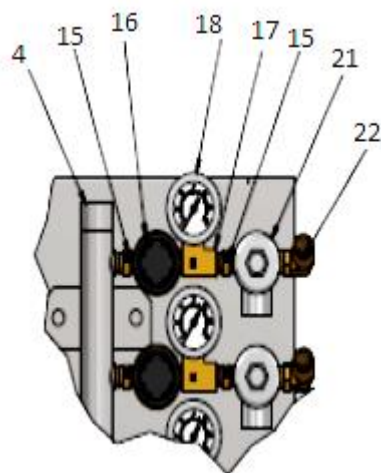
42	SS013-1	0	PUMP MOUNTING BRACKET	2
41	22-801-10-BW2	-	5/8" PUSH LOK HOSE	1
39	Hose1	-	3/8" X 21" LONG BYPASS HOSE	1
38	22-218P-6	-	3/8" Hex-Head Plug	1
37	32-118672	-	SHAFT COVER FOR PUMP	1
36	18338	-	HX1-1/8" BUSHING	1
35	18340	-	H 20MM BUSHING	1
34	18005	-	BELT B-45V BELT	1
33	18208	-	PULLEY FOR MOTOR BK40H	1
32	18236	-	PULLEY FOR PUMP BK80H	1
31	22404	-	1" PVC PIPE, 90 Degree Elbow Adapter	1
30	72050	-	1/2" NPT FLOAT SWITCH	1
29	58002	-	TOPAZ VALVE 3/4"	1
28	22-215PNL-4-45	-	1/4X 4 1/2 NIPPLE	1
27	22-213P-4	-	1/4" CAP	1
26	22-2202P-4-4	-	1/4" PIPE STREET ELBOW 90'	1
25	22-222P-6-4	-	3/8" X1/4" REDUCER	1
24	22-48F-10-8	-	MALE CONNECTOR 5/8"X1/2"	1
23	22-2200p-8-8	-	1/2" 90° UNION ELBOW	1
22	22-216P-8	-	1/2" HEX NIPPLE	1
21	22-2107-6-6	-	3/8 PIPE X JIC SWIVEL ELBOW	2
20	22-209P-6-4	-	3/8" M X1/4" F BUSHING SS	1
19	22-2225P-6	-	3/8" STREET TEE	1
18	22-216P-6	-	Pipe Hex Nipple 3/8"	1
17	58010	-	PRESSURE UNLOADER W/MICROSWITCH	1
16	22-2200P-6-6	-	3/8" STREET ELBOW	1
15	22-216P-8-6	-	1/2 X3/8 HEX NIPPLE	1
14	32-30961	-	POP- OFF VALVE 1000-3000	1
13	22-209P-16-12	-	1"X3/4" PIPE BUSHING	1
12	22-218P-12	-	3/4" Hex-Head Plug	2
11	22-30682-10-10B	-	5/8" BRASS 37/45 DEG FEM SW PUSH ON	2
10	22-48F-10-12	-	Male Connector5/8" X 3/4"	2
9	22-2202P-12-12	-	PIPE STREET ELBOW 90HD 3/4" X3/4"	2
8	22-V500P-12	-	BALL VALVE 3/4"	2
7	22-216P-12	-	3/4" CLOSE NIPPLE BRASS	2
6	22-216P-6-4	-	3/8 X1/4 HEX NIPPLE	1
5	22-2203P-4	-	1/4" Female Pipe Tee BLOCK STYLE	1
4	47020	-	0-2000 PSI GAUGE 1/4" LM	2
3	55262	-	5HP/ 3PH / 60 HZ MOTOR (EM3615T)	1
2	32-5CP2120	-	STEP AP214	1
1	prep unit frame	0	PREP UNIT FRAME ASSY	1
ITEM	PART NO.	REV	DESCRIPTION	QTY

CLEAR PVC FOAMER- QUICK RELEASE - PARTS LIST



17	H816593	0	S/S FOAMER HEAD	1
16	H621081	-	STREET ELL 1/4" S/S	1
15	H620990	-	TEE 1/4" S/S	1
14	H620968	-	NIPPLE S/S 1/4" CLOSE	2
13	H341594	-	CONNECTOR BRASS 3/8" PF X 1/4" MPT	1
12	H816596	0	3/4 SCHD 80 CLEAR PVC PIPE	1
11	H620970	-	BSHG SS 1/2 X 1/4	2
10	H370332	*	SANITARY CLAMP, 1" & 1-1/2"	1
9	H370331	*	SANITARY CLAMP GASKET, 1"	1
8	H370329	*	SANITARY THERMOMETER CAP, 1" X 1/2-NPT	1
7	H370328	*	SANITARY ADAPTER, 1" X 3/4-NPT	1
6	H368161	-	ADJUSTABLE BALL - 1/4-NPT	1
5	H368160	-	ADJUSTABLE BODY - 1/4-NPT	1
4	H341610	-	CONNECTOR 1/2-POLY X 1/4-NPT	1
3	H333625	-	CHECK VALVE 1/4 INLINE PVC	1
2	H114033	*	1/4" NEEDLE VALVE, M X F	2
1	H816597	0	PIPE CLEANER ASSEMBLY	1
ITEM	PART NO.	REV	DESCRIPTION	QTY

DIRECT INJECTION SYSTEM (DSI)

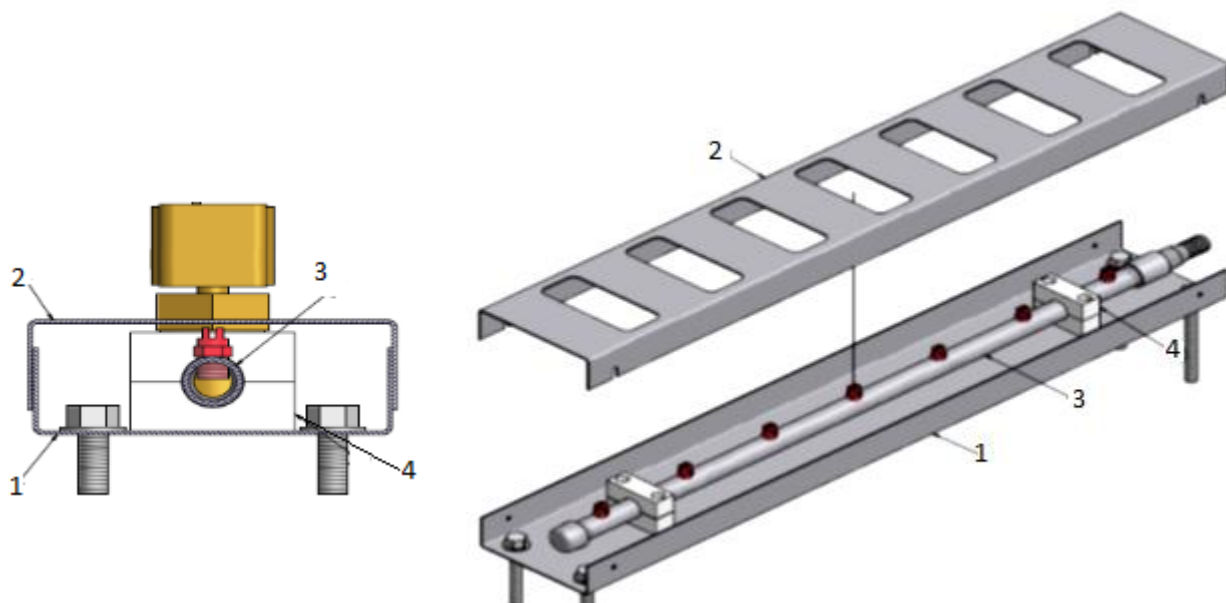
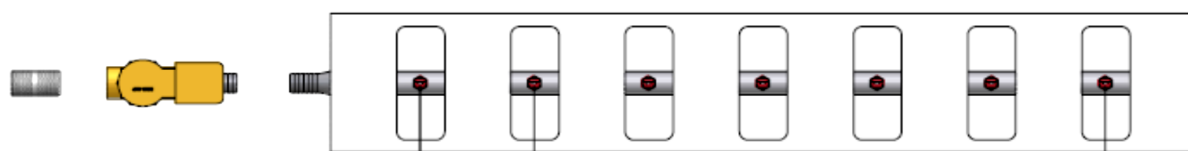
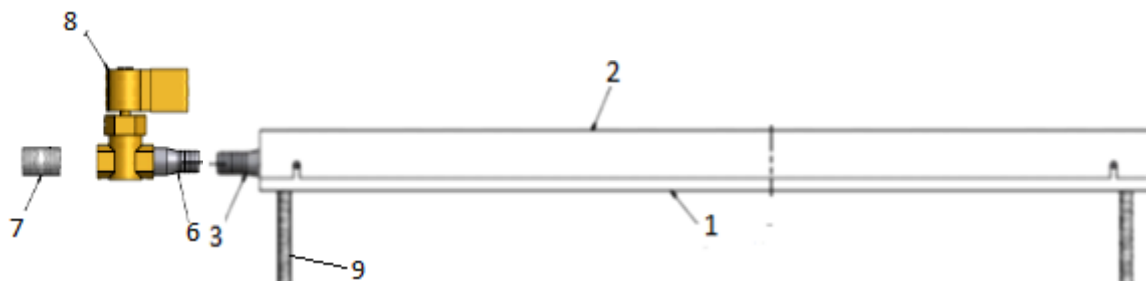




DIRECT INJECTION SYSTEM (DSI)-PARTS LIST

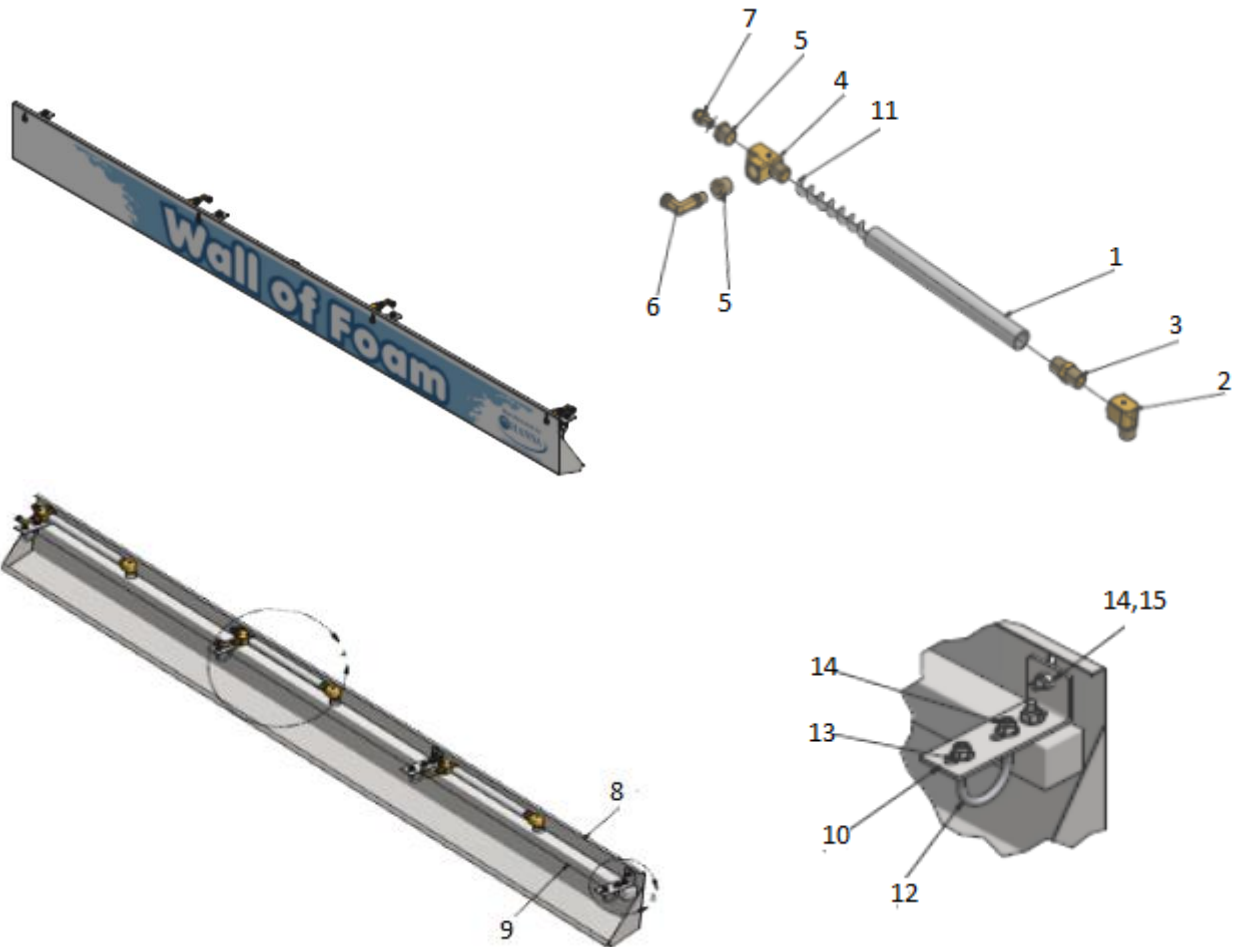
35	22-48F-12-12	-	MALE CONNECTOR 3/4"X 3/4"	1
34	22-801-12-BLU1	0	3/4" PUSH LOCK HOSE , BLUE	2
33	22-30682-12-12	-	3/4 X 3/4 FEMALE SWIVEL PUSH ON	4
32	58021-B	-	3/4" RELIEF VALVE, BRESS 300 PSI	2
31	22-209P-16-12	-	1"X3/4" PIPE BUSHING	2
30	22-149F-12-12	-	3/4" X 3/4" BRASS MALE EL TUB TO MPT	4
29	80235	-	BODY COUPLER FEMALE 3/4"	3
28	80234	-	BODY COUPLER MALE 3/4"	4
27	22-2202P-12-12	-	PIPE STREET ELBOW 90HD 3/4" X3/4"	4
26	22-2203P-12	-	3/4" TEE BRASS	4
25	22-215PN-12	0	PIPE CLOSE NIPPLE 3/4"	4
24	22-209P-12-6	-	3/4" MALE X 3/8" FEM BUSHING BRASS	2
23	57170-1FW	-	F&W PUMP 1HP / 1HP (14STAGE)	2
22	22-W169PL-4.4	0	1/4" P X 1/4" M PIPE 90 DEG SWIVEL	7
21	64071	-	24 VAC SOLENOID VALVE - 1/4"	7
20	22-209P-4-2	-	PIPE BUSHING 1/4"X1/8"	7
19	22-2202P-4.4	-	1/4" PIPE STREET ELBOW 90'	7
18	47027	-	1/8" 100 PSI GUAGE	7
17	22-225P-4	-	PIPE STREET TREE 1/4"	7
16	58055	-	1/4" REGULATOR AIR	7
15	22-216P-4	-	PIPE HEX NIPPLE HD 1/4	14
14	H341685	-	1/2TUBE X 3/8 MALE PIPE 90' SWIVEL	7
13	22-207P-6	0	PIPE HEX NIPPLE 3/8"	7
12	31065-57	-	INJECTOR-057	7
11	34022	-	3/8" CHECK VALVE,SS	7
10	22-216P-6	-	Pipe Hex Nipple 3/8"	7
9	64069	-	3/8" SOLENOID	7
8	22471	-	JIC CONNECTOR TUBE MPT X BRASS	7
7	22470	-	BRASS FEMALE JIC SWIVEL X HOSE BARB 3/8"	7
6	47010-1	-	0-300 PANEL MT GAUGE	1
5	MS-266(C)	0	HANNA DSI MANF. PIEP W/7 HOLES	1
4	MS-240(D)	0	HANNA DSI MANF. PIPE W/7 HOLES	1
3	MIS019-1	0	WALL MOUNTING BRACKET	4
2	ACO31-17	0	RO FRAME PUMP MOUNTING RAIL 13 GA	1
1	426817F	0	HANNA DSI FRAME	1
ITEM	PART NO.	REV	DESCRIPTION	QTY

UNDERCARRIAGE APPLICATOR



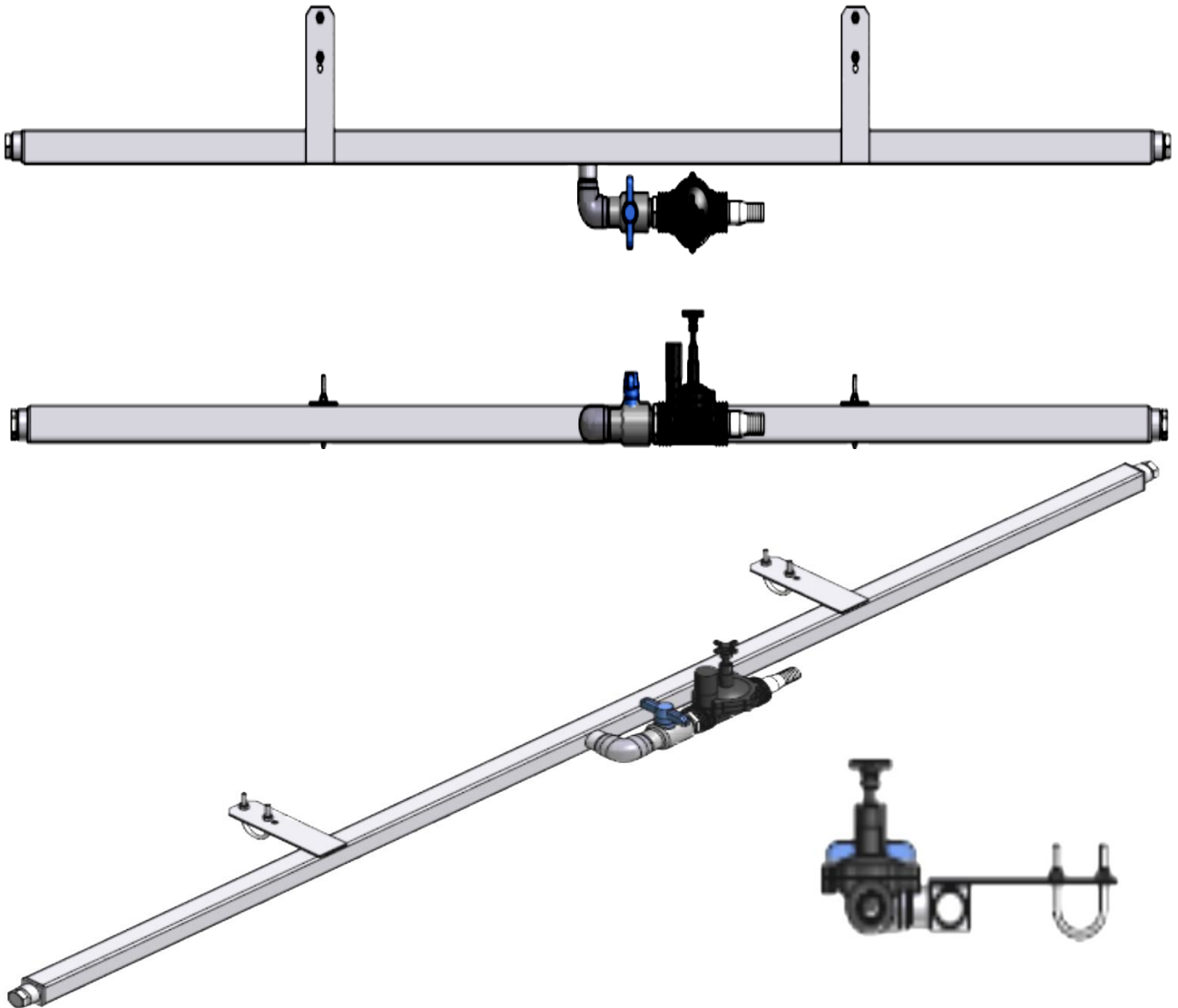
9	H368169	-	ANCHOR BOLT 1/2 X 5 1/2" LONG	4
8	H324764	-	DEMA A416P VALVE - 24VAC	1
7	H366359	-	NIPPLE, SS 3/4 X 2	1
6	H362659	-	HOSE BARB SS 3/4 MPT X 3/4 HOSE	1
4	H368188	1	SINGLE CLAMP - 1 3/64 HOLE	2
3	H814454	0	MANIFOLD ASSEMBLY	1
2	H814453	1	UNDERCARRIAGE COVER	1
1	H758698	3	UNDERCARRIAGE BASE	1
ITE	PART NO	REV	DESCRIPTION	QTY

WALL OF FOAM APPLICATOR



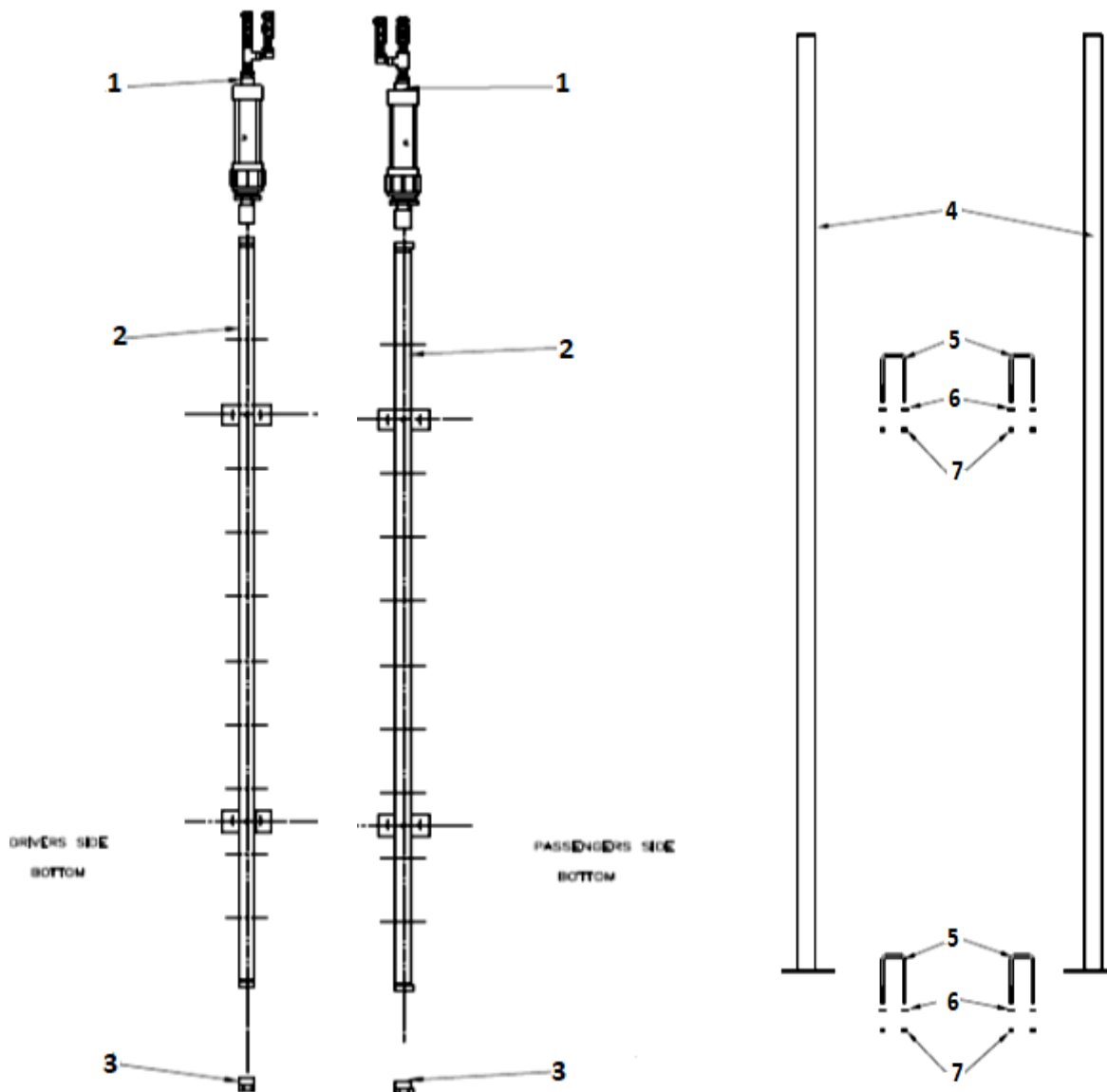
15	H361507	SCR BTN HD SOC SS 1/4"-20 UNC X 3/4"	4
14	H622708	NUT ESNA HEX SS 1/4"-20 UNC	16
13	H365160	1/4" Flat Washer	16
12	H368397	U-BOLT SS 1/4"-20 UNC X 1-1/2" X 2 1/4"	4
11	H816985	TWISTED ROLLED STAINLESS CLOTH	3
10	H816032	WALL OF FOAM BRACKET	4
9	H816033	WALL OF FOAM MANIFOLD	1
8	H816031	STAINLESS STEEL TROUGH	1
7	H341586	CONN BR 1/4" PF X 1/4" NPT	3
6	H341651	CONNECTOR, BRASS ELBOW 3/8-PF X 1/4-NPT	3
5	H621040	BSHG BRASS 1/2 X 1/4	6
4	22-2225P-8	PIPE STREET TEE 1/2"	3
3	H621111	1/2-NPT HEX NIPPLE	3
2	22-2202P-8-8	PIPE STREET ELBOW 90 HD 1/2"x1/2"	3
1	H814257	1/2 SCHD 80 PVC PIPE X 11" LONG	3
ITEM	PART NO.	DESCRIPTION	QTY

RINSE CURTAIN ASSEMBLIES



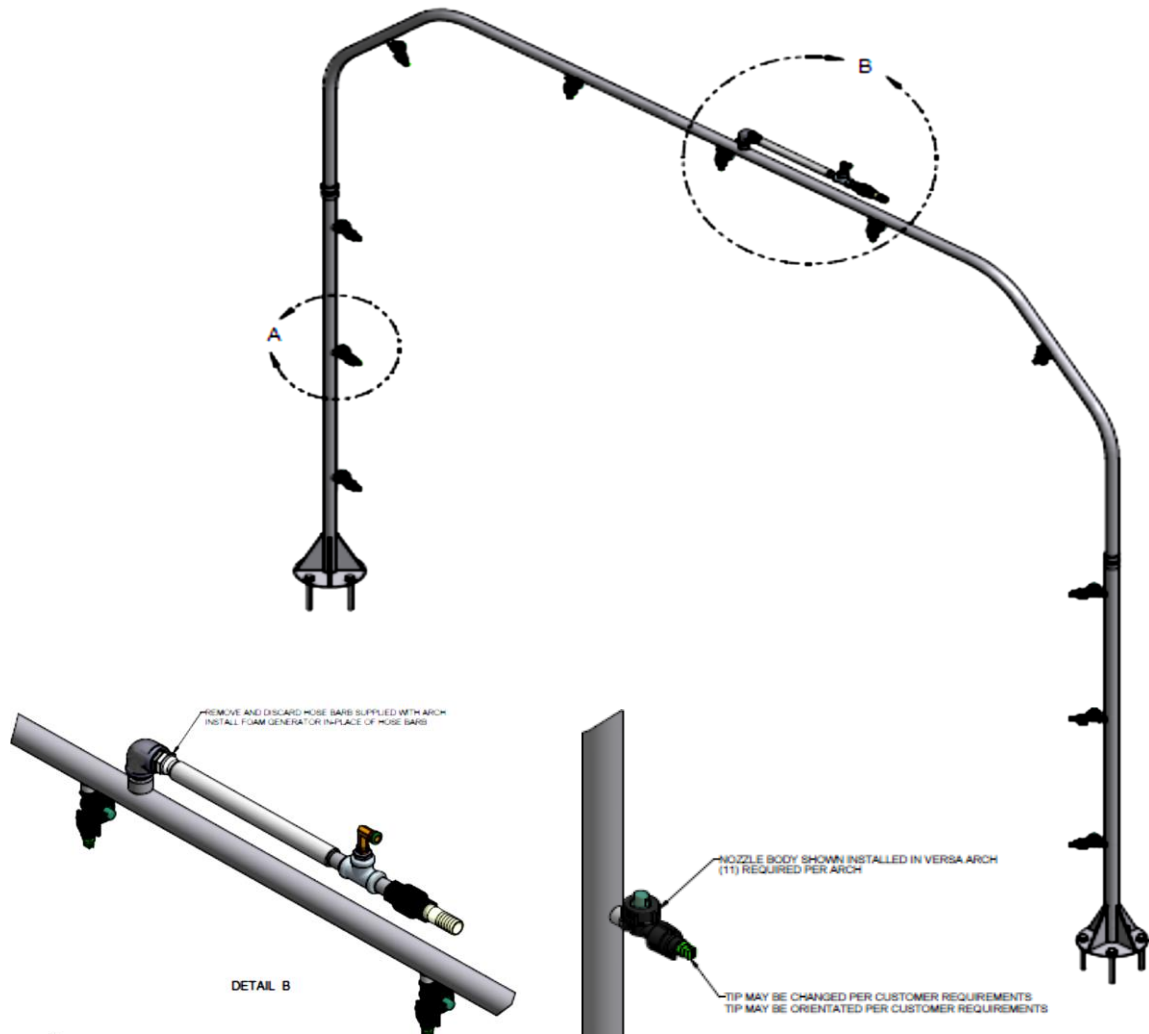
10	H332650	-	3/4 X 1 NYLON HOSE BARB	1
9	H197434	-	1" PLASTIC SOLENOID VALVE	1
8	H361002	-	1 x 3/4 BUSHING, SCHD80 PVC	1
7	H622708	-	NUT ESNA HEX SS 1/4"-20 UNC	4
6	H365705	-	3/4-NPT SCHD 80 PVC BALL VALVE	1
5	H361214	-	EL 90DEG PVC SCH80 3/4" FPT X 3/4" FPT	1
4	H621162	-	3/4-NPT SCHD 80 PVC CLOSE NIPPLE	3
3	H361151	-	PLUG PVC SCH 80 3/4" MPT	2
2	H068668	-	U-BOLT SS 1/4"-20 UNC X 1-1/2" X 2-3/4"	2
1	H366918	4	RINSE CURTAIN MANIFOLD	1
ITE	PART NO	REV	DESCRIPTION	QTY

SINGLE/DUAL/TRIPLE FOAM APPLICATOR



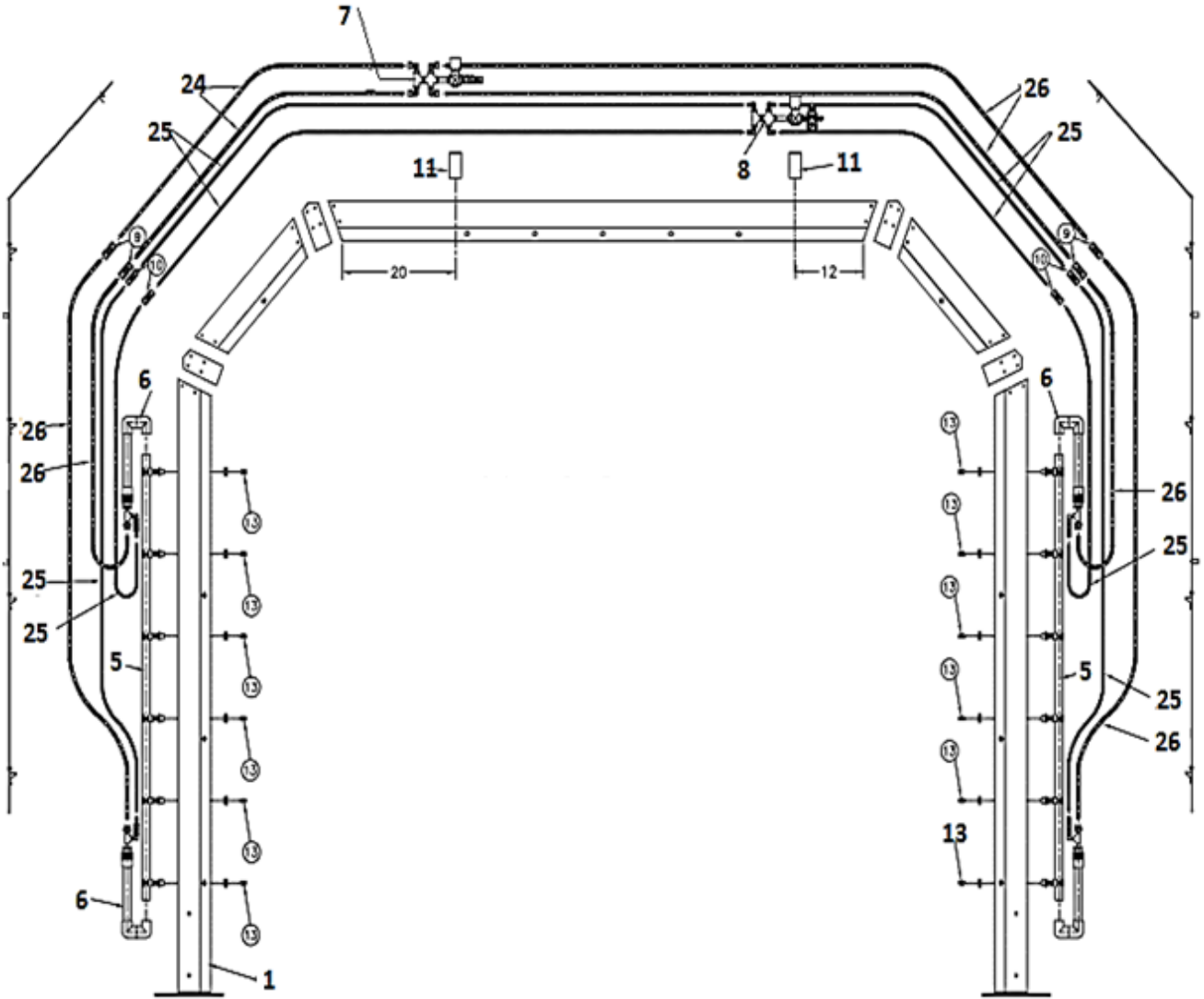
11	H809624	CHEMICAL VALVE SINGLE FOAMER	1
10	H809621	AIR VALVE SINGLE FOAMER	1
9	H341552	TEE, PF UNILN 3/8" (NOT SHOWN)	2
8	H024612	TUBING 3/8 NYLON (NOT SHOWN)	500
7	H622708	NUT, ESNA 1/4 NC SS	8
6	H623042	WSHR SS 1/4" SAE	8
5	H365573	U-BOLT SS 1/4 X 2.06 X 4.38 DP	4
4	H804829	POST WELDMENT 2 X 2 SS 91" LG	2
3	H361151	PLUG PVC 3/4"	2
2	H806600	SINGLE FOAMER WELDMENT DS	2
1	H812021	MNFLD & FOAM GENERATOR ASSEMBLY	2
REV. NO.	PART NO.	DESCRIPTION	REQ'D

VERSA ARCH



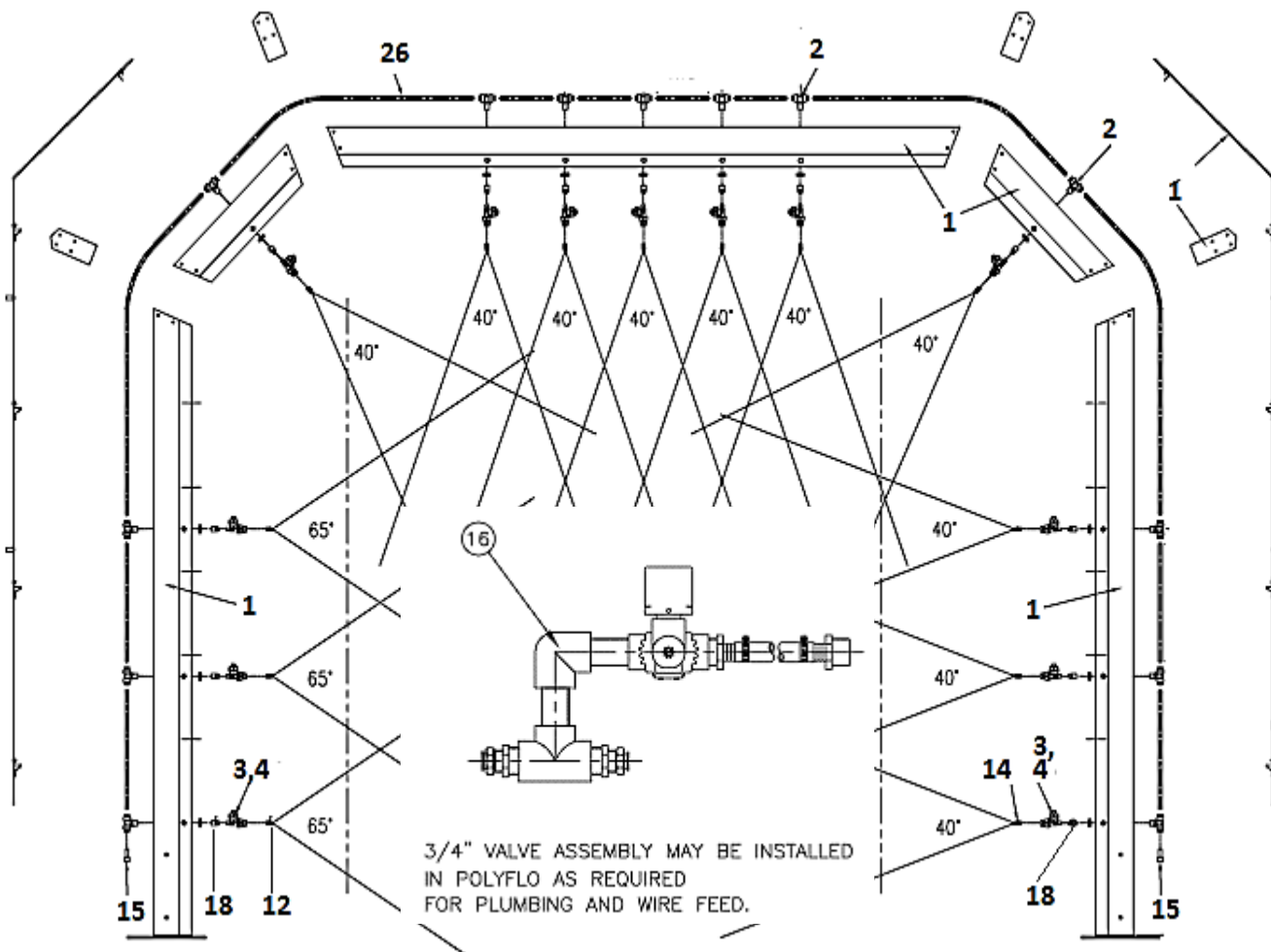
H363095	1/4" Nozzle Body w/ Diaphragm	H365620	Nylon "V" Jet 1/4" 40-06
H363377	Viton Gasket	H365621	Nylon "V" Jet 1/4" 40-10
H361214	3/4" 90° Treaded PVC Elbow	H368030	Brass "V" Jet 1/4" 40-40
H814262	Soap Foam Generator	H621162	3/4" Threaded PVC Nipple Close
H813935	Spacer	H330985	3/4" x 3/4" Nylon Hose Barb
H620995	1" Stainless Steel Nipple Close	H348383	1/2" JIC x 3/4" MPT 90° Hyd Elbow
H361151	3/4" Treaded PVC Plug		
H365619	Nylon "V" Jet 1/4" 40-15		

IMAGE ARCH- SOAP FOAMER



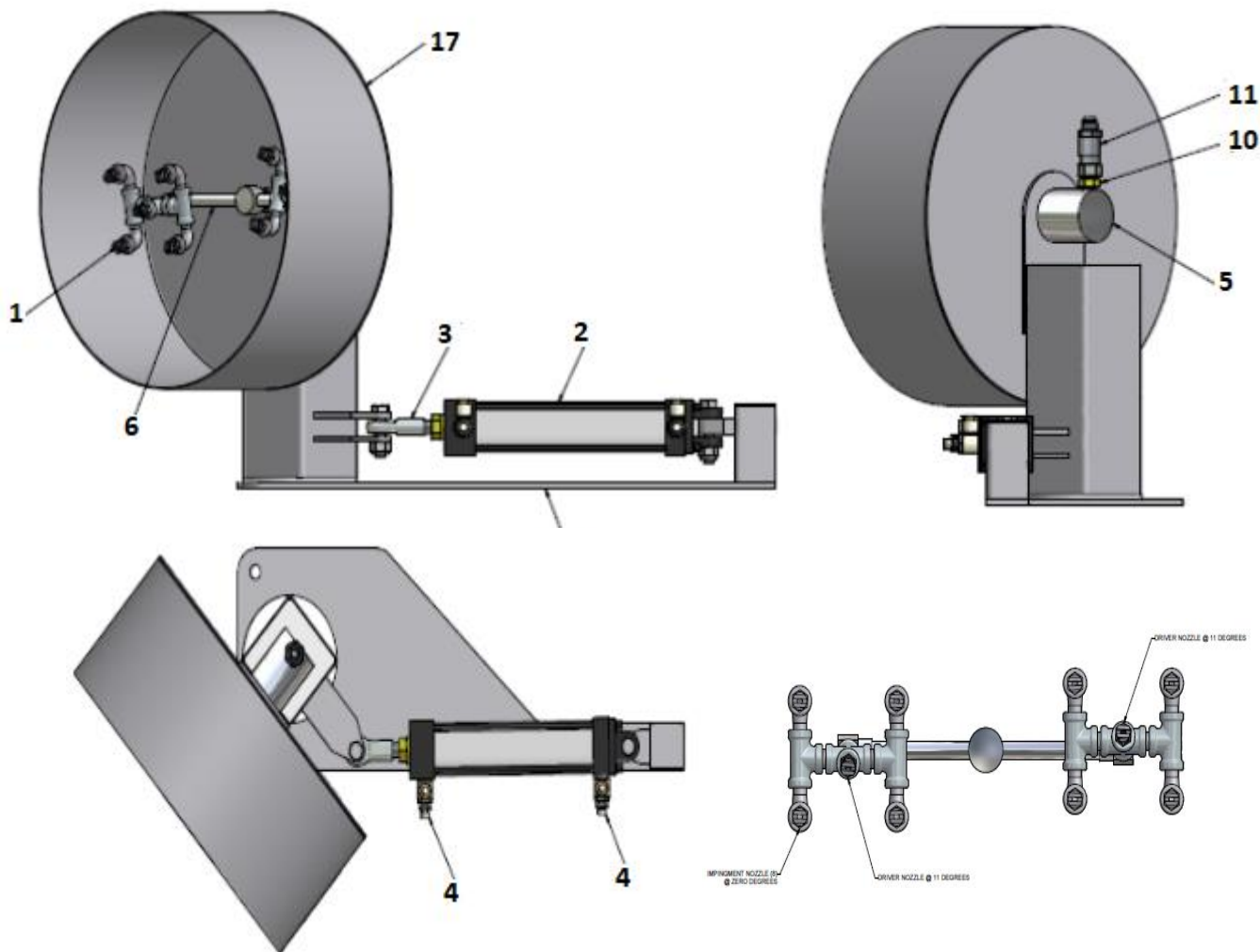
12	H363262	JET V NYLON 1/4" 65-15	3
11	H800337	ARCH VALVE BRACKET	2
10	313437	UNION PVC 3/8" x 3/8"	4
9	H317305	UNION PVC 1/2" x 1/2"	4
8	H806292	AIR VALVE ASSEMBLY	1
7	H806291	CHEMICAL VALVE ASSEMBLY	1
6	H806812	FOAM GENERATOR ASSEMBLY	4
5	H806815	MANIFOLD FOAMER ASSEMBLY	2
4	H363377	CAP W/VITON GASKET	13
3	H363095	NZL BODY W/VITON DIAPHRAGM 1/4"	13
2	H365422	TEE BULKHEAD PARKER PUSH LOK	13
1	H808174	HCW SS ARCH ASSEMBLY (96" CLEARANCE)	1
ITEM NO.	PART NO.	DESCRIPTION	REQ'D

IMAGE ARCH- PRE-RINSE



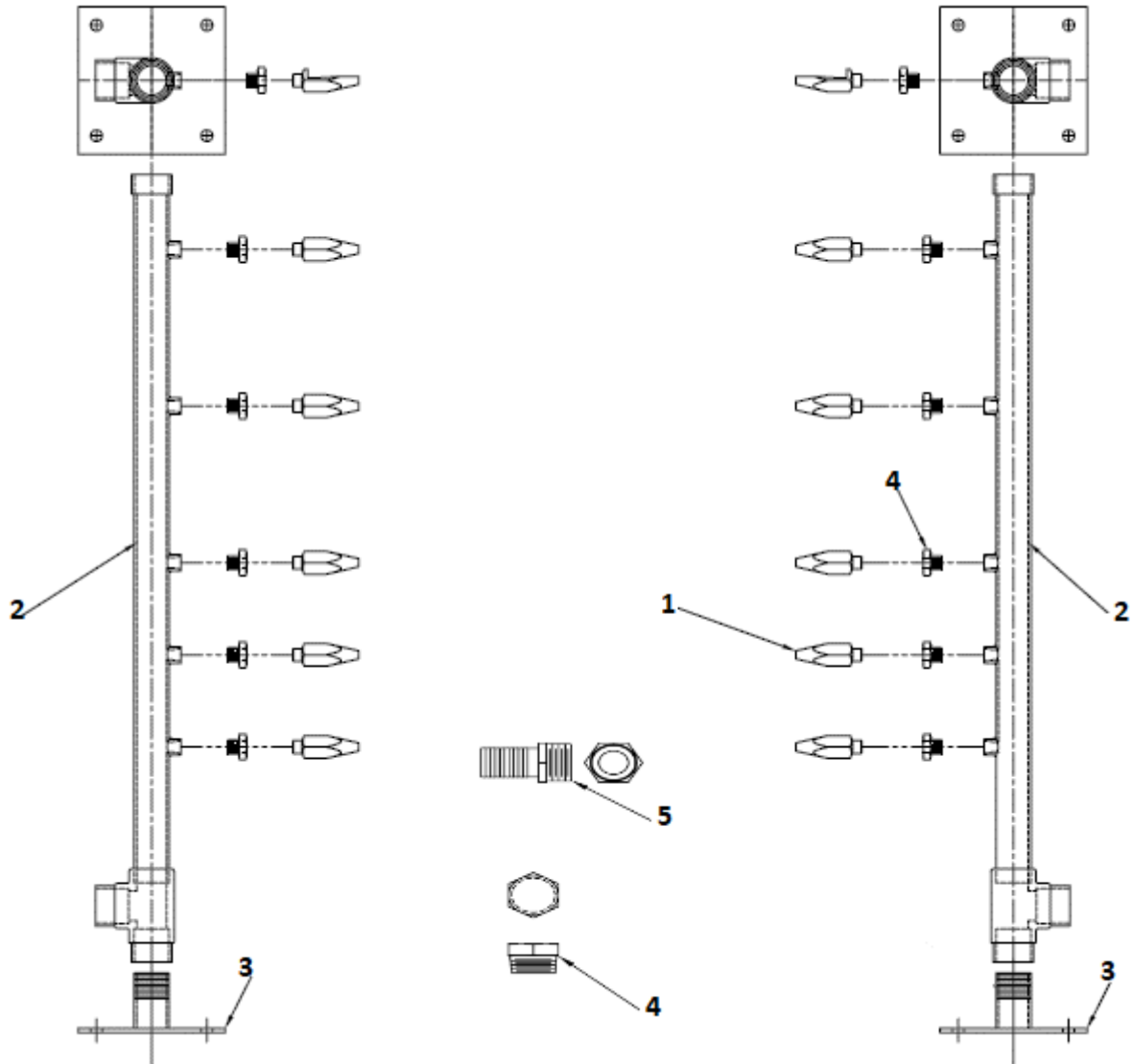
26	H024604	TU NYLON 1/2" X 71 FT	1
25	H024612	TU NYLON 3/8" X 49 FT	1
24	H363293	WSHR LOCK 1/4 (NOT SHOWN)	4
23	H362014	CPSCR HX HD SS 1/4 NC X 1/2 (NOT SHOWN)	4
22	H361574	SCR MACH PH SS 8-32 X 3/8 (NOT SHOWN)	4
21			
20	H024612	TU NYLON 3/8" PF (NOT SHOWN)	100FT
19	H024604	TU NYLON 1/2" PF (NOT SHOWN)	100FT
18	H014712	EL BR 1/4" STR 45'	13
17	H360085	PLUGS PLASTIC (NOT SHOWN)	26
16	H806633	3/4" VALVE ASSEMBLY (FOR ARCHES)	1
15	H365469	PLUG	2
14	H365619	JET VEE NYLON 1/4" 40-15	22
13			
NO.	P/N	DESCRIPTION	REQ'D

HYDRABLAST WHEEL WASHER



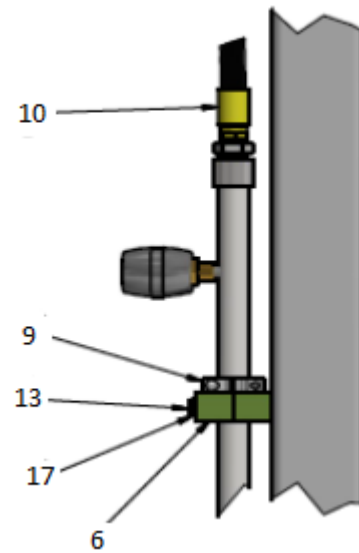
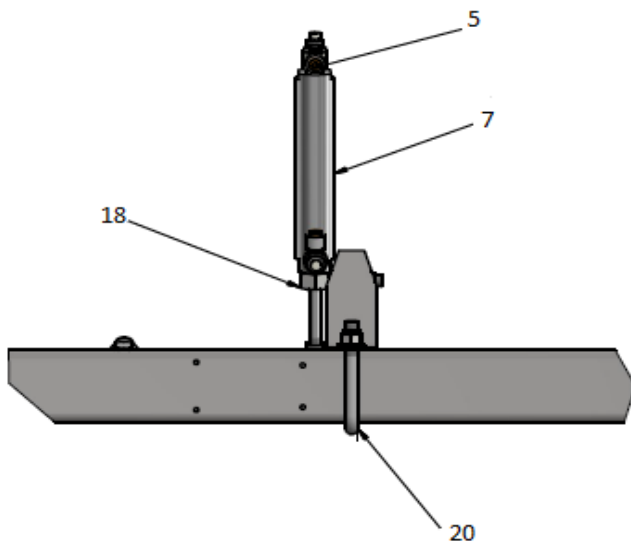
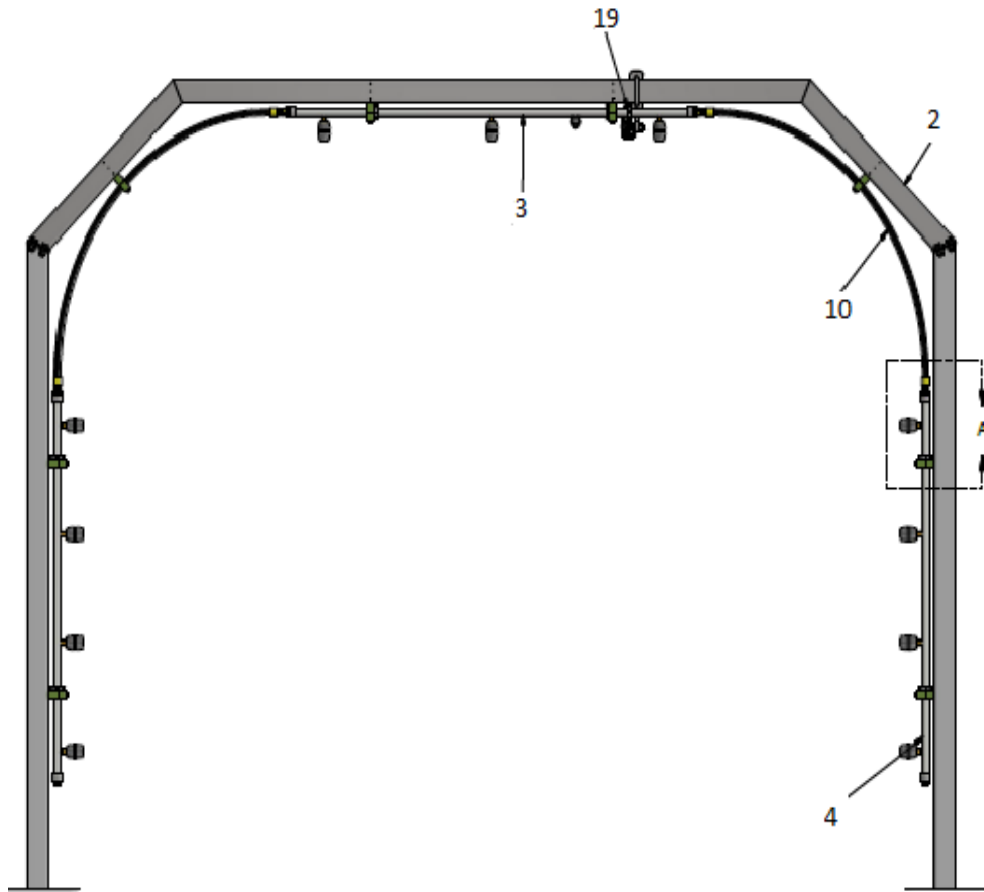
17	H815079	0	GUARD - WATER SWIVEL	1
16	H815069	0	PIVOT POST - RH	1
15	H813997	2	BASE WELDMENT - RH	1
14	H622963	-	SCR HEX CAP SS 1/2"-13 UNC X 2"	1
13	H622932	-	SCR HEX CAP SS 1/2"-13 UNC X 2-1/2"	1
12	H622709	-	NUT ESNA HEX SS 1/2"-13 UNC	2
11	H366968	-	FTG HYD INLINE SWIVEL 1/2" FJIC X 1/2" MJIC	1
10	H361344	-	FTG HYD STR PLATED 1/2" JIC X 3/8 NPT	1
9	H814081	1	PIVOT SPACER	1
8	H814079	1	BEARING BLOCK	1
7	H814078	1	BEARING BLOCK	1
6	H368383	-	DUAL SPRAY ARM, 1/4-NPT	1
5	H368382	-	LIVE SWIVEL, 3/8-NPT, 5000 PSI	1
4	H368068	-	FITTING, FLOW CONTROL , 3/8 POLY X NPT	2
3	H367095	-	ROD END - 1/2"	1
2	H366898	-	CYL PNEUMATIC 2" X 8"	1
1	H815071	0	SPRAY HEAD 2.0	2
ITE	PART NO	REV	DESCRIPTION	QTY

HANNA PRESSURE VOLUME SIDE APPLICATOR



6	H327700	BSHG BR RED 1/2 X 3/8	10
5	H621254	HOSE BARB SS 1-1/2 X 1-1/2 HS X MPT	4
4	H624733	PLUG HEX HD BR 1-1/2	2
3	H808659	BASE WELDMENT	2
2	H808661	MANIFOLD WELDMENT	2
1	H318907	JET FLOOD BR 3/8" P-1550	10
ITEM NO.	PART NO.	DESCRIPTION	REQ'D

HANNA PIVOT ARCH- HIGH PRESSURE





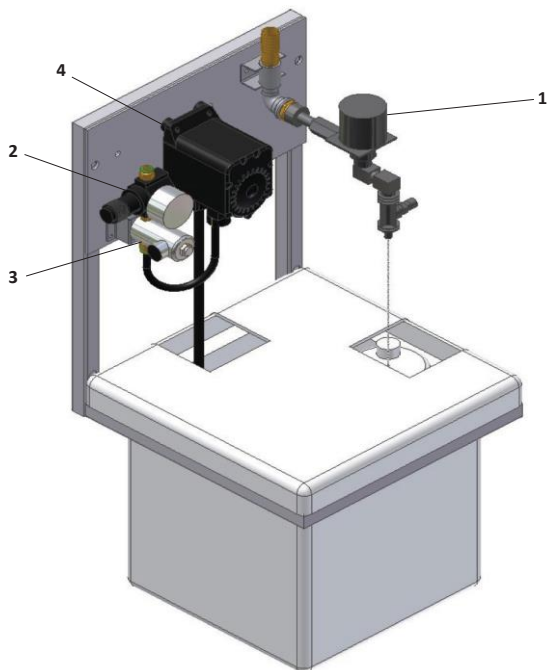
HANNA PIVOT ARCH HP- PARTS LIST

20	H817238	0	CYLINDER MOUNT	1
19	H816738	0	CRANK ARM	1
18	H816737	0	CYLINDER PIVOT	3
17	H623042	-	WSHR FLAT SS 1/4"	16
16	H623033	-	WSHR FLAT SS 1/2"	2
15	H622709	-	NUT ESNA HEX SS 1/2"-13 UNC	1
14	H370126	-	WSHR FLAT SS 7/16"	1
13	H370125	-	SCR HEX CAP SS 1/4"-20 UNC X 3" FULL THREAD	16
12	H362174	-	SCR HEX CAP SS 7/16-13 UNC X 1-5/8"	1
11	H362001	-	NUT ESNA HEX SS 7/16-20 UNF	1
10	H811875	-	1/2" HOSE ASSEMBLY, 54"	2
9	H370123	-	3/4" PIPE SET COLLAR, SS FULL SPLIT	6
8	H370120	-	7/16 FEMALE ROD END	1
7	H370115	-	CYLINDER, AIR 1 1/4 BORE x 4" STROKE	1
6	H370113	0	PIVOT BLOCK, 3/4" PIPE	8
5	H367189	-	FITTING, FLOW CONTROL , 1/4 POLY X 3/8 NPT	2
4	H816793	0	TOP MANIFOLD ASSEMBLY	1
3	H816792	0	SIDE MANIFOLD ASSEMBLY	2
2	H816725	1	FRAME ASSEMBLY	1
1	H367161	0	VALVE PANEL ASSEMBLY - NOT SHOWN	1
ITEM	PART NO.	REV	DESCRIPTION	QTY

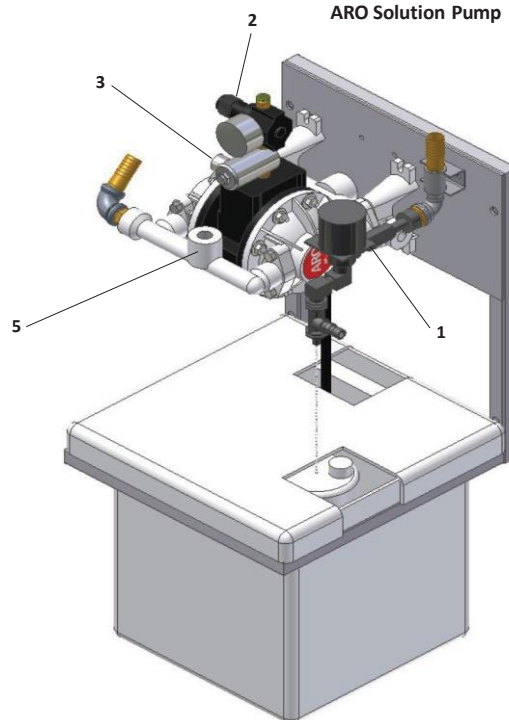
SOLUTION PUMPS

HIGH PRESSURE AND VOLUME APPLICATIONS

FLOJET Solution Pump

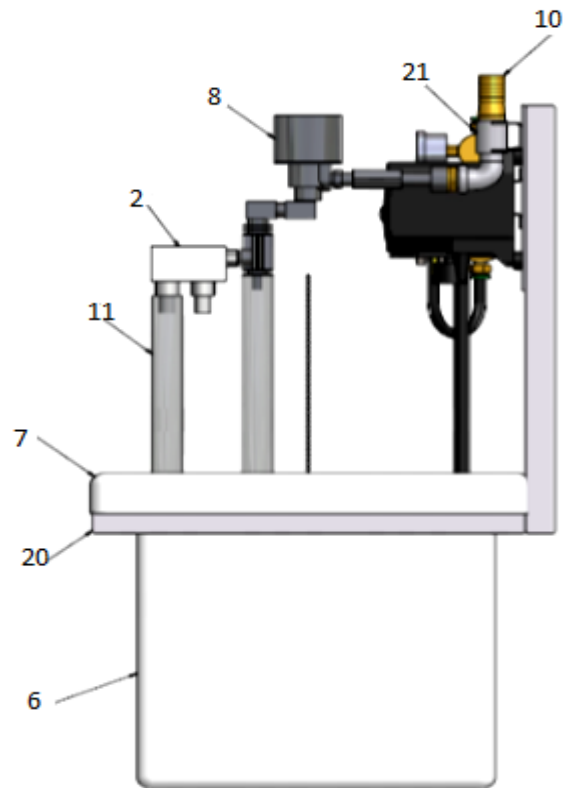
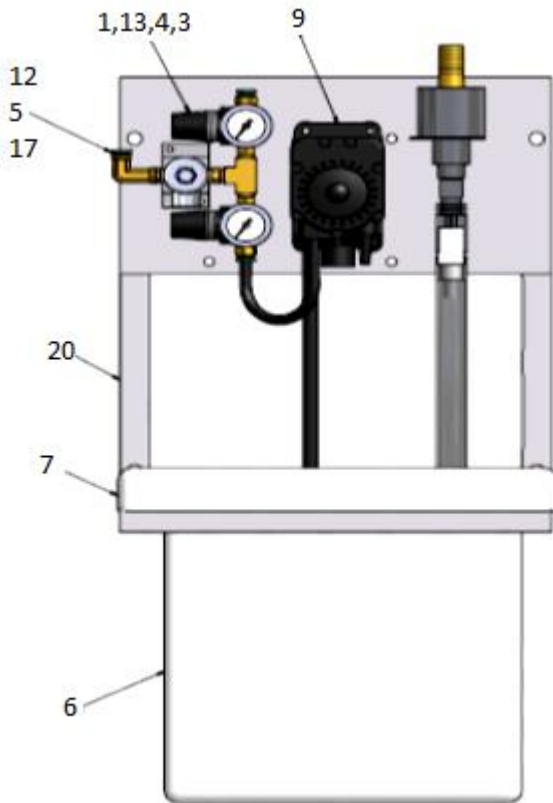


ARO Solution Pump



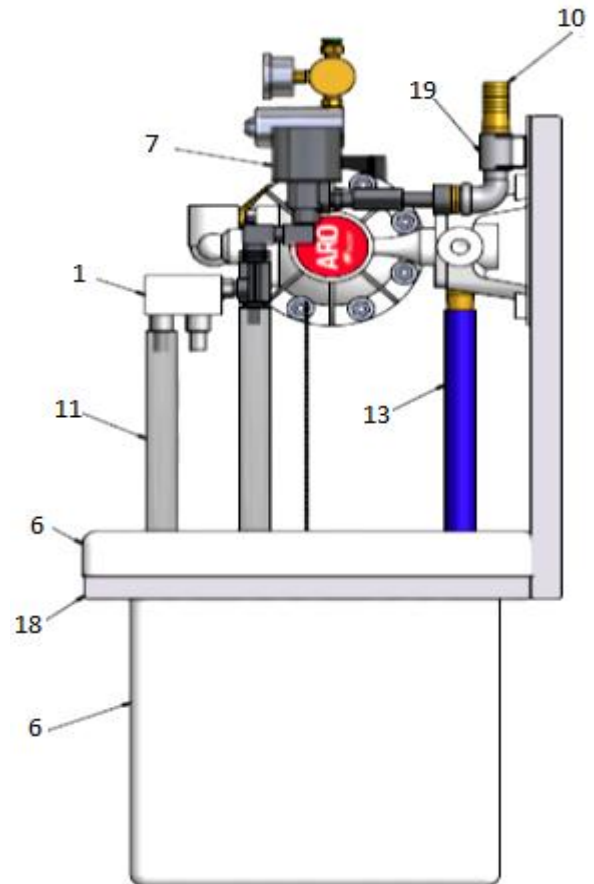
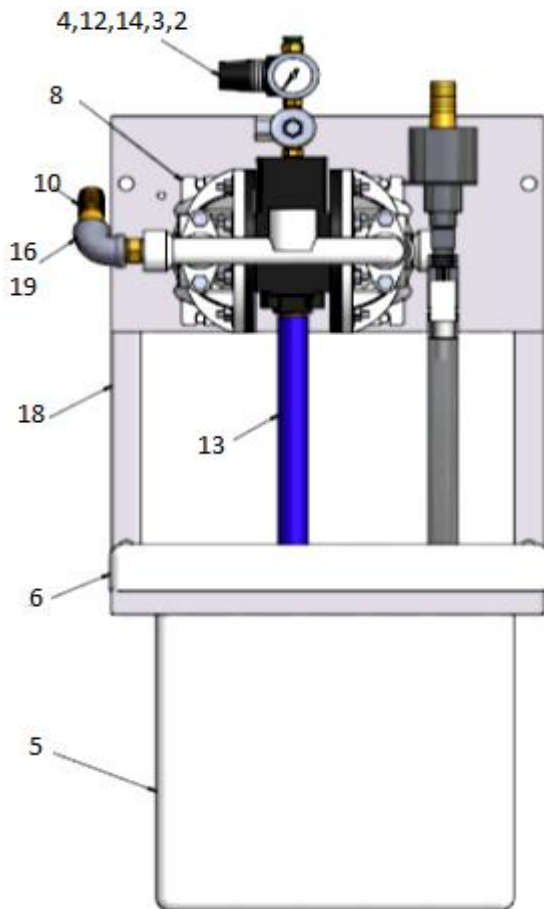
ITEM	PART NO.	DESCRIPTION
1	353813	Hydrominder
2	029413	Regulator
3	H64071	24 VAC Solenoid Valve
4	363254	FLOJET Pump
5	359216	1/2" Diaphragm Pump

SOLUTION PUMPING STATION w/FLOJET



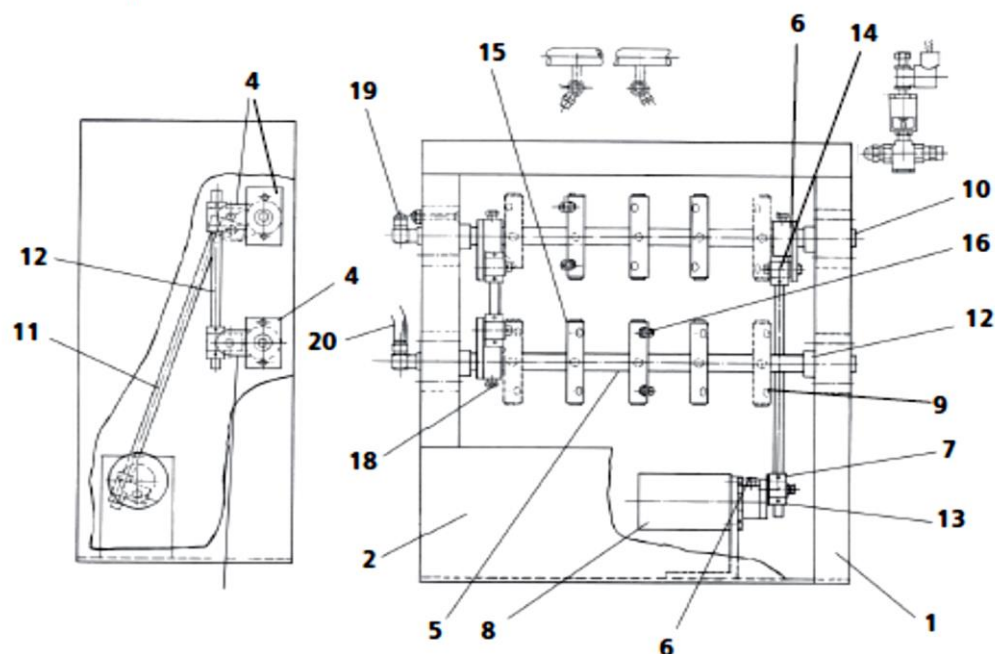
21	H814715	0	MOUNTING BRACKET	1
20	H813963	2	FRAME WELDMENT	1
19	H621293	-	FITTING, 1/2-NPT TO 3/4 GARDEN HOSE, BRASS	1
18	H620971	-	EL 90 STR SS T304 1/2" MPT X 1/2" FPT SCH 40	1
17	H341651	-	CONNECTOR, BRASS ELBOW 3/8-PF X 1/4-NPT	1
16	H341594	-	CONNECTOR BRASS 3/8" PF X 1/4" MPT	2
15	H024612	-	1/2" POLYFLO TUBING (LENGTH AS REQUIRED)	1
14	H024604	-	1/2" PLOYFLO TUBING (LENGTH AS REQUIRED)	1
13	H012500	-	1/4 HEX NIPPLE	3
12	A008-5	*	SOLENOID BRACKET	1
11	???????	-	5/8" CLEAR VINYL TUBING (LENGTH AS REQ'D)	2
10	H624242	-	3/4 X 1/2-NPT HOSE BARB	1
9	H363254	-	G57 FLOJET PUMP	1
8	H353813	-	FLOAT VALVE	1
7	H342437	-	LID - 7 GALLON TANK	1
6	H342436	-	PLASTIC TANK - 7 GALLON	1
5	64071	-	24 VAC SOLENOID VALVE - 1/4"	1
4	47027	-	1/8" 100 PSI GUAGE	2
3	H029413	-	REGULATOR - 1/4"	2
2	29111	-	DUAL MIXING BLOCK	1
1	H014357	-	1/4-NPT BRASS TEE	1
ITE	PART NO	REV	DESCRIPTION	QTY

SOLUTION PUMPING STATION w/ ARO



19	H814715	0	MOUNTING BRACKET	1
18	H813963	2	FRAME WELDMENT	1
17	H621293	-	FITTING, 1/2-NPT TO 3/4 GARDEN HOSE, BRASS	1
16	H620980	-	EL SS 1/2" SCHED 40	1
15	H620971	-	EL 90 STR SS T304 1/2" MPT X 1/2" FPT SCH 40	1
14	H341594	-	CONNECTOR BRASS 3/8" PF X 1/4" MPT	1
13	H312256	-	3/4" HOSE - LENGTH AS REQUIRED	1
12	H012500	-	1/4 HEX NIPPLE	2
11	???????	-	5/8" CLEAR VINYL TUBING (LENGTH AS REQ'D)	2
10	H624242	-	3/4 X 1/2-NPT HOSE BARB	3
9	H621111	-	1/2-NPT HEX NIPPLE	1
8	H359216	-	1/2" DIAPHRAM PUMP	1
7	H353813	-	FLOAT VALVE	1
6	H342437	-	LID - 7 GALLON TANK	1
5	H342436	-	PLASTIC TANK - 7 GALLON	1
4	64071	-	24 VAC SOLENOID VALVE - 1/4"	1
3	47027	-	1/8" 100 PSI GUAGE	1
2	H029413	-	REGULATOR - 1/4"	1
1	29111	-	DUAL MIXING BLOCK	1
ITE	PART NO	REV	DESCRIPTION	QTY

Auto Prep Manufactured Prior to 8/96



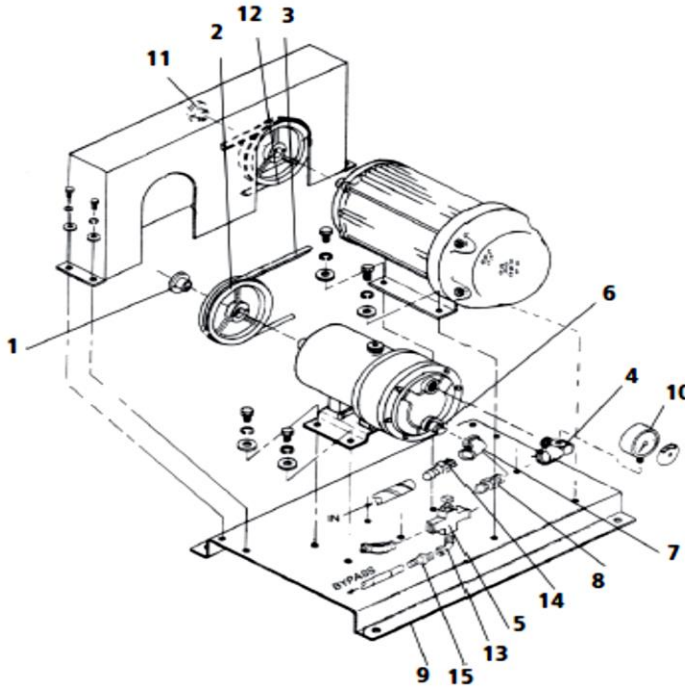
ITEM	PART NO.	DESCRIPTION
1-2	744169*	Housing Weldment - Stainless Steel
2-3	744185*	Front Cover - Stainless Steel
4	743484*	Bearing - Manifold - UHMW
5	743500*	Manifold - 1" O.D.
6	807482*	Eccentric Collar - 1" Bore - (Manifolds)
7	807483*	Eccentric Collar - 1" Bore - (Hydraulic Motor)
8	317156*	Hydraulic Motor - Char-Lynn #101-1002
9	743542*	Jet Mounting Block
10	743880*	Rod End Bearing - UHMW
11	745380*	Connecting Rod - Drive Motor - 1/2" O.D.
12	745398*	Connecting Rod - Manifold Drive - 1/2" O.D.
13	350942*	Shaft Collar - 1/1/16" Bore
14	019729*	Shaft Collar - 1/2" Bore
15	058636*	Pipe Plug-Socket Head - 3/8 NPT
16	351270*	Wash Jet - 1/4" MEG - S.S. .1504
17	015453* †	Washer - 1/2" Flat x 1-3/8" O.D. (Not Shown)
18	020420 †	Cotter Pin - 1/8" Dia. x 1" Lg.
19	046888* †	Cap Screw - Hex Head - 3/8-16 NC x 3/4" Lg.
20	018648 †	Fitting - 1/2 NPT x 1/2 JIC
* CALL FOR AVAILABILITY		
† Not pictured		

AUTO PREP PRESSURE PUMP

HIGH PRESSURE APPLICATORS

Auto Prep Pressure Pump Assembly is designed to fit HSI Auto Prep components regardless of date of production. (See previous two pages).

Pressure Pump Assembly (20 gpm)



ITEM	PART NO.	DESCRIPTION
1	331876*	Bushing T.L.H. - 1"
2	339523*	Pulley - "Driven"
3	333724*	Belt
4	014878	FTG 90° Street ELL with Gauge Port
5	345611	Pressure Regulator Valve - Wanner #C-23
6	116368*	Nipple 1-1/2" x 2-1/2" Lg. Galvanized
7	015214*	Elbow 1-1/2" Galvanized
8	012534*	Nipple - 1" Hex
9	035550*	45° EL 1" NPT x #16 JIC
10	070292*	Gauge 2-1/2" Dia. 3000 psi 1/4" NPT BTM. Outlet
11	331868*	Bushing T.L.H - 1-3/8"
12	333401*	Pulley - "Drive"
13	015040*	Street EL 90° 1" NPT Galvanized
14	324913*	Hose Barb 1-1/2" NPT Galvanized
15	323691*	Hose Barb 1" NPT x 1" Hose
16	190785 †	Clamp Screw 1-1/2" Hose
17	039487 †	Clamp Screw 1" Hose
* CALL FOR AVAILABILITY		
† Not pictured		



COLEMAN HANNA CARWASH SYSTEMS- 5842 W. 34th STREET- HOUSTON-TEXAS- 77092 TOLL FREE- (800) 999- 9878
INFO@COLEMANHANNA.COM WWW.COLEMANHANNA.COM