



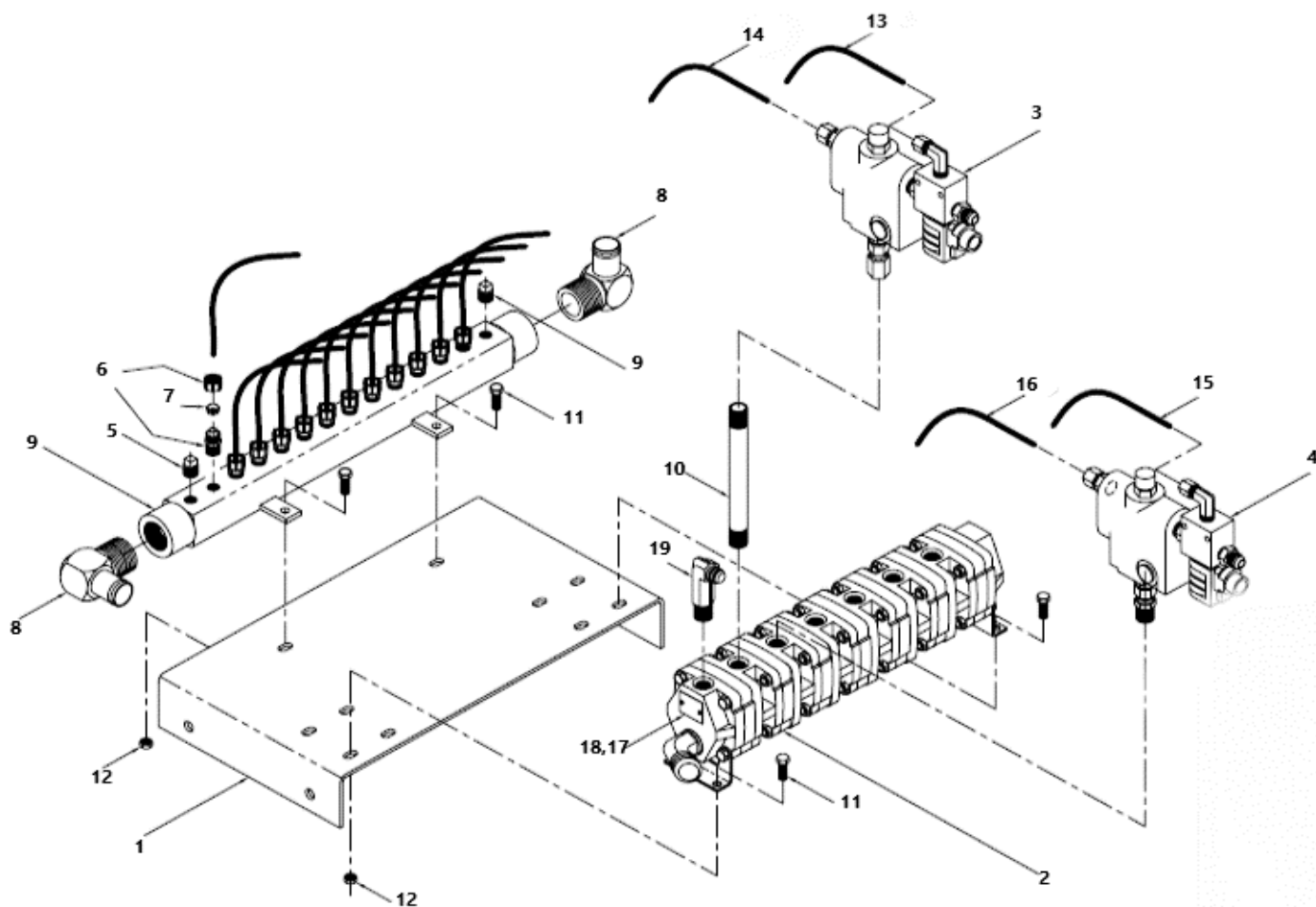
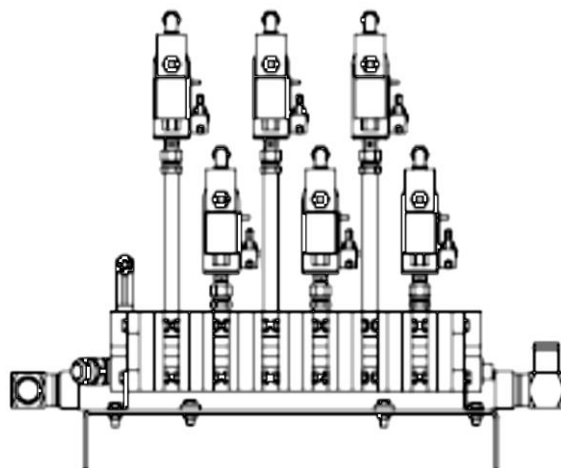
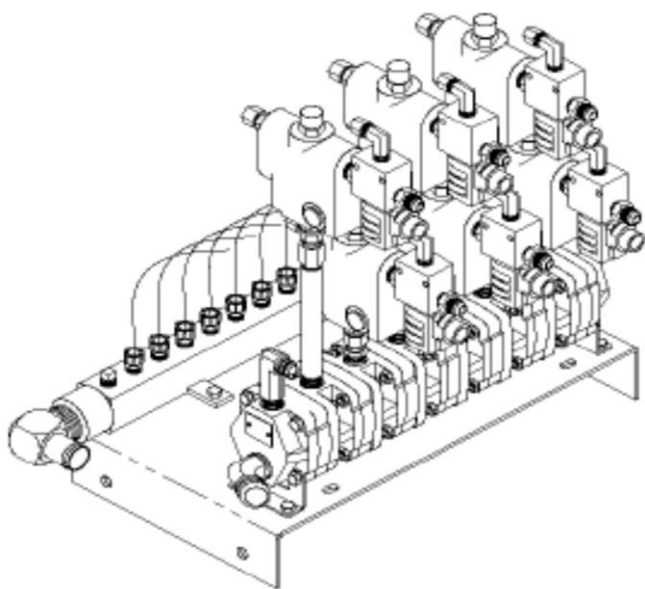
AN O'HANRAHAN COLEMAN COMPANY

HYDRAULICS

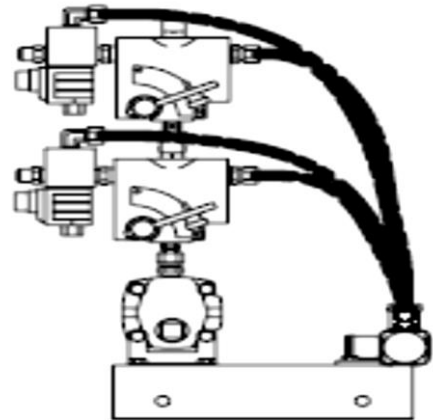
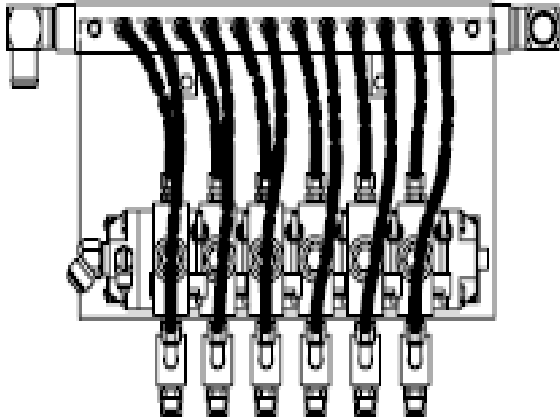


COLEMAN HANNA CARWASH SYSTEMS- 5842 W. 34th STREET- HOUSTON-TEXAS- 77092 TOLL FREE-(800) 999- 9878
INFO@COLEMANHANNA.COM WWW.COLEMANHANNA.COM

HANNA HYDRAULIC PROPORTIONATOR ASSEMBLY



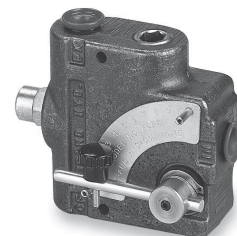
HANNA HYDRAULIC PROPORTIONATOR ASSEMBLY- PARTS LIST



19	111187	1/2 JIC X 1/2 MPT LONG ELL	1
18	320754	RIVET, SERIAL TAG	2
17	130492	SERIAL # PLATE	1
16	024604	TUBE, NYLON 1/2" OD X 14" LG	3
15	024604	TUBE, NYLON 1/2" OD X 20" LG	3
14	024604	TUBE, NYLON 1/2" OD X 21" LG	3
13	024604	TUBE, NYLON 1/2" OD X 28" LG	3
12	040519	NUT ESNA HEX ZC 3/8" NC	6
11	017285	SCREW, HEX CAP ZC 3/8" NC X 1"	6
10	361315	NIPPLE, BLK PIPE 1/2" X 8" SCH 80	3
9	019174	PLUG, BLK 3/8" PIPE	2
8	194811	FTG, HYD EL 90 DEG 1-1/4" MPT X 1-1/4" HOSE BARB	2
7	034801	SLEEVE, INSERT 1/2" 60PB-8	12
6	018804	CONN, PF BR 1/2" PF X 3/8" MPT 68P8-6	12
5	136010	MANIFOLD, HYD 14 PORT	1
4	810175	BRAND VALVE SUB-ASS'Y	3
3	810174	BRAND VALVE SUB-ASS'Y	3
2	804538	PROPORTIONATOR ASS'Y 7-BANK BODY ONLY	1
1	142489	MTG PLATE, PROPORTIONATOR	1
ITEM NO.	PART NO.	DESCRIPTION	REQ'D

HYDRAULIC PROPORTIONATOR PARTS

HYDRAULIC



PART NO.	DESCRIPTION
PROPORTIONATOR SECTIONS: HEX KEY STYLE	
361230	Section Kit 304
361231	Section Kit 307
362647	Section Kit 310
361232	Spacer Kit Bearing & Hex Coupling
802239	Hex Drive Coupling 3/8" x 1-1/8"
116277	O-Ring
362788	Prop Spacer Bearing
PROPORTIONATOR SECTIONS: TANG DRIVE STYLE	
Part No.	Description
180331	Section 304
181917	Section 307
193466	Section 310
186544	End Cap Inlet Only
193482	End Cap Inlet & Outlet
189886	End Cap Top Outlet
181107	Spacer w/ Bearing & Port
317032	Spacer w/ Bearing w/o Port
136010	Return Manifold 14 Port
208064	Return Manifold 8 Port
HYDRAULIC VALVES	
Part No.	Description
320796	Priority Valve
324285	Valve Delta 3/8" N.O. 24VAC
321000	Valve Delta 3/8" N.C. 24 VAC
359801	Valve Relief RV 2L (15 & 20 Hp)
358119	Valve Relief JT 50 (5 & 10 Hp)
197830	Flow Control PCM600






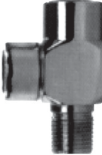





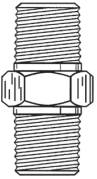
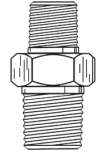
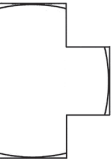
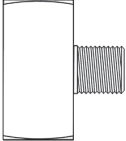
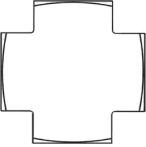
PART NO.	DESCRIPTION
HYDRAULIC CHAR-LYNN MOTORS	
088138*	MTR HYD Char-Lynn
110247*	MTR HYD Char-Lynn
322107*	MTR HYD Char-Lynn
315812*	MTR HYD Char-Lynn
315796*	MTR HYD Char-Lynn
315804*	MTR HYD Char-Lynn
323881*	MTR HYD Char-Lynn
355370*	MTR HYD Char-Lynn
317156*	MTR HYD Char-Lynn
HYDRAULIC MOTOR SEAL KITS	
347666*	Seal Kit 101 Series 009 Design
352294*	Seal Kit 103 Series 010 Design
345801*	Seal Kit 104 Series 006 Design
620287*	Seal Kit 106 Series 006 Design
116749*	Seal Kit H-Series
312074*	Seal Kit 60023
351795*	Seal Kit 60547
315762*	Seal Kit 61202
319988*	Seal Kit 61252
324459*	Seal Kit 60533
340794*	Seal Kit 61237
* CALL FOR AVAILABILITY	

		PART NO.	DESCRIPTION
COUPLINGS			
	035469	Tube Nut 1/2" 5105 x 8	
	363483	Tube Nut 1/2" 318-08 Stainless Steel	
	035485	Tube Sleeve 1/2" 5165 x 8	
	363484	Tube Sleeve 1/2" 319 x 08 Stainless Steel	
	015909	Tube Union Male 1/2" 5305 x 8	
	363481	Tube Union male 1/2" 2403 x 8 x 8 Stainless Steel	
	018648	Street Fitting Male 1/2" x 1/2" 2404 x 8 x 8	
	027458	Street Fitting Male 1/2" x 3/8" 2404 x 8 x 6	
	018697	Street Fitting Male 1" x 1" 2404 x 16 x 16	
	361344	Street Fitting Male-Female 1/2" x 3/8" 2405 x 8 x 6	
	014852	90 Degree Elbow 1/2" x 1/2" 2501 x 8 x 8	
	118406	90 Degree Elbow 3/4" x 3/4" 5405 x 12 x 12	

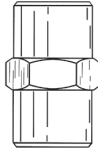
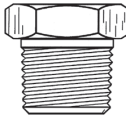
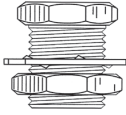
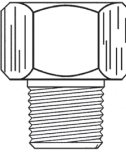
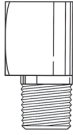
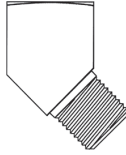
	PART NO.	DESCRIPTION
COUPLING		
	082669	90 Degree Elbow Long 1/2" x 3/8" 2501-L x 8 x 6
	111187	90 Degree Elbow Extra-Long 1/2" x 1/2" 2501-LL 8 x 8
	035550	45 Degree Elbow 1" x 1" 2503 x 16 x 16
	324277	Tee 1/2" JIC x 1/2" JIC x 3/8" NPT 2601 x 8 x 8 x 6
	360593	Tee 1/2" JIC x 3/8" NPT x 1/2" JIC 2605 x 8 x 6 x 8
	035758	Tee 1/2" x 1/2" x 1/2" Male 2605 x 8 x 8 x 8
	015933	Union 1/2" x 1/2" 2700 x 8 x 8
	363482	Union 1/2" Bulkhead 2700 8 x 8 Stainless Steel
	194811	Barb Fitting 1-1/4" NPT x 1-1/4" Barb 4501 x 20 x 20
	194803	Barb 45 Degree Elbow 1-1/4" x 1-1/4" 4503 x 20 x 20

	PART NO.	DESCRIPTION
COUPLING		
	061812	Swivel 1/2" JIC x 1/2" JIC 6500 x 8 x 8
	361302	Street Swivel Connector 1/2" NPT x 1/2" NPT 6505 x 8 x 8
	361343	Street Swivel Connector 3/8" NPT x 1/2" NPT 6505 x 6 x 8
	621282	Swivel Adapter 1/2" NPT Female x 1/2" NPSM Female 6506 x 8 x 8
	350884	Adapter O-Ring 1/4" x 1/4" O-Ring Street 6405 x 4 x 4
	356709	Adapter O-Ring 1/2" Male x 1/2" Female O-Ring 6405 x 8 x 8
	320101	90 Degree O-Ring Connector 1/2" x 3/4" 6801-NWO x 8 x 12
	029330	Adapter Swivel 1/2" 141-15208
	013219	Bushing 3/8" NPT x 1/4" NPT 5406 x 6 x 4
	013227	Bushing 1/2" NPT x 1/4" NPT 5406 x 8 x 4
	013235	Bushing 1/2" NPT x 3/8" NPT 5406 x 8 x 6
	013268	Bushing 3/4" NPT x 1/2" NPT 5406 x 12 x 8
	082180	Bushing 1" NPT x 1/2" NPT 5406 x 16 x 8
	118463	Bushing 1" NPT x 3/4" NPT 5406 x 16 x 12
	035402	Hex Nipple Street 1/2" NPT x 3/8" NPT 5404 x 8 x 6
	012526	Hex Nipple Street 1/2" NPT x 1/2" NPT 5404 x 8 x 8
	012534	Hex Nipple Street 1" NPT x 1" NPT 5404 x 16 x 16
	014779	90 Degree Elbow Street 1/4" x 1/4" 5502 x 4 x 4
	114793	90 Degree Elbow Street 1" x 1" 5502 x 16 x 16
	014829	90 Degree Elbow Street 3/8" x 3/8" 5502 x 6 x 6
	069708	Tee 1/2" Male NPT x 1/2" Female NPT x 1/2" Female NPT 5602 x 8
	064493	Tee 1" Male NPT x 1" Female NPT x 1" Female NPT 5602 x 16 X 16 X 16

FITTINGS




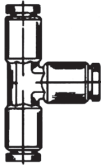
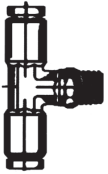
	PART NO.	PIPE THREAD	PIPE THREAD
REDUCERS			
	340711	1/4"	1/8"
	338954	3/8"	1/4"
	338962	1/2"	3/8"
	621078	1/2"	1/4"
CLOSE NIPPLES			
	034819	1/4"	
	327395	3/8"	
	327676	1/2"	
	334359	3/4"	
	334136	1-1/2"	
HEX NIPPLES			
	346247	1/8"	
	012500	1/4"	
	621059	3/8"	
	621111	1/2"	
	621112	3/4"	
TEE			
	014357	1/4"	
	621065	3/8"	
	621096	1/2"	
	360257	3/4"	
MALE BRANCH TEE			
	034827	1/8"	
	014340	1/4"	
CROSS			
	621030	1/4"	
	621056	3/8"	
	621068	1/2"	
	621076	3/4"	
	621094	1"	

HYDRAULIC

	PART NO.	PIPE THREAD
COUPLING		
	327429	1/4"
	338988	3/8"
BUSHING		
	013185	1/4" x 1/8"
	027508	3/8" x 1/4"
	621040	1/2" x 1/4"
	327700	1/2" x 3/8"
	621041	3/4" x 1/4"
	327718	3/4" x 3/8"
	327726	3/4" x 1/2"
353433	1" x 3/4"	
BULKHEAD FITTING		
	015693	1/4"
	361013	1/2"
ADAPTER		
	196469	1/4" x 1/8"
	327668	3/8" x 1/4"
	334334	1/2" x 1/4"
	028720	1/2" x 3/8"
90° STREET ELBOW		
	621011	1/8"
	014738	1/4"
	015263	3/8"
45° STREET ELBOW		
	014712	1/4"

BRASS "PUSH LOCK" CONNECTORS

HYDRAULIC

	PART NO.	DESCRIPTION
MALE CONNECTOR		
	341578	AQ68P4-2 1/4" x 1/8"
	341586	AQ68P4-4 1/4" x 1/4"
	341594	AQ68P6-4 3/8" x 1/4"
	341610	AQ68P8-4 1/2" x 1/4"
	341628	AQ68P8-6 1/2" x 3/8"
ELBOW 90°		
	Part No.	Description
	341636	AQ69P4-2 1/4" x 1/8"
	341644	AQ69P4-4 1/4" x 1/4"
	341651	AQ69P6-4 3/8" x 1/4"
	341685	AQ69P8-6 1/2" x 3/8"
	341669	AQ69P6-6 3/8" x 3/8"
	353904	AQ69P8-8 1/2" x 1/2"
	341677	AQ69P8-4 1/2" x 1/4"
STRAIGHT UNION		
	341529	AQ62-P-6 3/8"
	341537	AQ62-P-8 1/2"
	341511	AQ82P4 1/4" Bulkhead Union
UNION TEE		
	341545	AQ64P-4 1/4"
	341552	AQ64P-6 3/8"
	341560	AQ64P-8 1/2"
MALE BRANCH TEE		
	Part No.	Description
	360783	3/8" x 1/4"

BRASS POLY PUSH INSERT TUBE

For use with polyethylene and nylon tubing on pneumatic instrumentation circuits. Working pressure is vacuum to 285 psi. Temperature range is from 0 degree to 150 degree F. Poly-push fittings are made with an inner nitrile o-ring and elastic grab ring with radial claws. Simply push the tubing in for an instant. To release, push on the push-sleeve and the tubing easily slides out.



AN O'HANRAHAN COLEMAN COMPANY

NOTES

DRAWINGS



NOTES



COLEMAN HANNA CARWASH SYSTEMS- 5842 W. 34th STREET- HOUSTON-TEXAS- 77092 TOLL FREE- (800) 999- 9878
INFO@COLEMANHANNA.COM WWW.COLEMANHANNA.COM