



AN O'HANRAHAN COLEMAN COMPANY



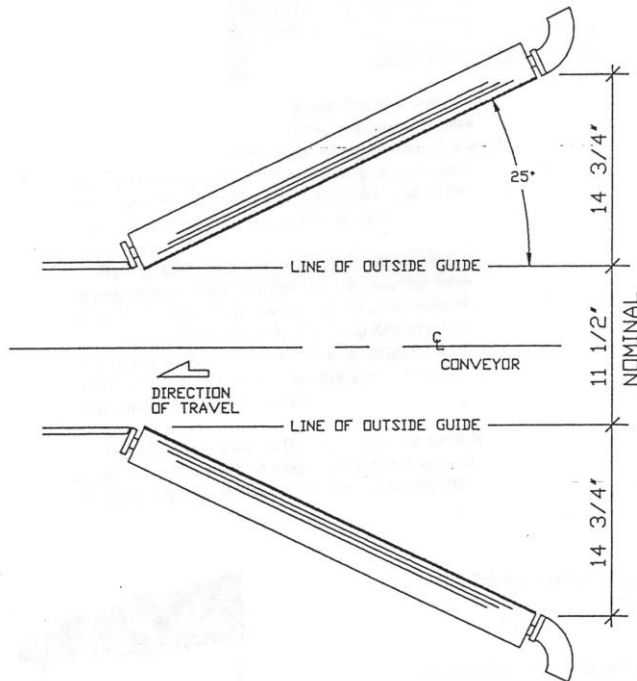
# CONVEYORS & CORRELATORS



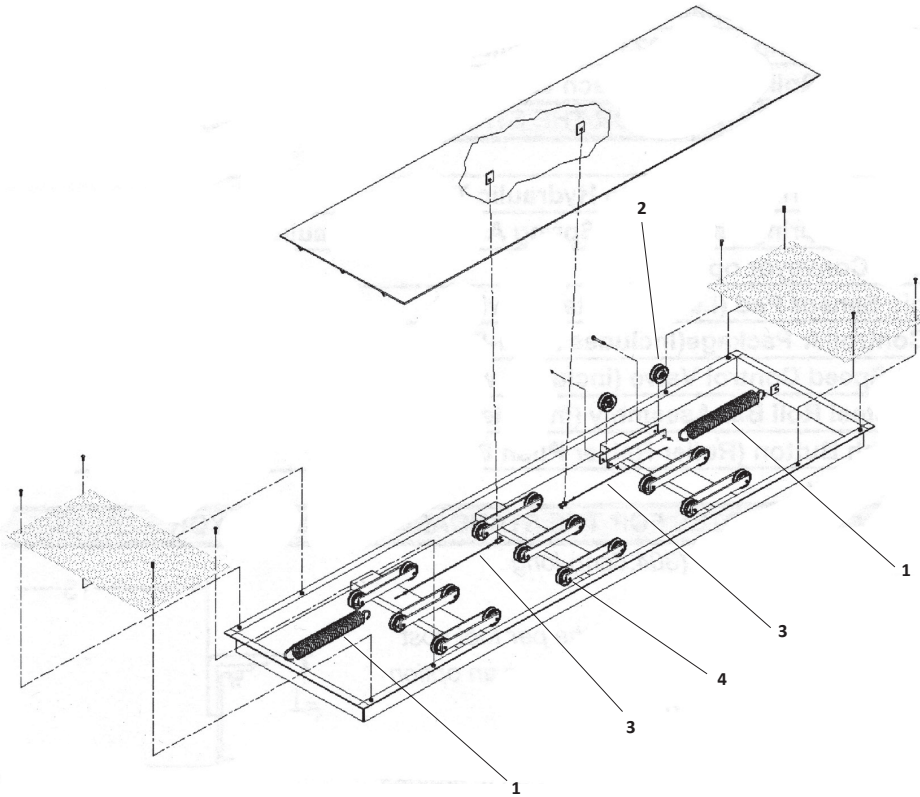
COLEMAN HANNA CARWASH SYSTEMS- 5842 W. 34<sup>th</sup> STREET- HOUSTON-TEXAS- 77092 TOLL FREE- (800) 999- 9878  
INFO@COLEMANHANNA.COM WWW.COLEMANHANNA.COM

CONVEYOR ROLL-BAR ASSEMBLIES

CONVEYOR

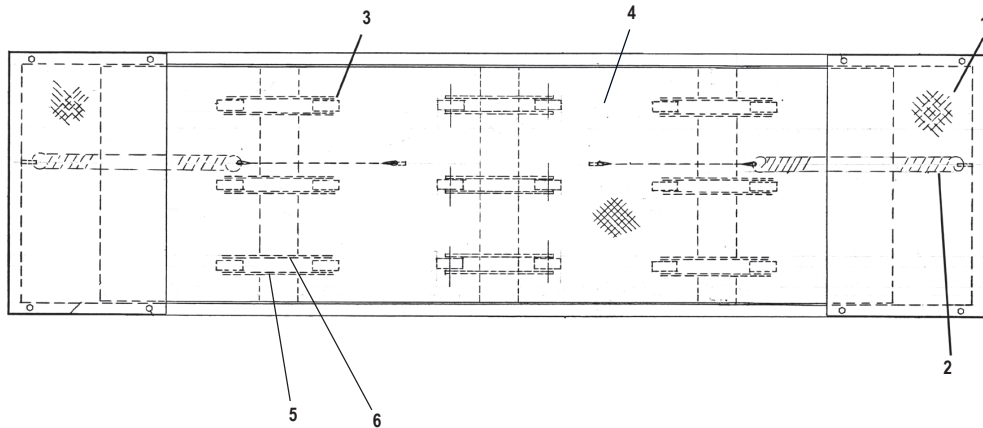


PART NO.	DESCRIPTION
804169	C3/C4 Roll-Bar Assembly Stainless Steel
804167	Roll-Bar Tube 2-3/8" O.D.
804163	Roll-Bar Bearing
804174	Shaft
804452	Entrance Left Roll Bar Bracket
804453	Entrance Right Roll Bar Bracket



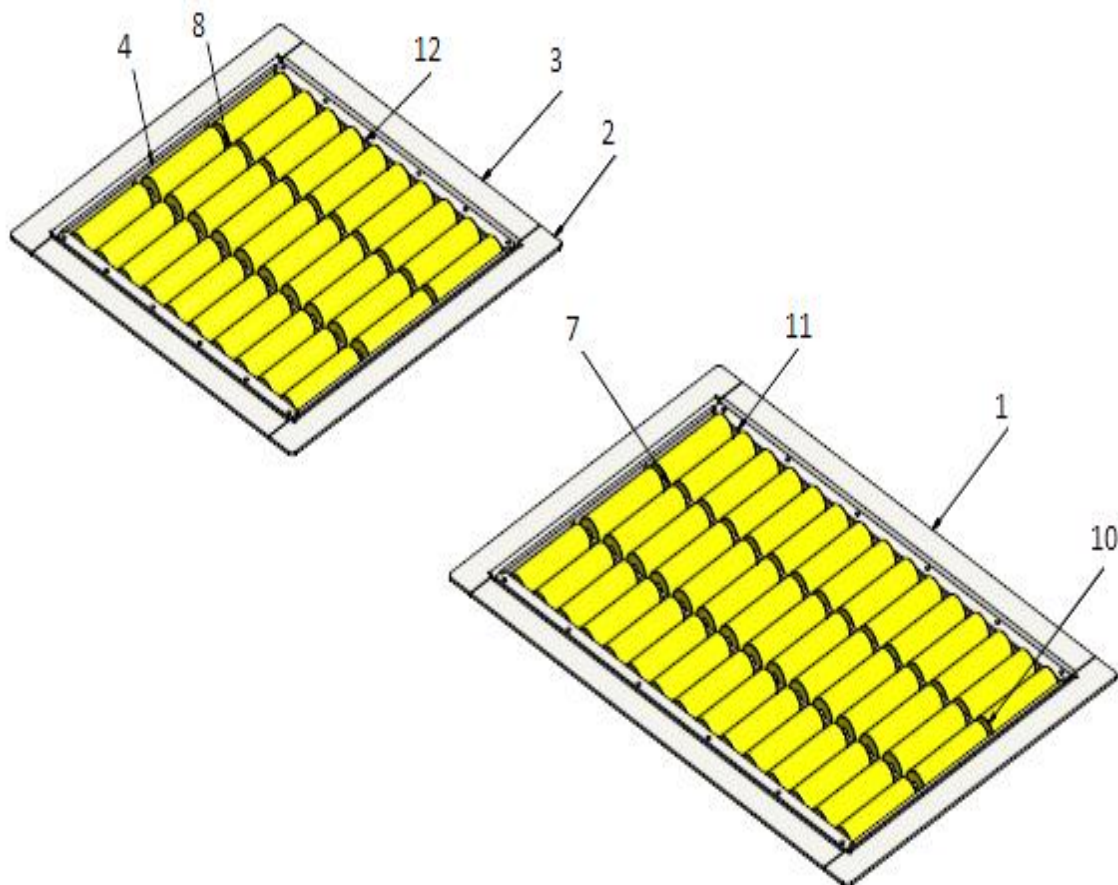
ITEM	PART NO.	DESCRIPTION
1	255604	Spring
2	161794	Castor Wheel
3	265967	Cable
4	340737	Shoulder Bolt

C-3 Correlator



ITEM	PART NO.	DESCRIPTION
<b>C-3 AND C-4 CORRELATORS</b>		
1	279117	C-3 Cover Plate End Correlator
	279158	C-4 Cover Plate End Correlator
2	265968	Correlator Spring Assembly with Cable
	255604	Correlator Spring
3	161794	Correlator Caster with Bushing
	340737	1/2 x 2-1/2 Shoulder Bolt
	040519	3/8" National Coarse ESNA Nut
4	279109	C-3 Top PL 36" x 120"
5	801481	Bracket Caster Punched Hole
6	801482	Bracket Caster Threaded

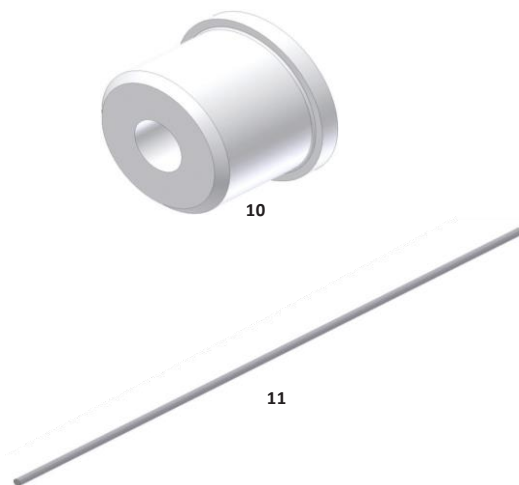
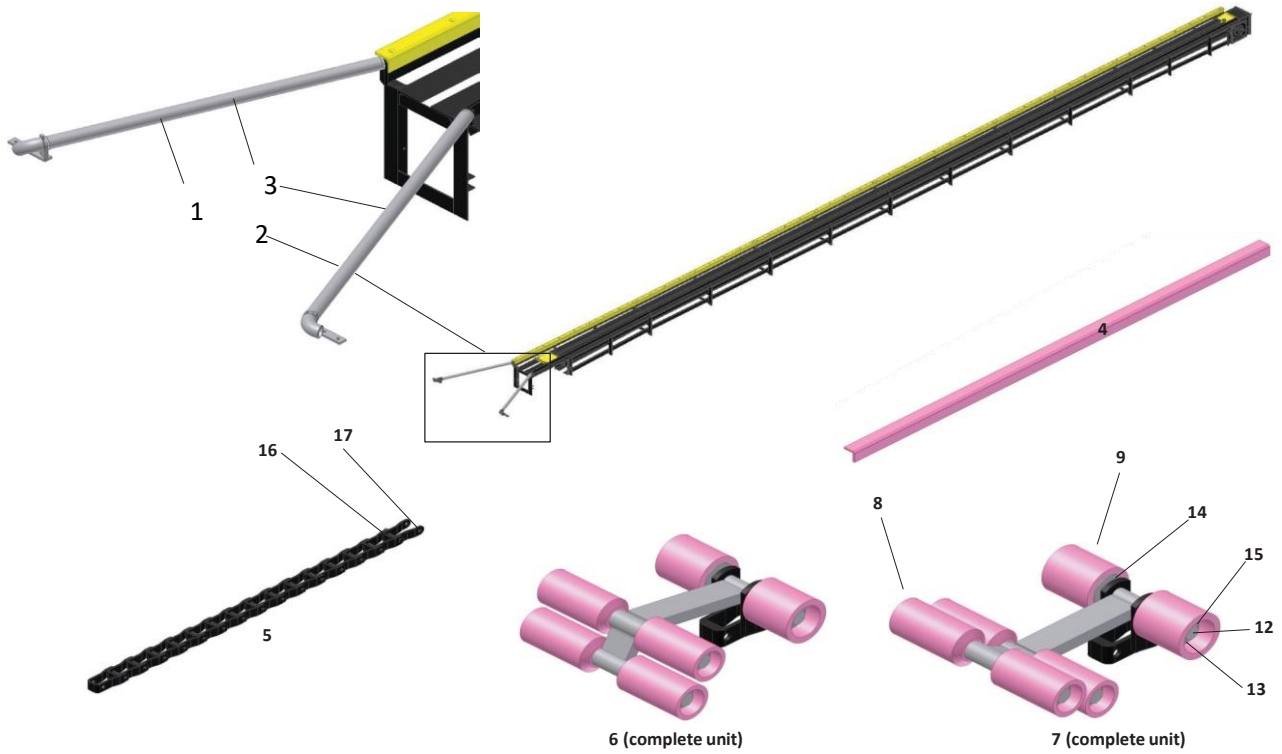
## HANNA ROLLER CORRELATOR



12	H815730	2	CORRELATOR ROD END CLAMPING PLATE	2
11	H815729	2	CORRELATOR- ROD END CLAMPING PLATE	2
10	H815720	1	CORRELATOR ROLLER	75
9	H815732	0	CORRELATOR SHAFT	25
8	H815722	2	CORRELATOR - ROLLER SUPPORT PLATE D	2
7	H815727	2	CORRELATOR - ROLLER SUPPORT PLATE P	2
6	H815728	2	CORRELATOR - ROD END SUPPORT BRACKET	2
5	H815726	2	CORRELATOR ROD END SUPPORT BRACKET	2
4	H815731	0	CORRELATOR - SIDE GAP FILLER	4
3	H815724	2	CORRELATOR T/B SIDE (30.5)	2
2	H815723	1	CORRELATOR -L/R SIDE	4
1	H815725	2	CORRELATOR T/B SIDE (45.5)	2
ITE	PART NO.	REV	DESCRIPTION	QTY

CONVEYOR AND ROLL BARS

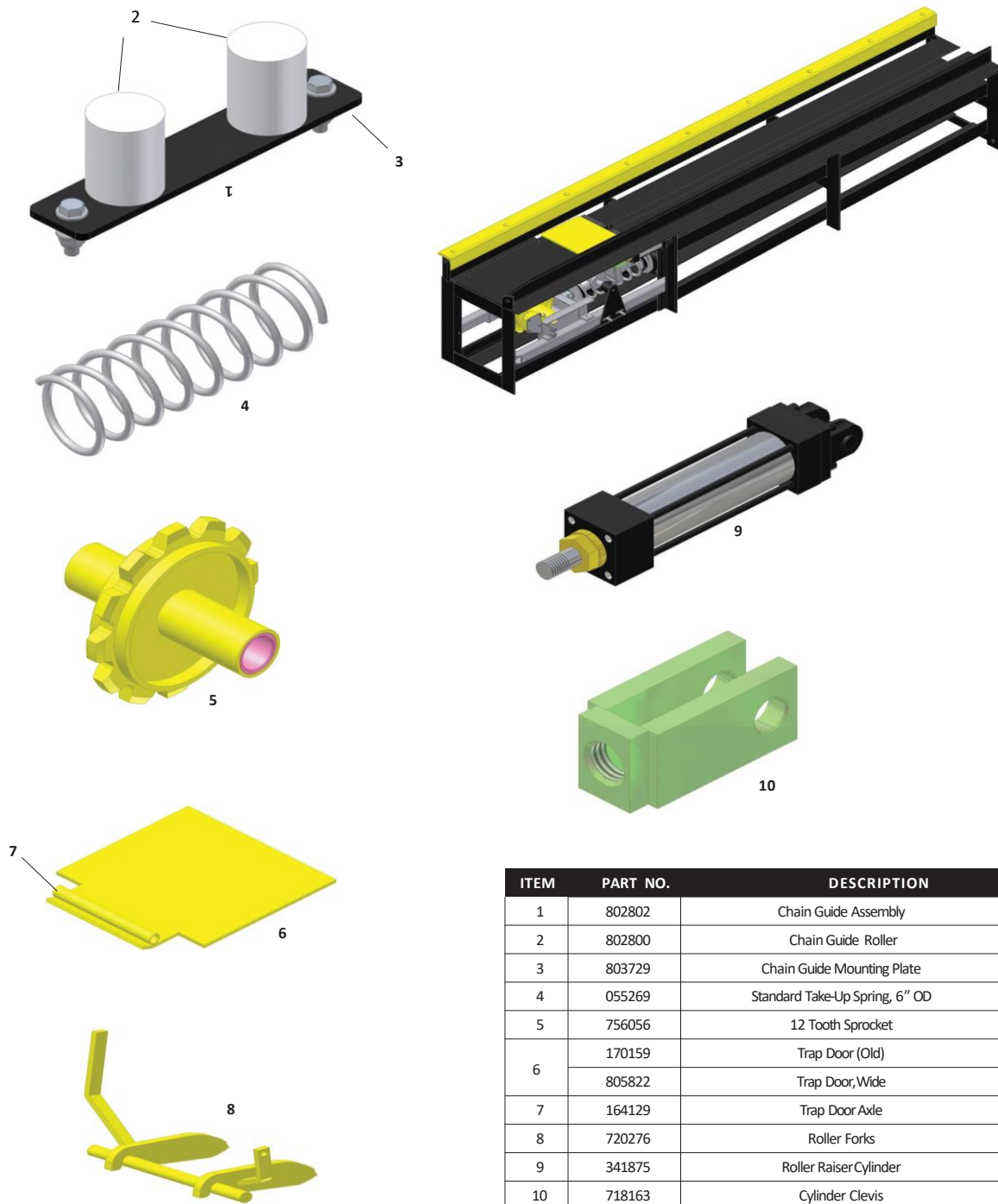
CONVEYORS



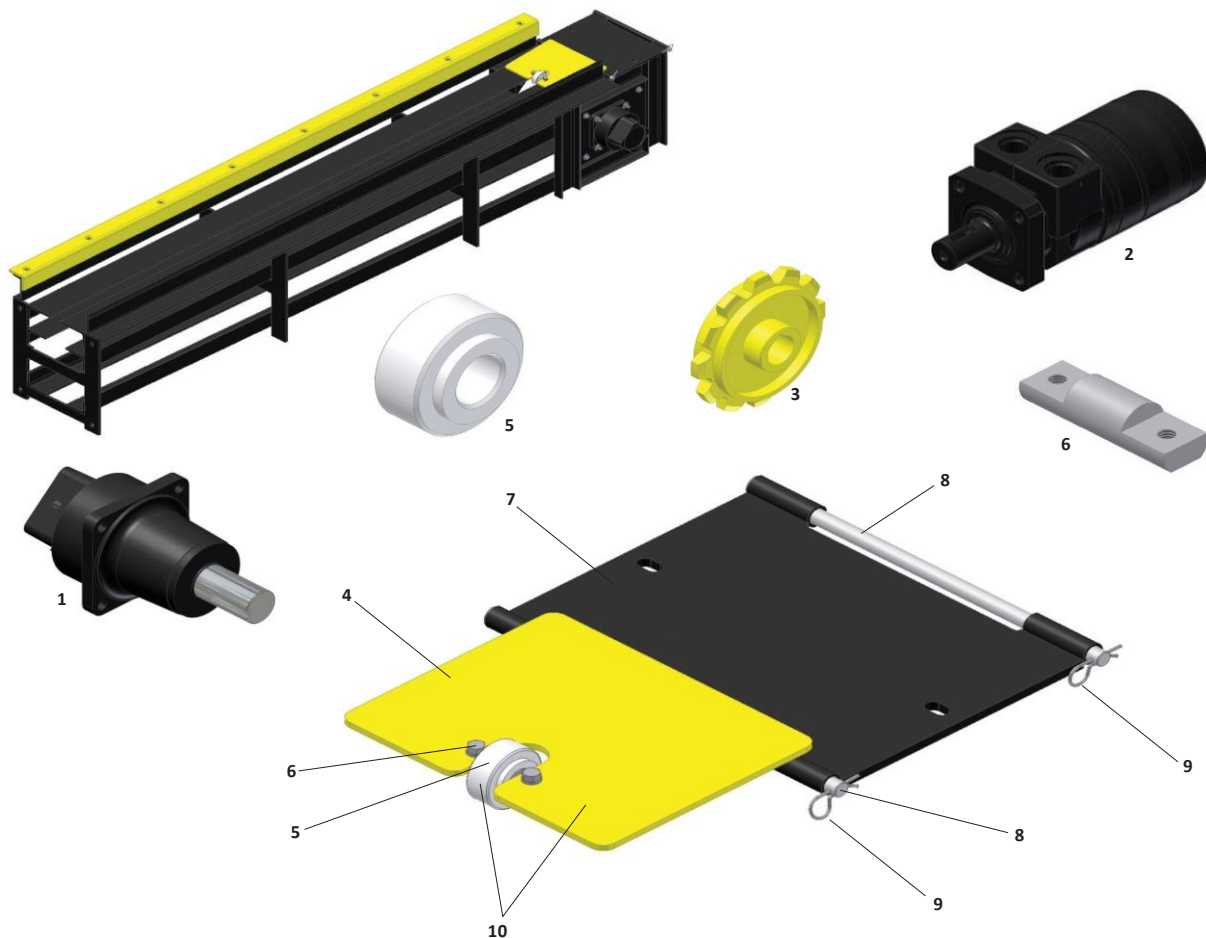
ITEM	PART NO.	DESCRIPTION
1	804452	Roller Bar Bracket - Left
2	804453	Roller Bar Bracket - Right
3	804167	Roll Bar Tube
4	708955	Hannatron - 10 foot
5	368235	Chain - 16 Pitch - Riveted
	368236	Chain - 18 Pitch - Cottered
6	750372	Low Profile Pusher
7	717104	High Profile Pusher
8	716985	2 X 4 Roller
9	265827	2-1/2 X 2-3/4 Roller
10	804163	Roll Bar Bushing
11	804174	Roll Bar Shaft
12		Washer
13		Washer
14		Washer
15		Bolt
16	368237	Chain Pin
17	020420	Cotter Pin

CONVEYOR TAKE-UP

CONVEYORS



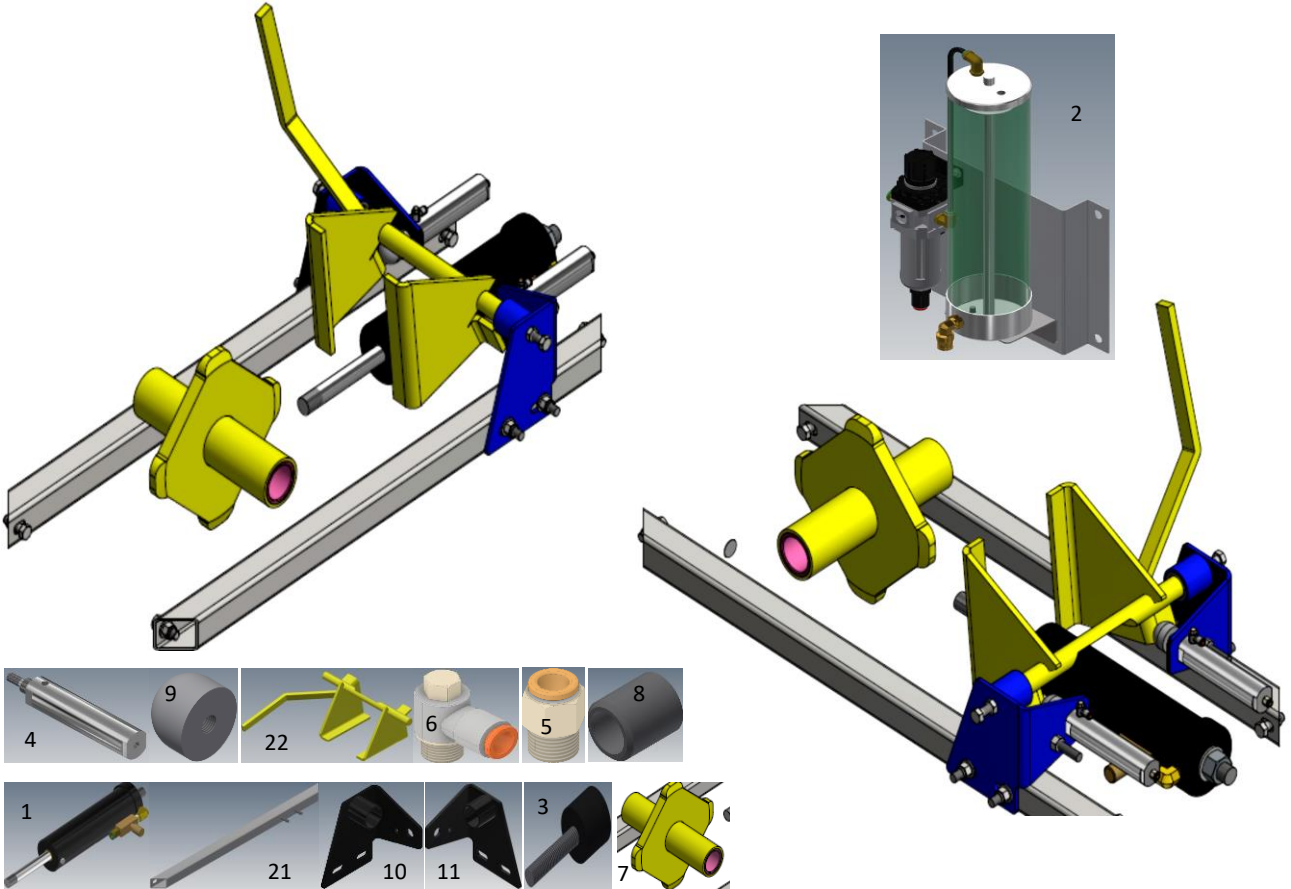
ITEM	PART NO.	DESCRIPTION
1	802802	Chain Guide Assembly
2	802800	Chain Guide Roller
3	803729	Chain Guide Mounting Plate
4	055269	Standard Take-Up Spring, 6" OD
5	756056	12 Tooth Sprocket
6	170159	Trap Door (Old)
	805822	Trap Door, Wide
7	164129	Trap Door Axle
8	720276	Roller Forks
9	341875	Roller Raiser Cylinder
10	718163	Cylinder Clevis



ITEM	PART NO.	DESCRIPTION
1	320663	RCV Gearbox
2	344598	Hydraulic Drive Motor
3	231415	12 Tooth Sprocket
4	814251	Trap Door
5	814381	Trap Door Roller
6	177881	Trap Door Axle
7	256008	Cover Plate
8	273839	Trap Door Axle
9	339853	Hairpin
10	814823	Trap Door & Roller Assembly
	265777	Complete Trap Door & Cover Rebuild Kit

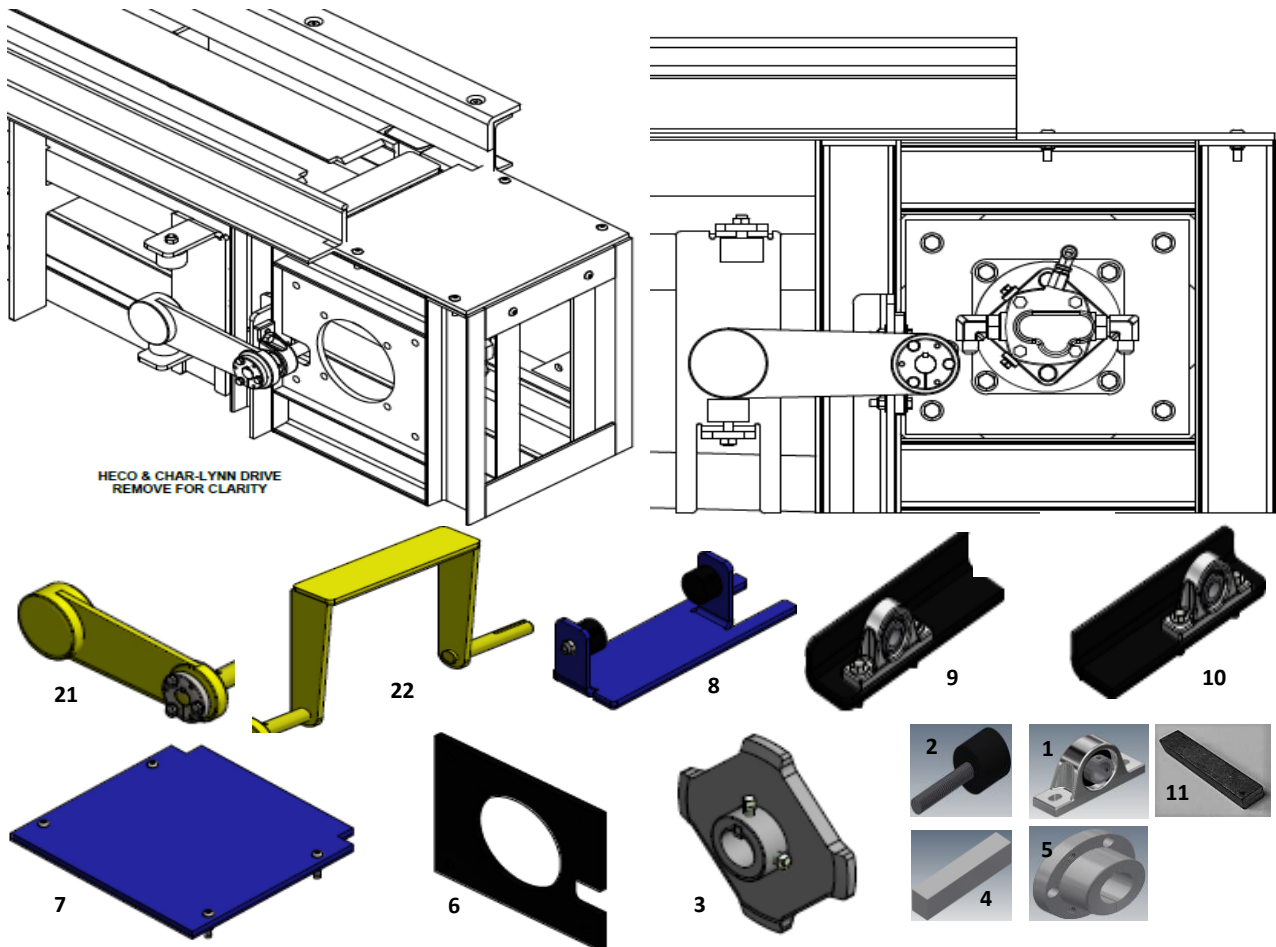


**CONVEYOR TAKE-UP SECTION- HYDRAULIC FOR X 458 CHAIN, 4 W PUSHER**



22	H816007	0	ANTI-JAM ROLLER RAISER	1
21	H816036	0	TAKE-UP SLIDE RAIL	2
20	H623054	-	WSHR FLAT SS 1"	1
19	H623033	-	WSHR FLAT SS 1/2"	8
18	H622934	-	SCR HEX CAP SS 1/2"-13 UNC X 1 1/2"	6
17	H622726	-	NUT HEX SS 1-8 UNC	1
16	H622715	-	NUT HEX JAM SS 1/2"-13 UNC	2
15	H622709	-	NUT ESNA HEX SS 1/2"-13 UNC	8
14	H370082	-	NUT HEX JAM SS 7/16 - 20UNF	2
13	H362795	-	NUT HEX SS 1/2-13 UNC	2
12	H333476	-	NUT HEX JAM SS 3/4"-UNC	2
11	H816717	0	LH ROLLER PIVOT BRACKET	1
10	H816716	0	RH ROLLER PIVOT BRACKET	1
9	H815458	1	ROLLER FORK BUMPER	2
8	H253427	2	FORK BUSHING	2
7	H816591	0	TAKEUP SPROCKET ASSEMBLY	1
6	H370215	-	FTG, CONN, ELL, 1/4 POLY X 1/8-NPT	2
5	H370214	-	FTG, CONN, 1/4 POLY X 1/8-NPT	2
4	H370075	-	CYLINDER, AIR, 1-1/4" X 2.000"	2
3	H228536	-	BUMPER STOP, 1-1/2" X 1-1/4" X 1/2-13 UNC	2
2	H817129	0	AIR/OIL POT ASSEMBLY	1
1	H709337	0	HYDRAULIC CYLINDER ASSEMBLY	1
<b>ITEM</b>	<b>PART NO.</b>	<b>REV</b>	<b>DESCRIPTION</b>	<b>QTY</b>

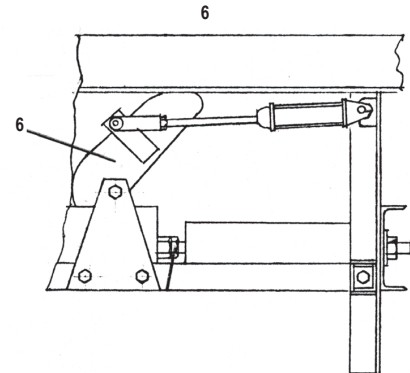
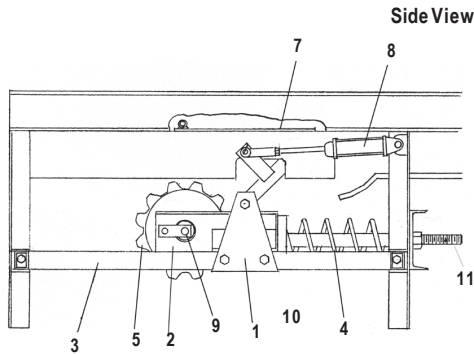
**CONVEYOR DRIVE END SECTION- FOR X 458 CHAIN, w/DISSAPEARING T/Door**



21	H816025	0	COUNTERWEIGHT ARM ASSEMBLY	2
20	H816004	0	DISAPPEARING EXIT DOOR- 4 WHEEL PUSHER	2
19	H623030	-	WSHR FLAT SS 3/8"	24
18	H622966	-	SCR HEX SS 3/8-16 NC 1-3/4	8
17	H622715	-	NUT HEX JAM SS 1/2"-13 UNC	4
16	H622710	-	NUT ESNA HEX SS 3/8-16 UNC	16
15	H362569	-	WSHR SPLT LOCK SS 5/16"	6
14	H362153	-	SCR HEX CAP SS 5/16"-18 UNC X 1-1/2"	6
13	H335869	-	SCR SET SQ HD ZC 1/2-13 UNC X 1"	4
12	H325415	-	SCREW, BUTTON HEAD SS, 3/8-UNC X 1 1/2"	8
11	H817192	0	KEY, S/S, 1/4 X 1/4 X 1-1/4"	2
10	H816018	0	BEARING MOUNT (RIGHT)	2
9	H816017	0	BEARING MOUNT (LEFT)	2
8	H816016	1	STOP BRACKET	2
7	H816015	2	DRIVE END RCV CONVEYOR	2
6	H814305	0	MOUNTING PLATE - GEARBOX	1
5	H176875	4	BUSHING TAPERLOCK 1"	2
4	H158436	4	KEY, 1/2 X 1/2 X 2-3/4"	2
3	H816748	0	DRIVE SPROCKET WELDMENT	2
2	H194688	-	RBR STOP 2" X 1 1/4"	4
1	H010405	-	1" PILLOW BLOCK BEARING	4
<b>ITEM</b>	<b>PART NO.</b>	<b>REV</b>	<b>DESCRIPTION</b>	<b>QTY</b>

**RCV CONVEYOR TAKE UP ASSEMBLY**

**CONVEYOR**



Side View

ITEM	PART NO.	DESCRIPTION
<b>RCV CONVEYOR TAKE UP ASSEMBLY</b>		
1	254276	RCV Fork Bushing Plate
	253427	RCV Fork Bushing
	756091	RCV Fork Plate & Bushing Assembly Plate
2	254268	RCV Take-Up Slide (current production)
	148205	Slide Pad 1/8 x 2 x 2
3	806141	RCV Slide Rail
4	055269	RCV Take-Up Spring 6" x 18"
5	253393	Take-Up Drum Thrust Bushing
	253394	Take-Up Drum Washer
	253419*	RCV Conveyor Take Up Drum (bushing style)
	756056	Take Up Sprocket with Bushing (12 Tooth)
	756049*	Take Up Sprocket with Bushing (14 Tooth)
6	720276	RCV Roller Fork Bushing Style Curved
7	170159	Entrance Trap Door
	170167	Entrance Trap Door Hinge
	164129	Trap Door Axle 5/8" x 12"
	805827	Entrance Trap Door Wire
8	341875	Cylinder
	718163	Cylinder Clevis 1-1/2"
9	253435	RCV Take-Up Shaft
10	720417	Spring Retainer
11	801133	1" x 24" All Tread Rod
* CALL FOR AVAILABILITY		

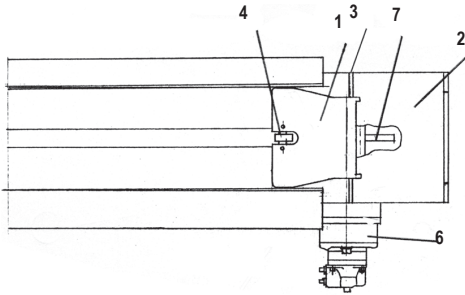


170159

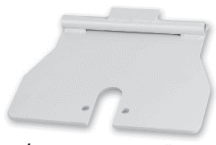
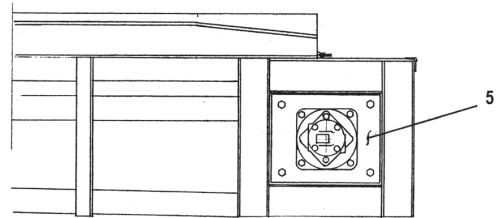
# RCV CONVEYOR DRIVE ASSEMBLY

# CONVEYOR

Top View



Side View



1



2



4



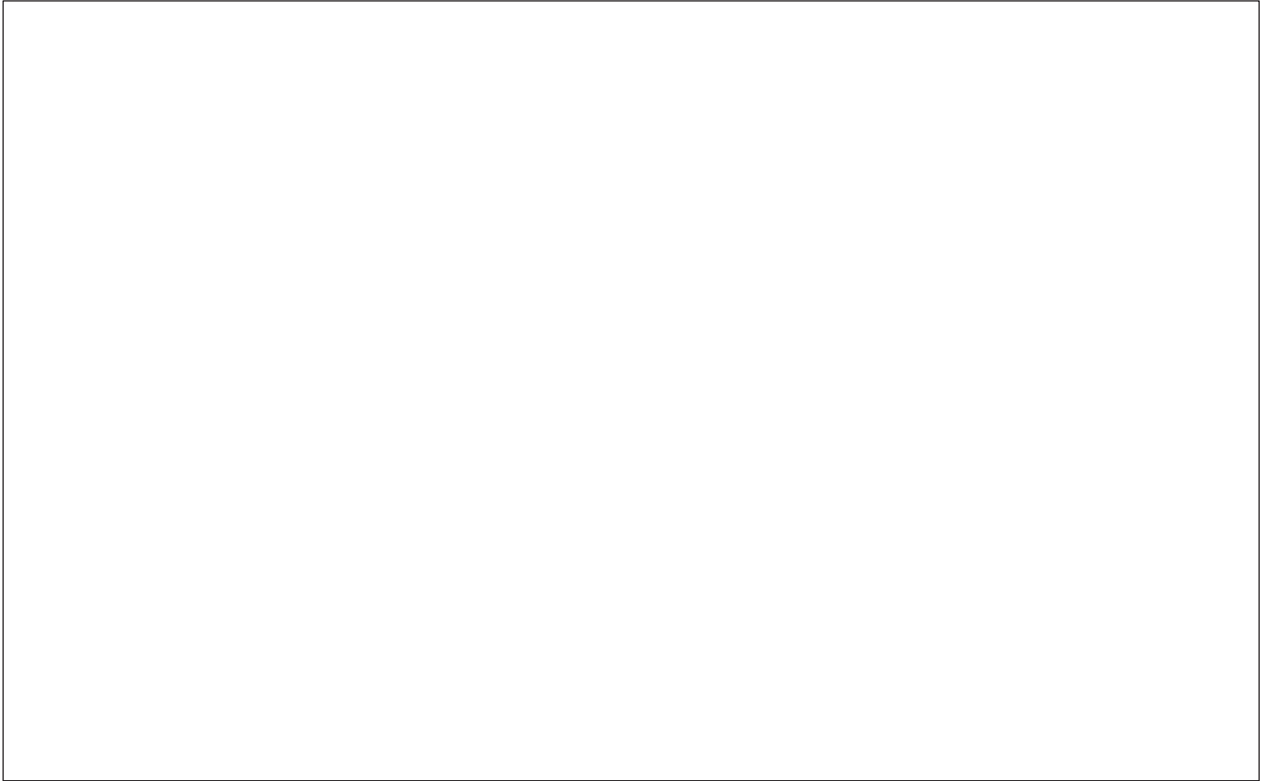
4

ITEM	PART NO.	DESCRIPTION
<b>RCV CONVEYOR DRIVE ASSEMBLY</b>		
1	170175*	Exit Trap Door (old style)
	255992*	Exit Trap Door (previous production)
	723288*	Exit Trap Door (use 814251)
2	256008	Exit Cover Plate with hinge
3	273839	Trap Door Axle 15.75"
	339853	Hair Pin Clip 1/8"
4	177873*	Trap Door Roller 1 x 2-1/2" (use 814381)
	177881	Trap Door Roller Axle 1 x 3-1/4"
5	231696	RCV Motor Mounting Plate
	314989*	Motor and Gearbox - HECO 16CF with Sun Gear Assembly
6	329003	Sun Gear 16-E
	320663	Heco CF 161-05-3
	315796*	Char-Lynn 1034
7	231415	RCV Drive Sprocket 12T 2-1/4" Bore (current production)
	269910*	RCV Drive Sprocket 14T 2-1/4" Bore
	231423*	RCV Drive Sprocket 12T 2-7/16" Bore (old style)
	275297*	RCV Drive Sprocket 14T 1-1/2" Bore (old style)
	269860*	RCV Drive Sprocket 14T 2-7/16" Bore (old style)
	275495*	RCV Drive Sprocket 12T 1-1/2" Bore (old style)
* CALL FOR AVAILABILITY		



**NOTES**

DRAWINGS



NOTES

---

---

---

---

---

---

---

---

---

---

---

---

---

---

---

---

---

---

---

---

---

---

---



COLEMAN HANNA CARWASH SYSTEMS- 5842 W. 34<sup>th</sup> STREET- HOUSTON-TEXAS- 77092 TOLL FREE- (800) 999- 9878  
INFO@COLEMANHANNA.COM WWW.COLEMANHANNA.COM