

Hanna Tunnels

parts manual



PARTS DEPARTMENT

1.866.927.4229 • 713.590.6652.fax

www.colemanhanna.com

TABLE OF CONTENTS

SECTION	ITEMS	PAGE
2006 - PRESENT		
CONVEYORS		
	CONVEYOR AND ROLL BARS	1
	CONVEYOR TAKE-UP	3
	CONVEYOR DRIVE	5
	CORRELATOR	7
FREESTANDING BRUSHES		
	FTM & DTM MITTERS	9
	HSS MITTERS	11
	HUB CAP ROCKER PANELS (HCRP)	13
	FLEX WRAPS	15
	HORIZONTAL & ANGLED SIDE BRUSHES	17
	TIRE WASHERS & TIRE GLAZE	19
HIGH PRESSURE AND VOLUME APPLICATIONS		
	SOLUTION PUMPS	21
	WATER WIZARD & COMBO WIZARD ARCHES	23
AIR DRYERS		
	AIR DRYER	25
PARTS CROSS REFERENCES		
	BRUSH CORES & PARTS	27
	BRUSH CLOTH	29
	HYDRAULIC MOTORS	31
	BALL BEARINGS	33
	NOZZLES	33
1995 - 2005		
CONVEYORS		
	RCV PUSHER ASSEMBLY	35
	PUSHER ASSEMBLIES – 4 WHEEL	37
	SURFACE CONVEYOR ITEMS	39
	RCV CONVEYOR DRIVE ASSEMBLY	41
	RCV CONVEYOR TAKE UP ASSEMBLY	43
	H-HSC CONVEYOR DRIVE ASSEMBLY	45
	H-HSC CONVEYOR TAKE UP ASSEMBLY	47
	CONVEYOR ROLL-BAR ASSEMBLIES	49
	CORRELATORS	51
	LIMIT SWITCHES–MICRO AND SQUARE D	53
	PROXIMITY MAGNETIC SWITCHES	55

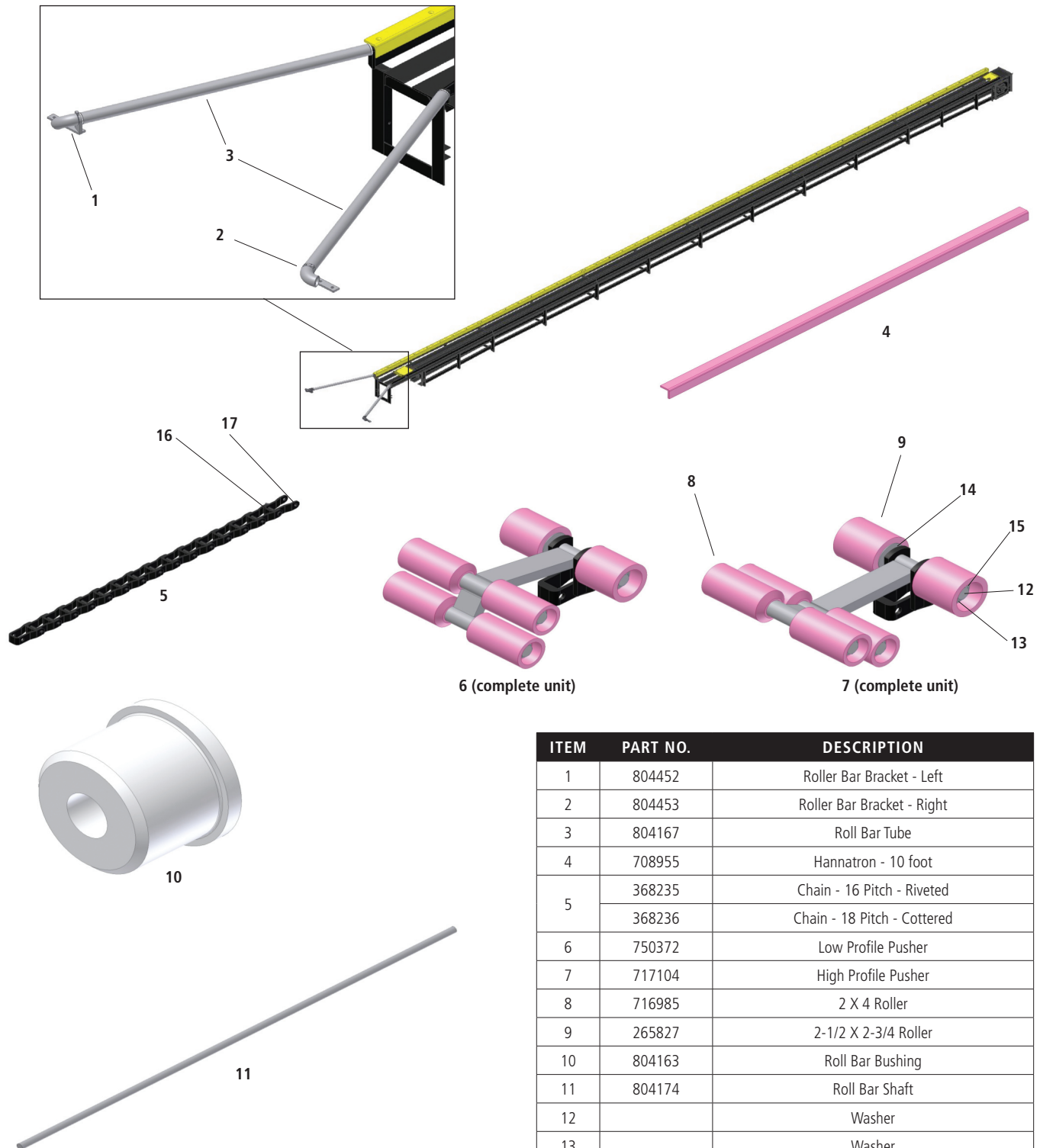
(Continued on Next Page)



TABLE OF CONTENTS

SECTION	ITEMS	PAGE
1995 - 2005 (CONTINUED)		
FREESTANDING BRUSHES		
	TIRE WASHER TW-96	57
	TIRE WASHER TW-2	59
	MISCELLANEOUS TIRE WASHER ITEMS & UPDATES	61
	HUBCAP ROCKER PANELS	63
	SIDE WASHER	65
	SIDE WINDOW/ROCKER PANEL	67
	SIDE WINDOW/ROCKER PANEL	69
	WRAPAROUND ARM ASSEMBLIES	71
	WRAPAROUND ARM ASSEMBLIES	73
	WRAPAROUNDS	75
	WRAPAROUNDS	77
	MISC. BRUSH-WASH PACKAGE PARTS	79
	HDM-3 MITTER	81
	HSS-2 MITTER	81
	Finishing Touch MITTER	85
	WASH PACKAGE HYDRAULIC	87
	REPLACEMENT MITTER MATERIAL	89
	REPLACEMENT MITTER MATERIAL	91
	HDM-2 CONVERSION	93
	HUBCAP ROCKER PANEL BRUSH	95
	SIDE WASHER/ROCKER PANEL BRUSH	97
	SIDE WASHER/ROCKER PANEL BRUSH	99
	SAFETY WASHAROUND BRUSH	101
	HORIZONTAL WINDOW WASHER BRUSH	103
HIGH PRESSURE APPLICATORS		
	AUTO PREP	105
	AUTO PREP	107
	AUTO PREP PRESSURE PUMP	109
VACUUMS		
	HSI CENTRAL VACUUMS	111
	VACUUM HOSE, TOOLS AND CUFFS	113
HYDRAULIC		
	HYDRAULIC PROPORTIONATOR PARTS	115
	FLEX COUPLINGS AND SPYDERS	117
	FITTINGS	119
	FITTINGS	121
	FITTINGS	123
	FITTINGS	125
	FITTINGS	127
	BRASS "PUSH LOCK" CONNECTORS	129
ELECTRIC MOTORS		
	60 HZ ELECTRIC MOTORS	131

CONVEYOR AND ROLL BARS **CONVEYORS**



ITEM	PART NO.	DESCRIPTION
1	804452	Roller Bar Bracket - Left
2	804453	Roller Bar Bracket - Right
3	804167	Roll Bar Tube
4	708955	Hannatron - 10 foot
5	368235	Chain - 16 Pitch - Riveted
	368236	Chain - 18 Pitch - Cottered
6	750372	Low Profile Pusher
7	717104	High Profile Pusher
8	716985	2 X 4 Roller
9	265827	2-1/2 X 2-3/4 Roller
10	804163	Roll Bar Bushing
11	804174	Roll Bar Shaft
12		Washer
13		Washer
14		Washer
15		Bolt
16	368237	Chain Pin
17	020420	Cotter Pin



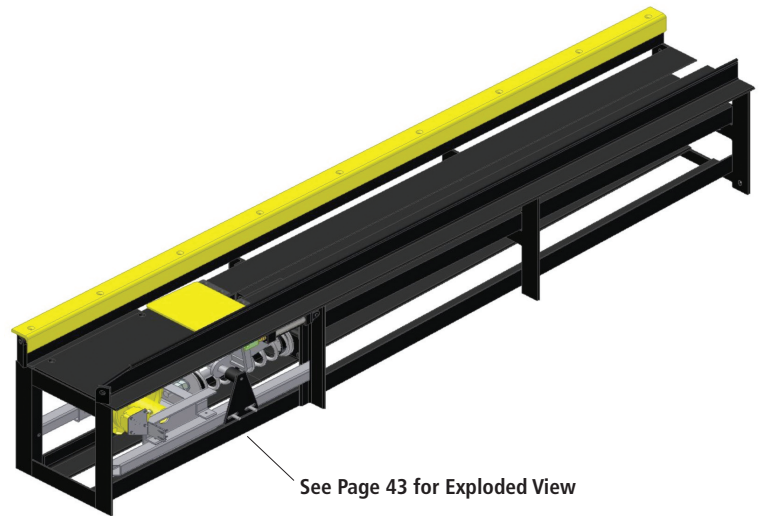
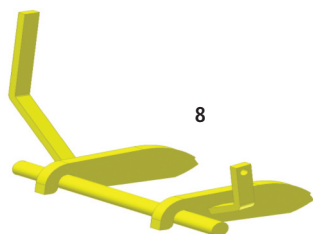
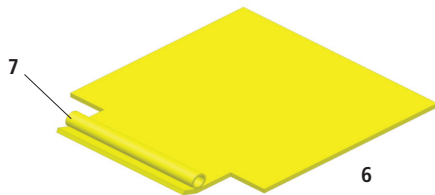
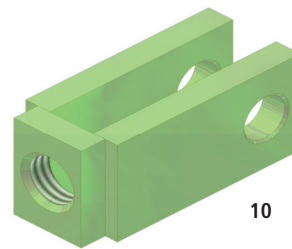
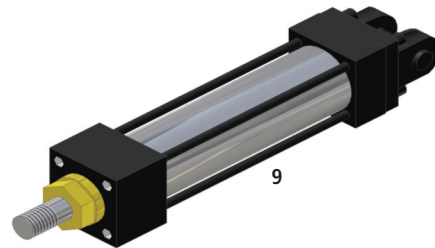
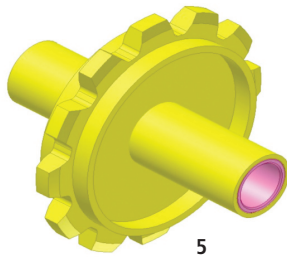
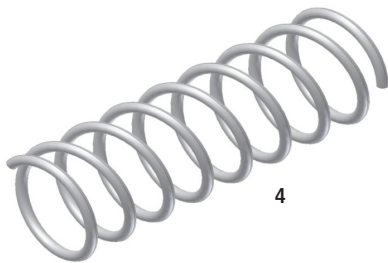
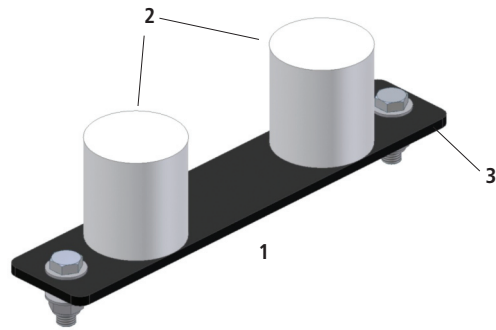
Hanna
A Division of Jim Coleman Co.
5842 West 34th Street, Houston, Texas 77092
Email: hannaparts@jcolemanco.com
www.hannacarwash.com • www.jcolemanco.com

NOTES

DRAWINGS

NOTES

CONVEYOR TAKE-UP **CONVEYORS**



ITEM	PART NO.	DESCRIPTION
1	802802	Chain Guide Assembly
2	802800	Chain Guide Roller
3	803729	Chain Guide Mounting Plate
4	055269	Standard Take-Up Spring, 6" OD
5	756056	12 Tooth Sprocket
6	170159	Trap Door (Old)
	805822	Trap Door, Wide
7	164129	Trap Door Axle
8	720276	Roller Forks
9	341875	Roller Raiser Cylinder
10	718163	Cylinder Clevis

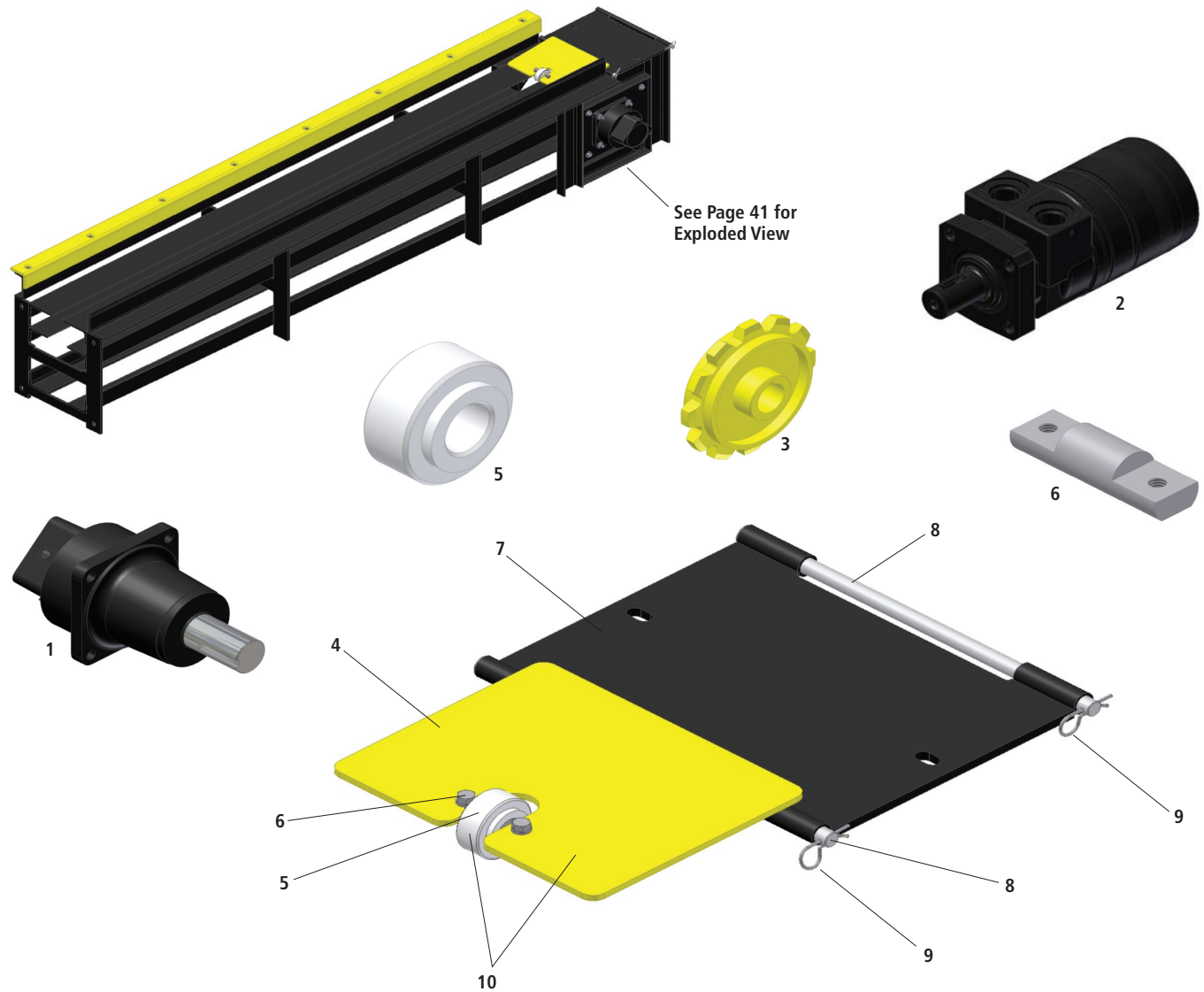


NOTES

DRAWINGS

NOTES

CONVEYOR DRIVE **CONVEYORS**



ITEM	PART NO.	DESCRIPTION
1	320663	RCV Gearbox
2	344598	Hydraulic Drive Motor
3	231415	12 Tooth Sprocket
4	814251	Trap Door
5	814381	Trap Door Roller
6	177881	Trap Door Axle
7	256008	Cover Plate
8	273839	Trap Door Axle
9	339853	Hairpin
10	814823	Trap Door & Roler Assembly
	265777	Complete Trap Door & Cover Rebuild Kit



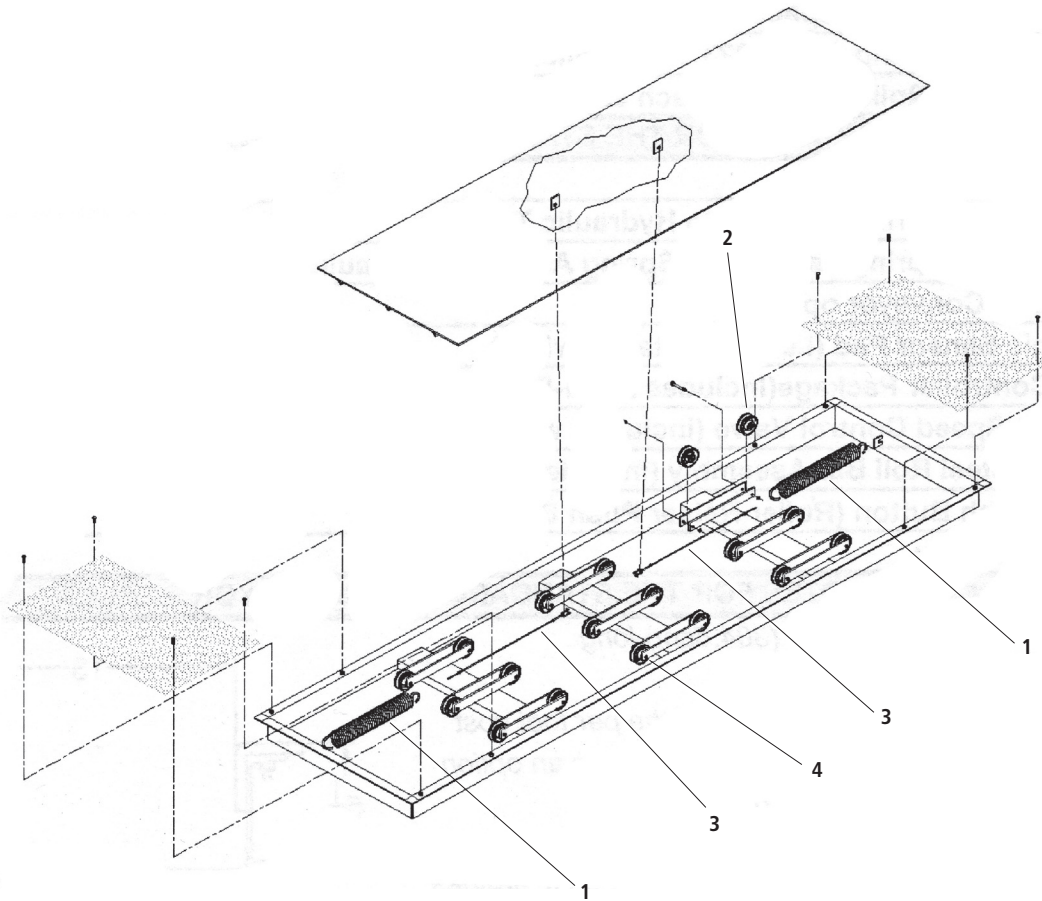
NOTES

DRAWINGS



NOTES

CORRELATOR **CONVEYORS**



ITEM	PART NO.	DESCRIPTION
1	255604	Spring
2	161794	Castor Wheel
3	265967	Cable
4	340737	Shoulder Bolt



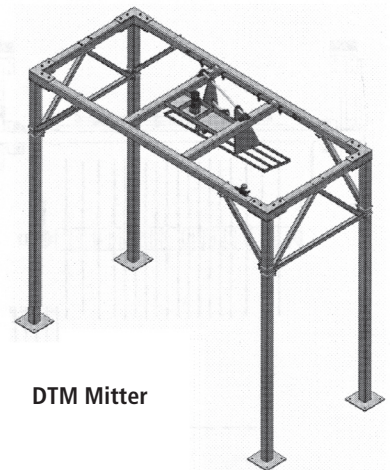
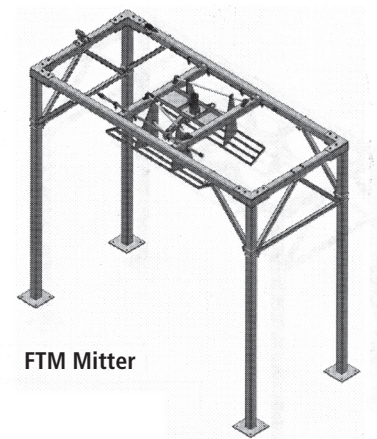
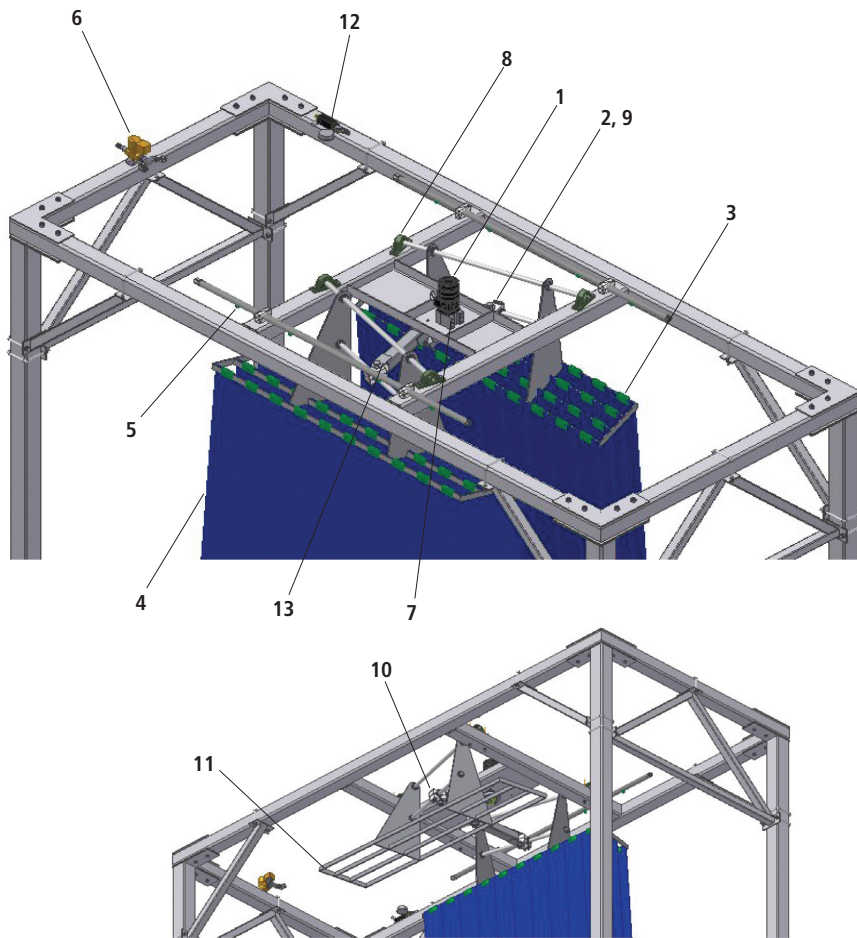
Hanna
A Division of Jim Coleman Co.
5842 West 34th Street, Houston, Texas 77092
Email: hannaparts@jcolemanco.com
www.hannacarwash.com • www.jcolemanco.com

NOTES

DRAWINGS

NOTES

FTM & DTM MITTERS **FREESTANDING BRUSHES**



ITEM	PART NO.	DESCRIPTION
1	367981	Hydraulic Motor
2	800268	Long Crank Arm - FTM
	800369	Short Crank Arm - DTM/HSS
3	805469	Mitter Clip
4	814843	18 X 102 Mitter Curtain
	814844	24 X 102 Mitter Curtain
5	363262	Green Nozzle
6	324764	DEMA Valve
7	367805	Overhung Load Adapter
8	010405	1" Bearing
9	176875	1" Taper Lock Bearing Bushing
10	812355	Rack Bearing UHMW Split
11	812348	Entrance Basket
	812347	Exit Basket
12	197830	PCM 600 Flowcontrol
13	812963	Connecting Arm

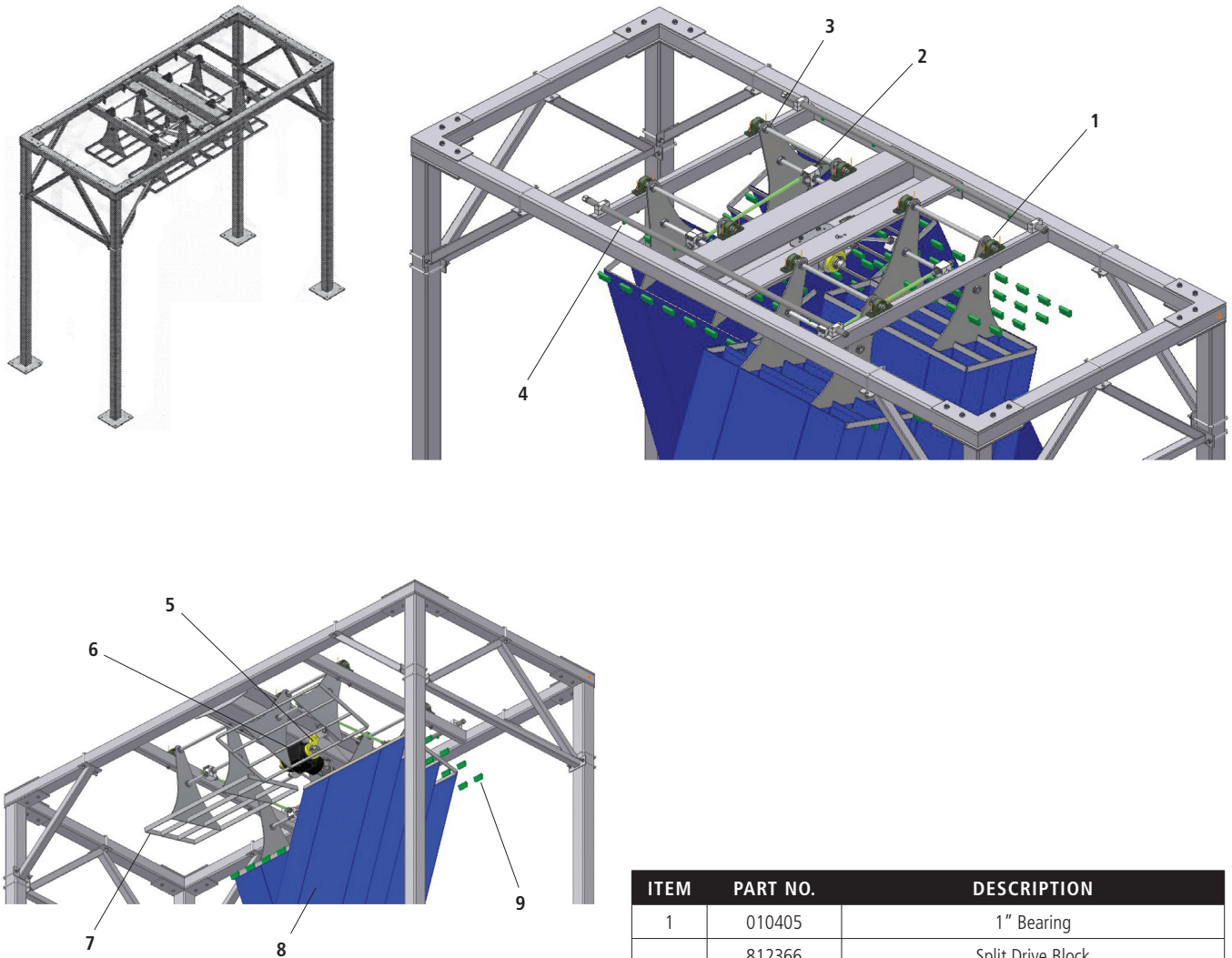


NOTES

DRAWINGS

NOTES

HSS MITTERS **FREESTANDING BRUSHES**



ITEM	PART NO.	DESCRIPTION
1	010405	1" Bearing
2	812366	Split Drive Block
	740381	Solid Drive Block
3	802316	Taper Lock Bushing 1-3/8"
4	363262	Green Nozzle
5	800369	Short Crank Arm - DTM/HSS
6	365456	Hydraulic Drive Gearbox
	366913	Hydraulic Motor
7	812368	HSS Basket
8	814843	18 X 102 Mitter Curtain
	814845	9 X 102 Mitter Curtain
9	805469	Mitter Clip
	324764	DEMA Valve
	368043	Electric Drive Gearbox
	368044	Electric Drive Motor
	740803	20" Drive Rods
	740795	36" Drive Rods

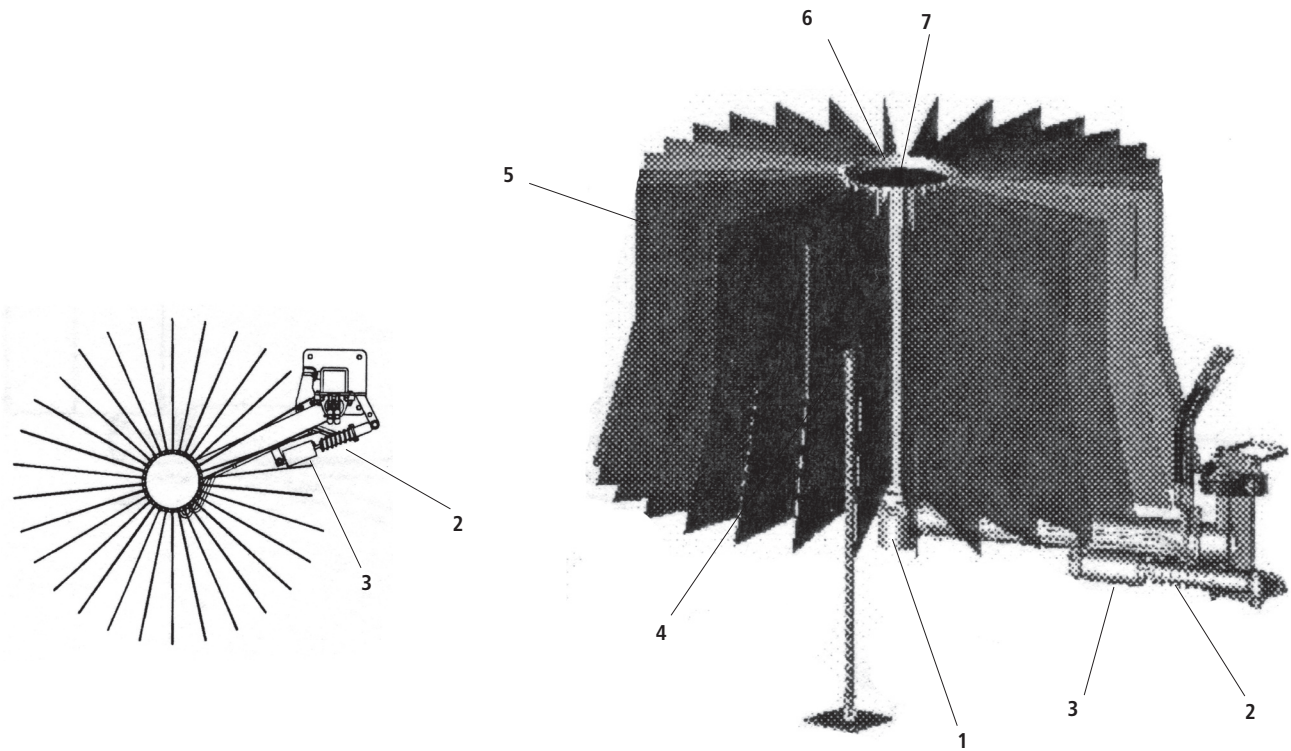


NOTES

DRAWINGS

NOTES

HUB CAP ROCKER PANELS (HCRP) FREESTANDING BRUSHES



ITEM	PART NO.	DESCRIPTION
1	366066	Hydraulic Motor
2	367063	Spring
3	144729	Shock
	810728	Spring & Shock Assembly
4	363262	1/4" Plastic Jet
5	760884	21" Panel Insert
	760892	28" Panel Insert
	760900	35" Panel Insert
6	763003	21" Core
	800151	28" Core
	763037	35" Core
7	766964	Plastic Cover
8	286633	Drive Flange
9	176875	1" Split Taper Bushing
10	010405	1-1/2" Pillow Block Bearing



NOTES

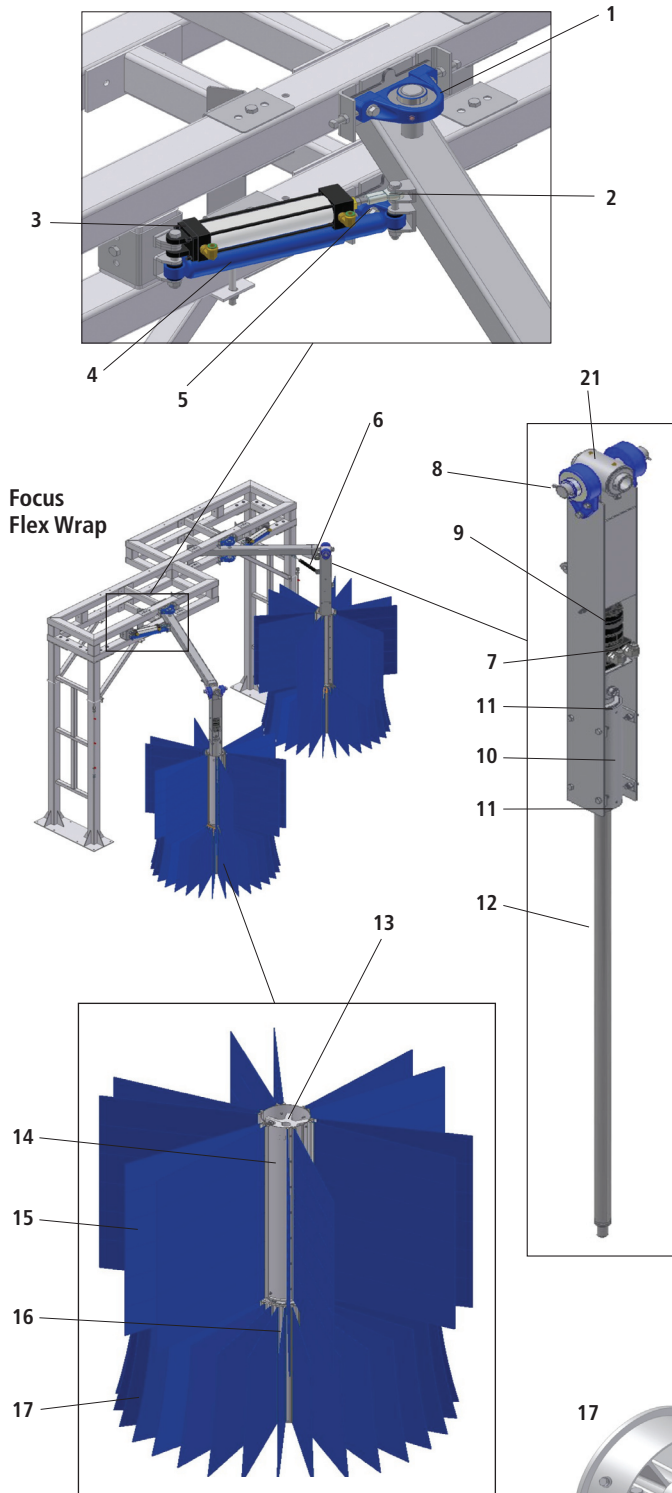
DRAWINGS



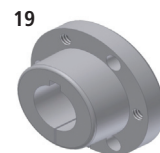
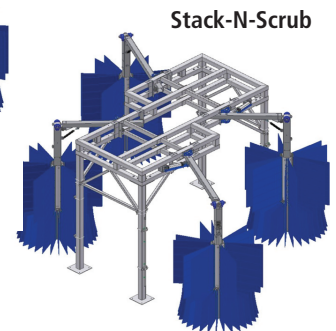
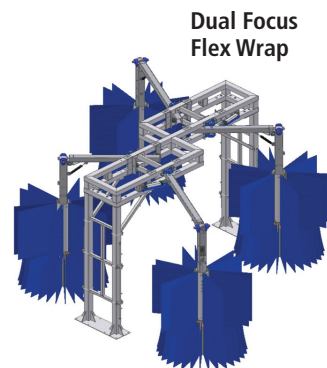
NOTES

FLEX WRAPS

FREESTANDING BRUSHES



ITEM	PART NO.	DESCRIPTION
1	010405	1-1/2" Pillow Block Bearing
2	367094	1/2" Rod End Bearing
3	366897	2 X 10 Cylinder
	366898	2 X 8 Cylinder
4	368105	Gas Charged Shock
5	366991	Rubber Bumper
6	144261	Shock Absorber
7	814023	Drive Collar
8	365104	Cotter Pin
9	366067	Hydraulic Motor
10	814022	Bearing Tube
11	010504	1-1/2" Cartridge Bearing
12	813537	1-1/2" Brush Shaft
13	809604	8" Stabilizer
14	807391	Upper Core
15	813863	Upper Cloth Insert
16	763029	Lower Core
17	760892	Lower Cloth Insert
18	807327	8" Split Flange
19	159459	Flange
20	753723	1-1/2" Taper Block Bearing
21	814011	Gimbal Weldnut





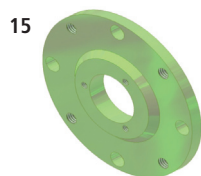
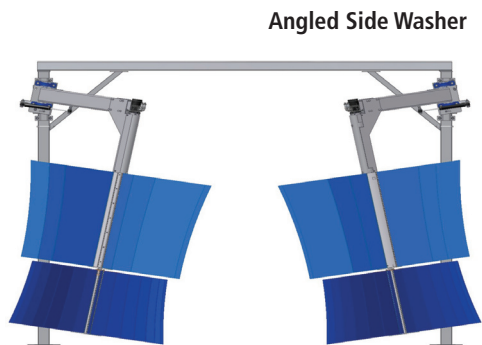
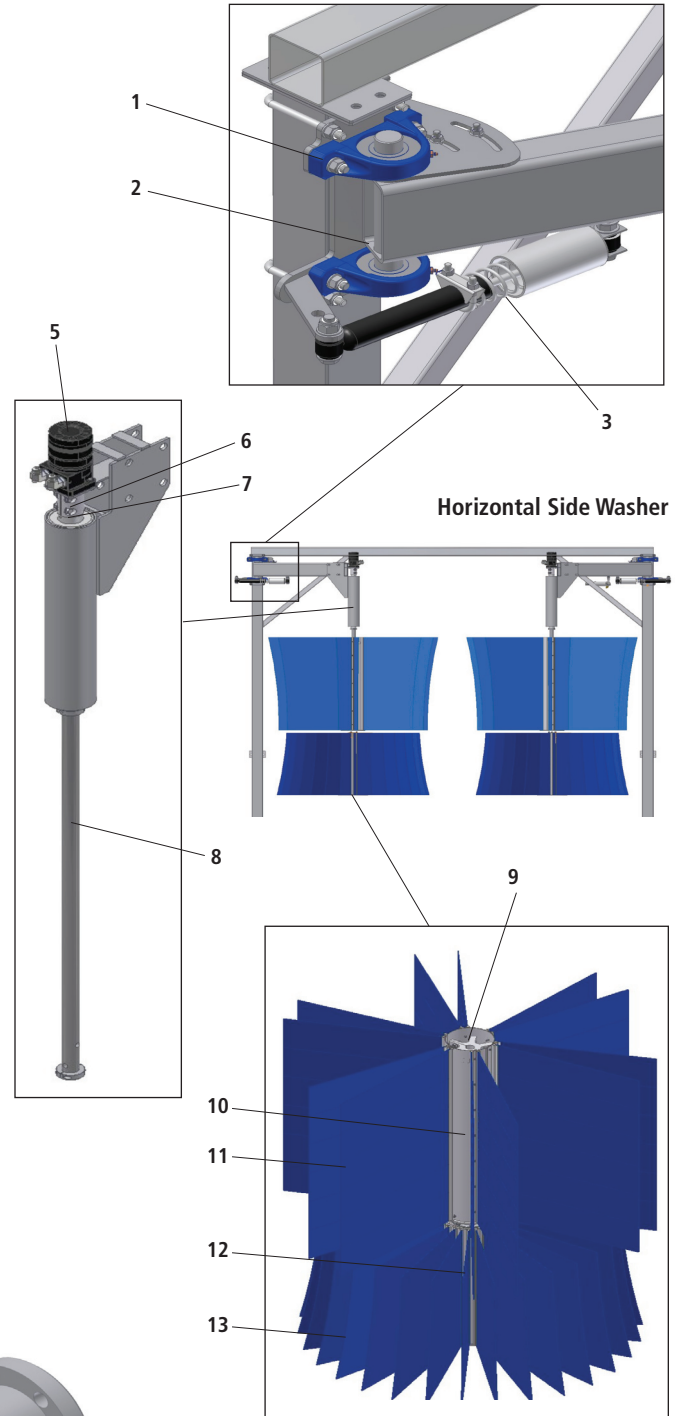
NOTES

DRAWINGS

NOTES

HORIZONTAL & ANGLED SIDE BRUSHES **FREESTANDING BRUSHES**

ITEM	PART NO.	DESCRIPTION
1	010405	1-1/2" Pillow Block Bearing
2	228536	Rubber Stopper
3	144729	Shock Absorber
	367063	HSW Shock Absorber Spring
	810728	Spring & Shock Absorber Assembly
4	363262	1/4" Plastic Jet
5	366067	Hydraulic Motor
6	231753	Split Coupling
7	367929	1-1/2" Cartridge Bearing
8	813537	1-1/2" Brush Shaft
9	809604	8" Stabilizer
10	807391	Upper Core
11	813863	Upper Cloth Insert
12	763029	Lower Core
13	760892	Lower Cloth Insert
14	807327	8" Split Flange
15	159459	Flange
16	753723	1-1/2" Taper Block Bearing





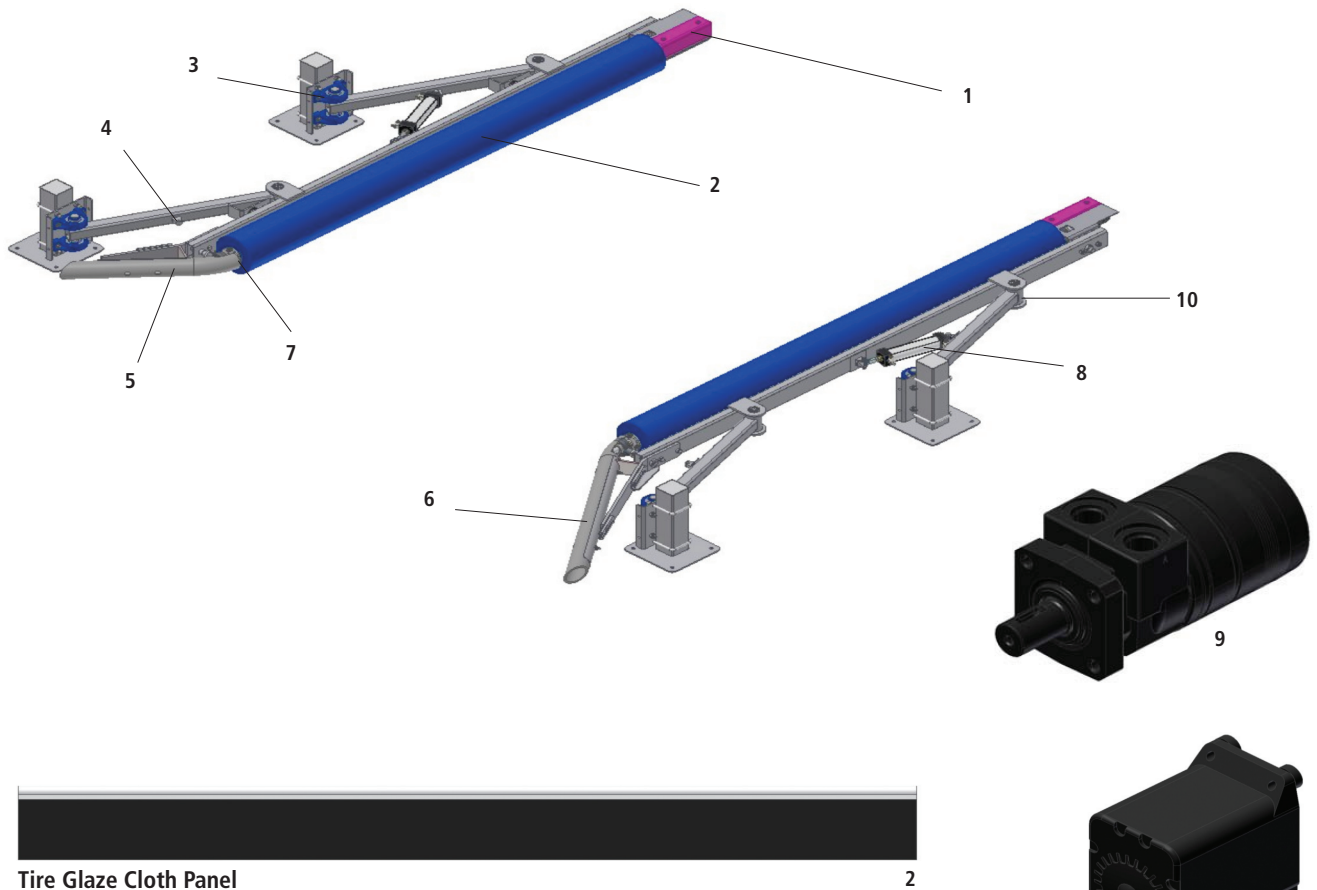
NOTES

DRAWINGS

NOTES

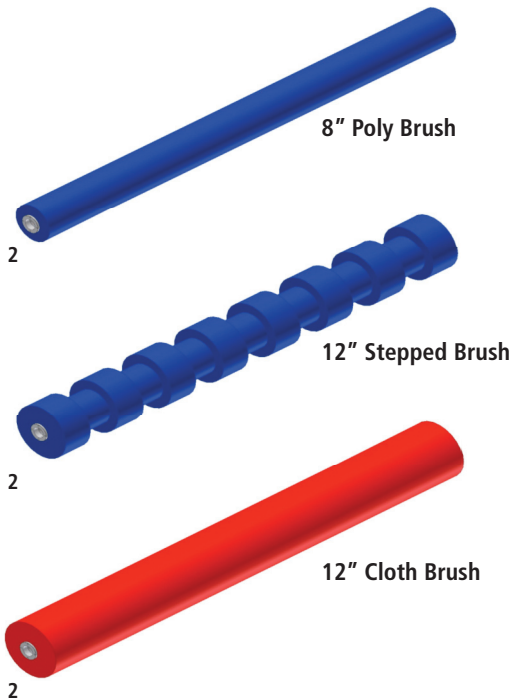
TIRE WASHERS & TIRE GLAZE

FREESTANDING BRUSHES



Tire Glaze Cloth Panel

2



8" Poly Brush

2

12" Stepped Brush

2

12" Cloth Brush

2

ITEM	PART NO.	DESCRIPTION
1	802126	Hannatron Motor Cover
2	813965	Tire Glaze Cloth Panel
	802125	8" Poly Brush
	368324	12" Stepped Brush
	814181	12" Cloth Brush
3	010405	1-1/2" Pillow Block Bearing
4	091363	Rubber Stop
5	802127	Bumper - Passenger's Side
6	802128	Bumper - Driver's Side
7	231753	Split Coupling
8	366898	2 X 8 Cylinder
9	366065	Hydraulic Motor
10	814791	Pivot Arm Bushing
11	363254	Flojet Solution Pump

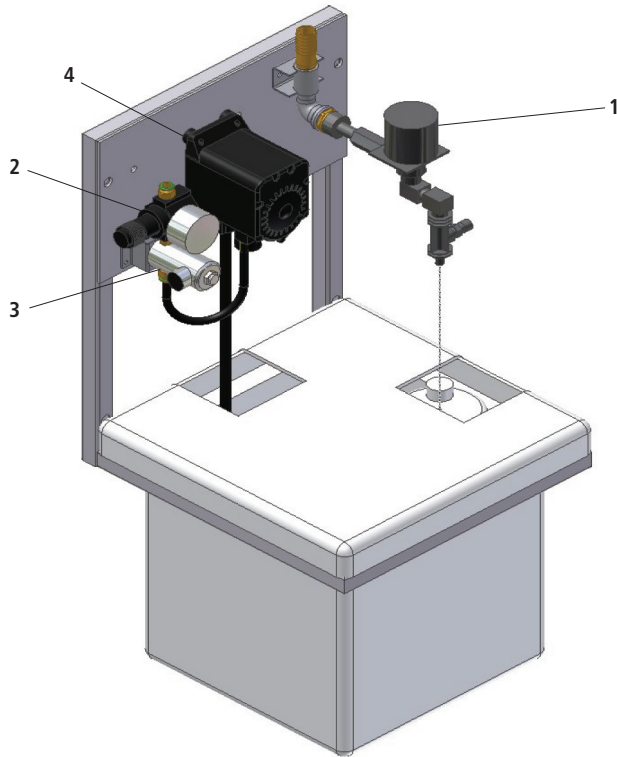
NOTES

DRAWINGS

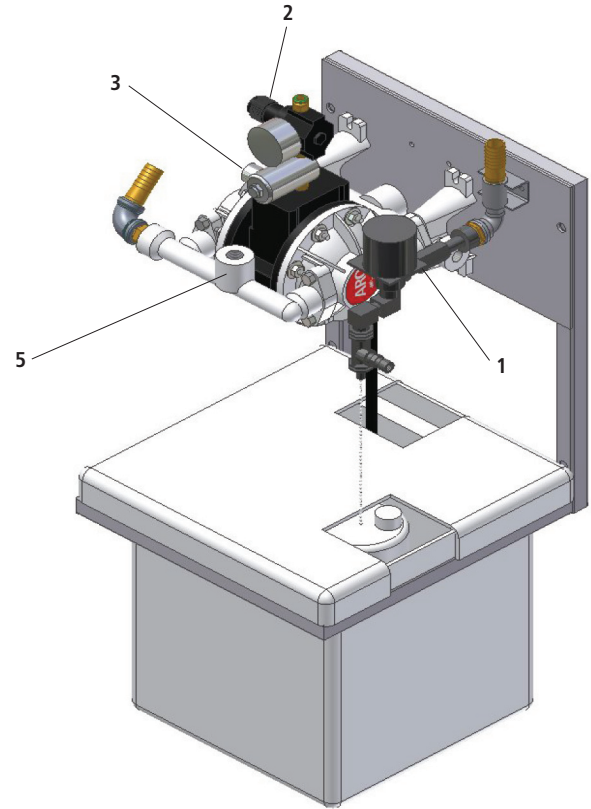
NOTES

SOLUTION PUMPS **HIGH PRESSURE AND VOLUME APPLICATIONS**

FLOJET Solution Pump



ARO Solution Pump



ITEM	PART NO.	DESCRIPTION
1	353813	Hydrominder
2	029413	Regulator
3	H64071	24 VAC Solenoid Valve
4	363254	FLOJET Pump
5	359216	1/2" Diaphragm Pump



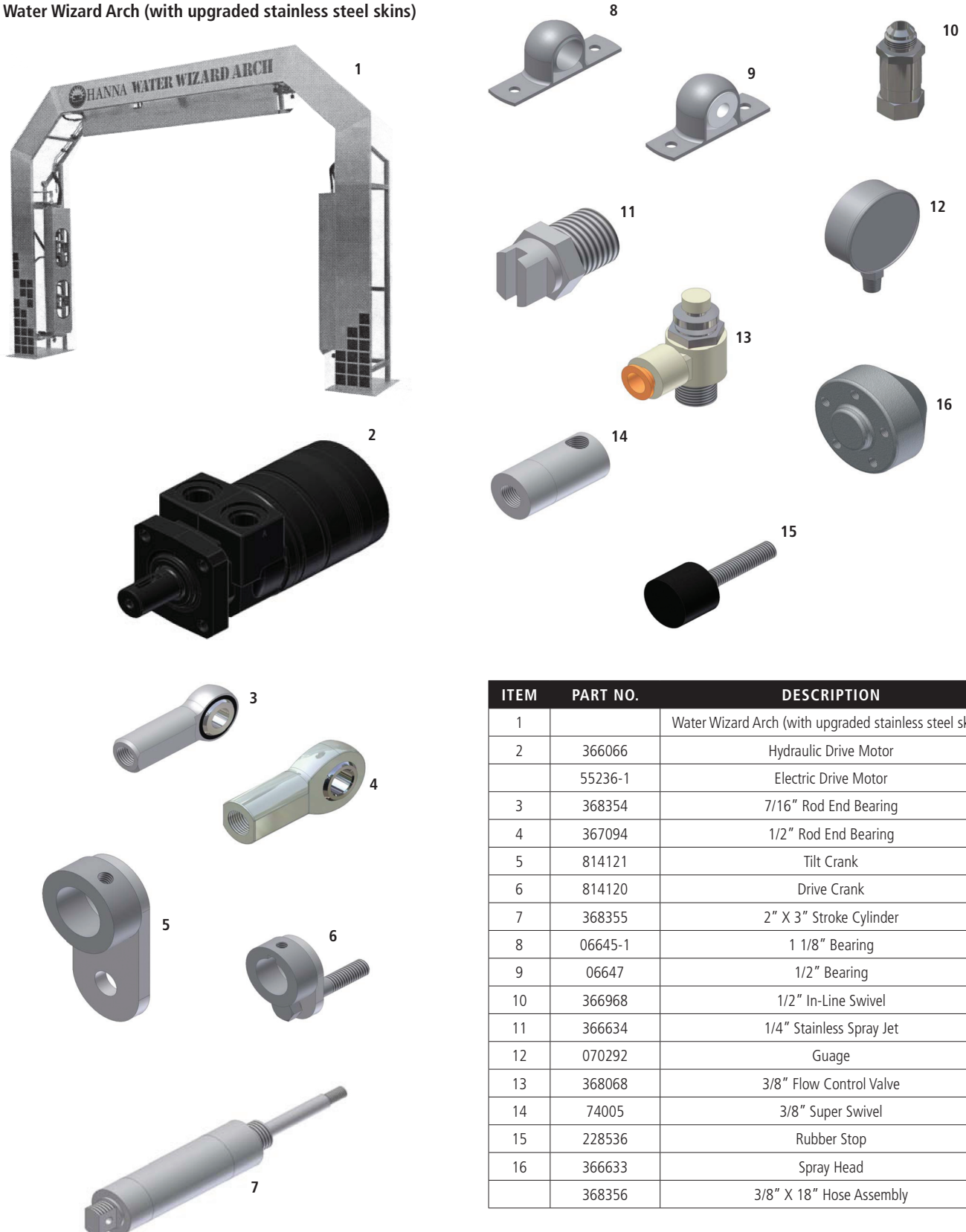
NOTES

DRAWINGS

NOTES

WATER WIZARD & COMBO WIZARD ARCHES HIGH PRESSURE AND VOLUME APPLICATIONS

Water Wizard Arch (with upgraded stainless steel skins)



ITEM	PART NO.	DESCRIPTION
1		Water Wizard Arch (with upgraded stainless steel skins)
2	366066	Hydraulic Drive Motor
	55236-1	Electric Drive Motor
3	368354	7/16" Rod End Bearing
4	367094	1/2" Rod End Bearing
5	814121	Tilt Crank
6	814120	Drive Crank
7	368355	2" X 3" Stroke Cylinder
8	06645-1	1 1/8" Bearing
9	06647	1/2" Bearing
10	366968	1/2" In-Line Swivel
11	366634	1/4" Stainless Spray Jet
12	070292	Gauge
13	368068	3/8" Flow Control Valve
14	74005	3/8" Super Swivel
15	228536	Rubber Stop
16	366633	Spray Head
	368356	3/8" X 18" Hose Assembly

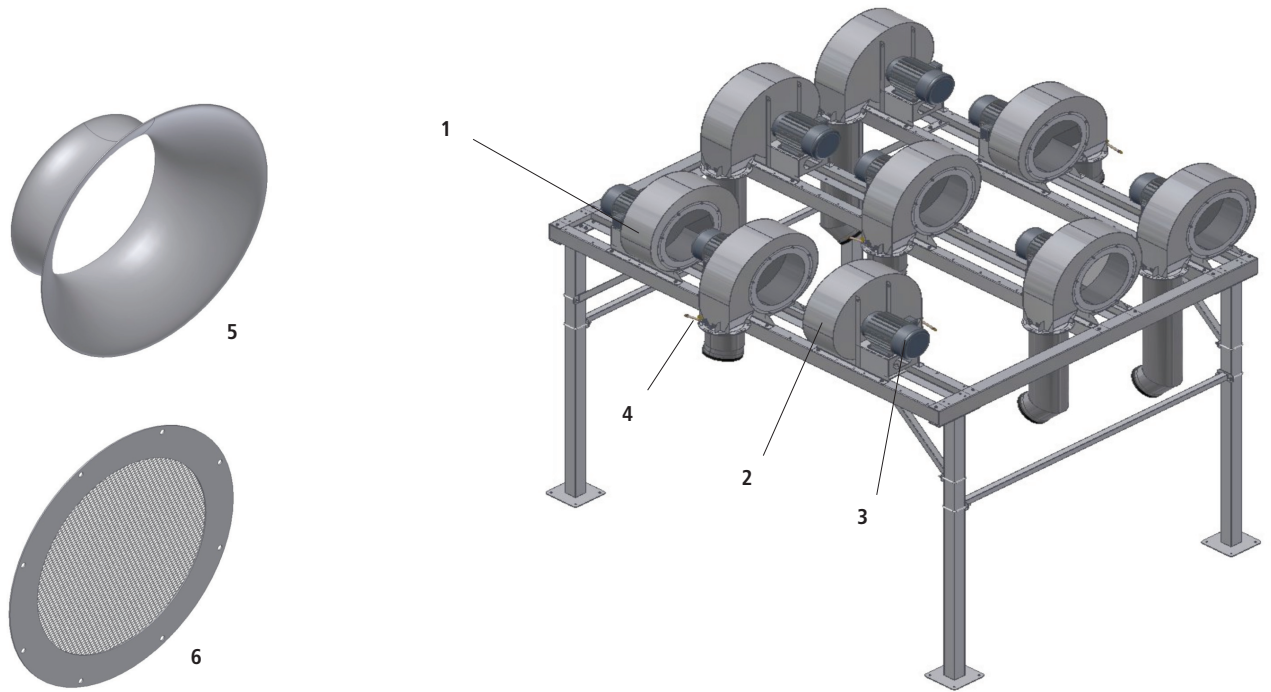


NOTES

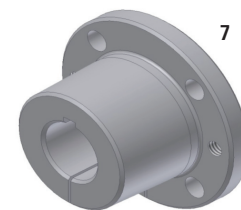
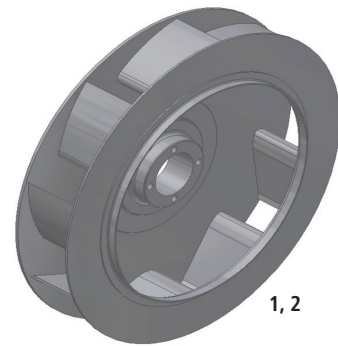
DRAWINGS

NOTES

AIR DRYER **AIR DRYERS**



ITEM	PART NO.	DESCRIPTION
1*	367033	Clockwise Impeller 60 HZ
	367032	Clockwise Impeller 50 HZ
2*	367034	Counter Clockwise Impeller 60 HZ
	367031	Counter Clockwise Impeller 50 HZ
3	365008	15 HP Motor
4	351304	3/4 X 3 Cylinder
5	367036	Inlet Cone 60 HZ
	367035	Inlet Cone 50 HZ
6	813471	Inlet Screen
7	284190	1-3/8" Taper Lock Bushing
* When buying an Impellor a Taper Lock Bushing must be purchased		





AIR DRYERS **AIR DRYER**

DRAWINGS

NOTES

BRUSH CORES & PARTS **PARTS CROSS REFERENCES**

P/N	CORE SIZE	DESCRIPTION	SLOTS	CLOTH	CORE	STABILIZER	HUB	FLANGE	BUSHING	HARDWARE	SIDE WASHER	FLEX WRAP	QUAD WRAP	S-N-S	4-PACK	HCRP-21	HCRP-28	HCRP-35	TIRE GLAZE
807390	8 X 42	BRUSH ASSEMBLY	12	INCL	INCL	INCL	INCL	NO	NO	NO	Y	Y	Y	Y	Y				
807835	10 X 28	BRUSH ASSEMBLY	30	INCL	INCL	n/a	INCL	NO	NO	NO	Y	Y	Y	Y	Y				
761114	10 X 21	BRUSH ASSEMBLY	30	INCL	INCL	n/a	n/a	NO	NO	NO						Y			
800532	10 X 28	BRUSH ASSEMBLY	30	INCL	INCL	n/a	n/a	NO	NO	NO							Y		
761106	10 X 35	BRUSH ASSEMBLY	30	INCL	INCL	n/a	n/a	NO	NO	NO								Y	
813956	4 X 96	BRUSH ASSEMBLY	12	INCL	INCL	n/a	n/a	n/a	n/a	n/a									Y
807391	8 X 42	CORE ONLY	12	NO	INCL	n/a	NO	NO	NO	NO	Y	Y	Y	Y	Y				
763029	10 X 28	CORE ONLY	30	NO	INCL	n/a	NO	NO	NO	NO	Y	Y	Y	Y	Y				
763003	10 X 21	CORE ONLY	30	NO	INCL	n/a	NO	NO	NO	NO						Y			
800151	10 X 28	CORE ONLY	30	NO	INCL	n/a	NO	NO	NO	NO							Y		
763037	10 X 35	CORE ONLY	30	NO	INCL	n/a	NO	NO	NO	NO								Y	
813936	4 X 96	CORE ONLY	12	NO	INCL	n/a	NO	NO	NO	NO									Y
809604	n/a	8" STABILIZER	n/a	n/a	n/a	INCL	n/a	n/a	n/a	INCL	Y	Y	Y	Y	Y				
807327	n/a	8" SPLIT HUB	n/a	n/a	n/a	n/a	INCL	n/a	n/a	INCL	Y	Y	Y	Y	Y				
159459	n/a	FLANGE	n/a	n/a	n/a	n/a	n/a	INCL	NO	NO	Y	Y	Y	Y	Y				
753723	n/a	BUSHING	n/a	n/a	n/a	n/a	n/a	NO	INCL	NO	Y	Y	Y	Y	Y				
231829	n/a	FLANGE & BUSHING KIT	n/a	n/a	n/a	n/a	n/a	INCL	INCL	INCL	Y	Y	Y	Y	Y				
286633	n/a	FLANGE	n/a	n/a	n/a	n/a	n/a	INCL	NO	NO						Y	Y	Y	
176875	n/a	BUSHING	n/a	n/a	n/a	n/a	n/a	NO	INCL	NO						Y	Y	Y	
807464	n/a	FLANGE & BUSHING KIT	n/a	n/a	n/a	n/a	n/a	INCL	INCL	INCL						Y	Y	Y	



NOTES

DRAWINGS

NOTES

BRUSH CLOTH

PARTS CROSS REFERENCES

P/N	DESCRIPTION	OVERALL DIMENSIONS	CORE	CORE SIZE	MAT'L	TOP BRUSH	SIDE WASHER	FLEX WRAP	QUAD WRAP	S-N-S	4-PACK	HCRP-21	HCRP-28	HCRP-35	TIRE GLAZE
						(QUANTITIES SHOWN ARE PER BRUSH)									
813863	42" - UPPER CLOTH PANEL	42 X 24 1/2	UPPER	8 X 42	CLOTH		12	12	12	12	12				
760884	21" - LOWER CLOTH PANEL	21 X 24	LOWER	10 X 21	CLOTH							30			
760892	28" - LOWER CLOTH PANEL	28 X 24	LOWER	10 X 28	CLOTH		30	30	30	30	30		30		
760900	35" - LOWER CLOTH PANEL	35 X 24	LOWER	10 X 35	CLOTH									30	
813965	32" - TIRE GLAZE PANEL	32 X 3	GLAZE	4 X 96	CLOTH										36
368350	7" - UPPER FOAM PANEL	7 X 24 1/2	UPPER	8 X 42	FOAM		72	72	72	72	72				
368352	14" - LOWER FOAM PANEL	14 X 24	LOWER	10 X 28	FOAM		30	30	30	30	30				
368351	7" - LOWER FOAM PANEL	7 X 20	LOWER	10 X 28	FOAM		30	30	30	30	30				
07520	39" - BRUSH SEGMENT	3 X 39	TOP	EXTRUSION	FOAM	17									
07521	43" BRUSH SEGMENT	4 X 43	TOP	EXTRUSION	FOAM	12									



Hanna
A Division of Jim Coleman Co.
5842 West 34th Street, Houston, Texas 77092
Email: hannaparts@jcolemanco.com
www.hannacarwash.com • www.jcolemanco.com

NOTES

DRAWINGS

NOTES

HYDRAULIC MOTORS **PARTS CROSS REFERENCES**

P/N	DESCRIPTION	MOUNTING	PORTS	DISPLACEMENT	RCV	HSS	FTM/DTM	TOP BRUSH	SIDE WASHER	S-20	FLEX WRAP	QUAD WRAP	S-N-S	4-PACK	HCRP	TIRE WASHER	TIRE GLAZE	AUTOREP	WATER WIZARD
344598	MTR HYD CHAR-LYNN	4-BOLT	O-RING	18.7	Y														
366065	MTR HYD PARKER	4-BOLT	O-RING	5.0												Y	Y	Y	
366913	MTR HYD PARKER	2-BOLT	O-RING	8.0		Y													
366066	MTR HYD PARKER	4-BOLT	O-RING	10.0											Y				Y
366067	MTR HYD PARKER	4-BOLT	O-RING	13.9				Y	Y		Y	Y	Y	Y					
367981	MTR HYD PARKER	4-BOLT	O-RING	15.9			Y			Y									

ELECTRIC MOTORS **PARTS CROSS REFERENCES**

P/N	HP	RPM	VOLTAGE/PH/Hz	FRAME	MOUNTING	ENCLOSURE	SERVICE FACTOR	HSS	FTM/DTM	VACUUMS	HIGH PRESSURE PUMPS	HYDRAULIC UNITS	AIR DRYERS
368044	1	1750	230/460/3/60		C-FACE	TENV	1.15	Y	Y				
368031	3	1750	208-460/3/60	182TC	C-FACE	TEFC	1.15					Y	
367578	5	1750	208-460/3/60	184TC	C-FACE	TEFC	1.15					Y	
367582	7-1/2	1750	208-460/3/60	213TC	C-FACE	TEFC	1.15					Y	
367586	10	1750	208-460/3/60	215TC	C-FACE	TEFC	1.15					Y	
368116	10	3550	208-460/3/60	215T	FOOT	TEFC	1.15			Y			
365008	15	3550	208-460/3/60	215T	FOOT	TEFC	1.15			Y			
365008	15	3550	208-460/3/60	215T	FOOT	TEFC	1.15						Y
367589	15	1750	208-460/3/60	254T	FOOT	TEFC	1.15				Y		
367590	15	1750	208-460/3/60	254TC	C-FACE	TEFC	1.15					Y	
366147	20	3550	208-460/3/60	254T	FOOT	TEFC	1.15			Y			
367597	20	1750	208-460/3/60	256TC	C-FACE	TEFC	1.15					Y	
367601	25	1750	208-460/3/60	284TC	C-FACE	TEFC	1.15					Y	



NOTES

DRAWINGS

NOTES

BALL BEARINGS PARTS CROSS REFERENCES

P/N	DESCRIPTION	SIZE	TYPE	HSS	FTM/DTM	TOP BRUSH	SIDE WASHER	S-20	FLEX WRAP	QUAD WRAP	S-N-S	4-PACK	HCRP	TIRE WASHER	TIRE GLAZE
010405	1" PILLOW BLOCK BEARING	1.000	PILLOW BLOCK	Y	Y			Y							
058040	1-1/4" HANGAR BEARING	1.250	HANGAR											Y	Y
010363	1-1/2" FLANGE BEARING - SQUARE	1.500	SQUARE FLANGE			Y									
010439	1-1/2" PILLOW BLOCK BEARING	1.500	PILLOW BLOCK			Y	Y		Y	Y	Y	Y	Y	Y	Y
010504	ER-24 BEARING	1.500	CARTRIDGE						Y	Y	Y	Y			
367929	1-1/2" CARTRIDGE BEARING	1.500	CARTRIDGE				Y								
368037	1-1/2" 3-HOLE BEARING	1.500	3-HOLE						Y	Y	Y	Y			

NOZZLES PARTS CROSS REFERENCES

P/N	DESCRIPTION	JET COLOR	SPRAY ANGLE (DEGREES)	SPRAY PRESSURE (PSI)	FLOW (GPM)	VERSAS ARCH - RINSE	VERSAS ARCH - CHEMICAL	VERSAS ARCH - FOAMER	VERSAS ARCH - SPOT FREE	VERSAS ARCH - FLOOD	IMAGE ARCH - RINSE	IMAGE ARCH - CHEMICAL	IMAGE ARCH - FOAMER	IMAGE ARCH - SPOT FREE	PVA'S	AUTO PREP'S	HSS	FTM/DTM	SIDE WASHER	TOP BRUSH	S-20	FLEX WRAP	QUAD WRAP	S-N-S	4-PACK	HCRP	WATER WIZARD	COMBO WIZARD
318907	JET FLOOD BR 3/8" P-1550	BRASS	15	40	5.0										Y													
363258	JET V NYLON 1/4" 65-06 90A2CM	LIME	65	40	0.6									Y														
363261	JET V NYLON 1/4" 65-10	BLUE	65	40	1.0						Y	Y																
363262	JET V NYLON 1/4" 65-15	GREEN	65	40	1.5						Y						Y	Y	Y	Y	Y	Y	Y	Y	Y	Y		
363371	JET V NYLON 1/4" 65-30	RED	65	40	3.0																							
365619	JET V NYLON 1/4" 40-15	GREEN	40	40	1.5	Y					Y																	
365620	JET V NYLON 1/4" 40-06	LIME	40	40	0.6			Y	Y					Y														
365621	JET V NYLON 1/4" 40-10	BLUE	40	40	1.0		Y				Y	Y																
366092	JET FLOOD BR 1/2" P-1580	BRASS	15	40	8.0										Y													
366634	NOZZLE 1.0 GPM SSI #1/4 MEG-S	STAINLESS	0		1.0																						Y	Y
366673	NOZZLE 1.5 GPM SSI #1/4MEG-003	STAINLESS	0		1.5																							Y
367262	JET V SS 1/8" 15-06	STAINLESS	15		0.6											Y												
367454	JET V SS 1/4" 05-02	STAINLESS	5		1.0											Y												
367455	JET V SS 1/4" 05-04	STAINLESS	5		2.0											Y												
368030	FLAT JET 50-40 1/4 SSI	BRASS	40	40	5.0					Y																		
368106	JET VEE 1/4 SS 4003	STAINLESS	40		1.5																							

NOTES

DRAWINGS

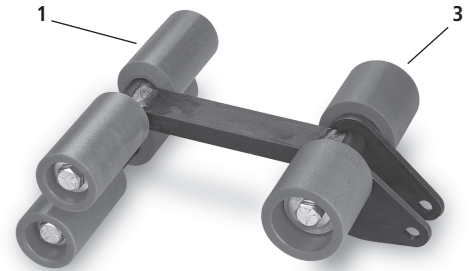
NOTES

RCV PUSHER ASSEMBLY CONVEYOR

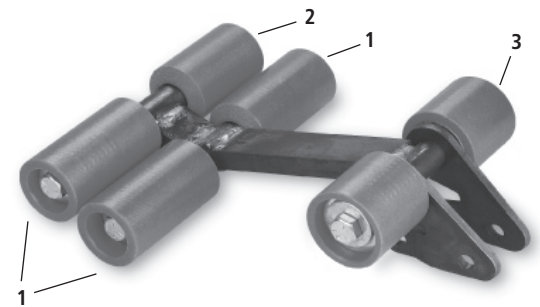
Low profile pushers are designed to ride approximately 1/2" lower than standard pushers. This design eliminates wear on tire brushes. Larger thrust wheels are designed to fit current production HSI pushers.

ITEM	PART #	DESCRIPTION
RCV6 LOW PROFILE PUSHER ASSEMBLIES		
	737122*	C188 side plate, small thrust wheel
	737130*	C188 side plate, large thrust wheel
	737148*	D88K side plate, small thrust wheel
	737155*	D88K side plate, large thrust wheel
	737163*	667XC side plate, small thrust wheel
	737171*	667XC side plate, large thrust wheel
	750372*	D88K M-2 Att. large thrust wheel
	750364*	D88K M-2 Att. small thrust wheel
RCV6 HIGH PROFILE PUSHER ASSEMBLIES		
	717074*	C188 side plate, small thrust wheel 2-1/4" Th
	717082*	C188 side plate, large thrust wheel 2-3/4" Th
	717090*	D88K side plate, small thrust wheel 2-1/4" Th
	717108*	D88K side plate, large thrust wheel 2-3/4" Th
	717116*	667XC side plate, small thrust wheel 2-1/4" Th
	717124*	667XC side plate, large thrust wheel 2-3/4" Th
	717104*	D88K M-2 Att. large thrust wheel
	717033*	D88K M-2 Att. small thrust wheel
PLASTIC PUSHER REPLACEMENT WHEELS		
1	270991*	RCV Pusher wheel 2.25 Diam. X 4.00LG (6-4 Pusher only)
	716985*	RCV Pusher wheel 2.00 Diam. X 4.00LG
3	265827	RCV thrust wheel 2.50 Diam. X 2.75LG
	249151*	RCV thrust wheel 2.25 Diam. X 2.25LG
2	716977*	RCV Pusher wheel 2.00 Diam. X 3.38LG
* CALL FOR AVAILABILITY		

RCV6 Pusher Assembly – Low Profile



RCV6 Pusher Assembly – High Profile





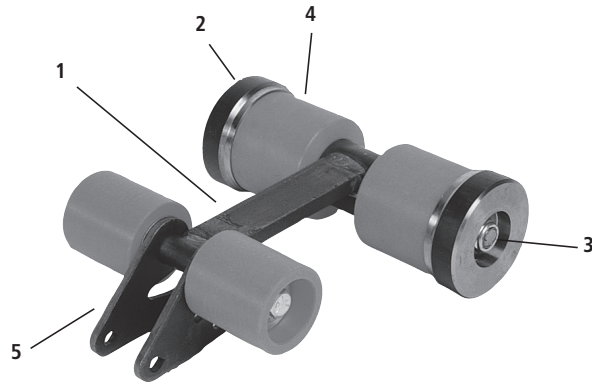
NOTES

DRAWINGS

NOTES

PUSHER ASSEMBLIES – 4 WHEEL **CONVEYOR**

RCV4 Pusher Assembly



RCV-4 Heavy duty 4- Wheel Pusher Assemblies feature construction that facilitates grease retention in order to reduce wear.

ITEM	PART NO.	DESCRIPTION
RCV4 STANDARD 4-WHEEL PUSHER ASSEMBLIES		
	803386*	C188 Side Plates
	803387*	D88K Side Plates
	803388*	667XC Side Plates
	803400*	Log Chain Attachment
2	289850*	Wheel, Outboard - Steel 3-5/8" x 11/16"
3	286476*	Axle, Pusher 5/8" x 9-3/4"
	182303*	Bearing, Ball 5/8" ID
4	291070*	Roller, Inboard - Plastic 3-1/4" x 3-1/8"
RCV4 HEAVY DUTY 4-WHEEL PUSHER ASSEMBLIES		
	803390*	C188 Side Plates
	803391*	D88K Side Plates
	803392*	667XC Side Plates
	803394*	Log Chain Attachment
1	283580*	Pusher Body Weldment
2	146217*	Wheel, Outboard - Steel 3-5/8" x 1-1/2"
3	286476*	Axle, Pusher 5/8" x 9-3/4"
	182303*	Bearing, Ball 5/8" ID
4	144147*	Roller, Inboard - Plastic 3-1/4" x 3"
ATTACHING LINKS FOR BOTH RCV-4 AND RCV-6 PUSHERS		
5	249425*	Link attach for RCV C188, with 7/8 axle
	270660*	Link attach for RCV D88K, left hand
	270652*	Link attach for RCV D88K, right hand
	270686*	Link attach for RCV 667XC, left hand
	270678*	Link attach for RCV 667XC, right hand
* CALL FOR AVAILABILITY		

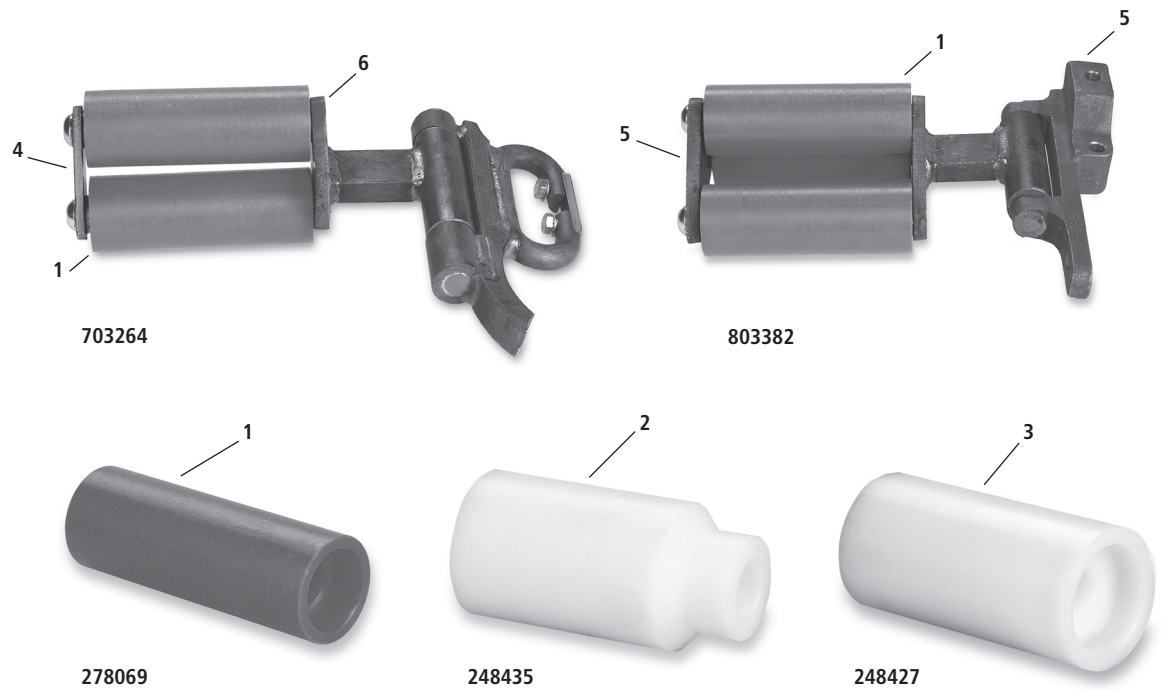


NOTES

DRAWINGS

NOTES

SURFACE CONVEYOR ITEMS **CONVEYOR**



ITEM	PART NO.	DESCRIPTION
H-HSC LOG CHAIN PUSHER ASSEMBLIES		
	703272*	HHSC 3-Wheel Roller for Log Chain
	703264*	HHSC 2-Wheel Roller for Log Chain
H-HSC 2-WHEEL PUSHER ASSEMBLIES		
	803383*	D88K Chain
	803384*	667XC Chain
	803385*	BRH188 Chain
H-HSC 3-WHEEL PUSHER ASSEMBLIES		
	803380*	D88K Chain
	803381*	667XC Chain
	803382*	BRH188 Chain
REPLACEMENT WHEELS		
1	278069*	HSC Pusher 2 or 3-Wheel 2.00 Diam. x 5.75 (current production)
2	248435*	HSC Pusher 2-Wheel 2.75 Diam. X 5.47 bottle neck (old production)
3	248427*	HSC Pusher 2-Wheel 3.00 Diam. x 6.22 (old production)
4	280453*	End Plate - Outboard, Pusher Assembly 2-Wheel
5	278077*	End Plate - Outboard, Pusher Assembly 3-wheel
6	017442*	Capscrew - 1/2 - 13 UNC x 1" Long
* CALL FOR AVAILABILITY		



Hanna
A Division of Jim Coleman Co.
5842 West 34th Street, Houston, Texas 77092
Email: hannaparts@jcolemanco.com
www.hannacarwash.com • www.jcolemanco.com

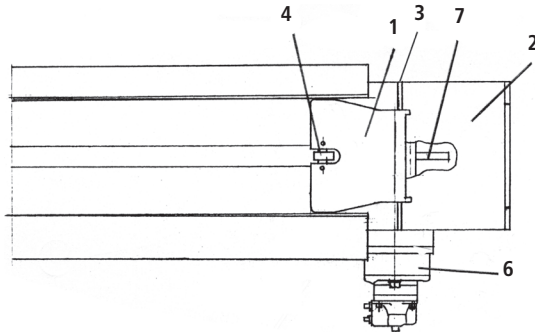
NOTES

DRAWINGS

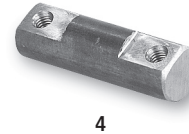
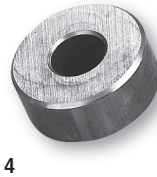
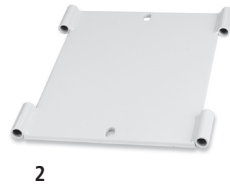
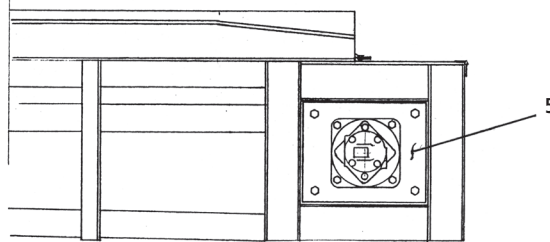
NOTES

RCV CONVEYOR DRIVE ASSEMBLY **CONVEYOR**

Top View



Side View



ITEM	PART NO.	DESCRIPTION
RCV CONVEYOR DRIVE ASSEMBLY		
1	170175*	Exit Trap Door (old style)
	255992*	Exit Trap Door (previous production)
	723288*	Exit Trap Door (use 814251)
2	256008	Exit Cover Plate with hinge
3	273839	Trap Door Axle 15.75"
	339853	Hair Pin Clip 1/8"
4	177873*	Trap Door Roller 1 x 2-1/2" (use 814381)
	177881	Trap Door Roller Axle 1 x 3-1/4"
5	231696	RCV Motor Mounting Plate
	314989*	Motor and Gearbox - HECO 16CF with Sun Gear Assembly
6	329003	Sun Gear 16-E
	320663	Heco CF 161-05-3
	315796*	Char-Lynn 1034
7	231415	RCV Drive Sprocket 12T 2-1/4" Bore (current production)
	269910*	RCV Drive Sprocket 14T 2-1/4" Bore
	231423*	RCV Drive Sprocket 12T 2-7/16" Bore (old style)
	275297*	RCV Drive Sprocket 14T 1-1/2" Bore (old style)
	269860*	RCV Drive Sprocket 14T 2-7/16" Bore (old style)
	275495*	RCV Drive Sprocket 12T 1-1/2" Bore (old style)
* CALL FOR AVAILABILITY		



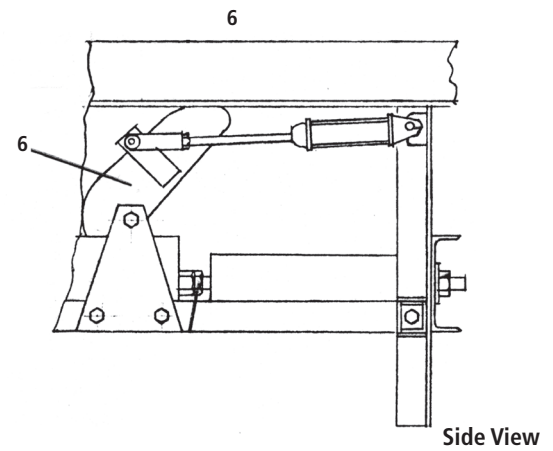
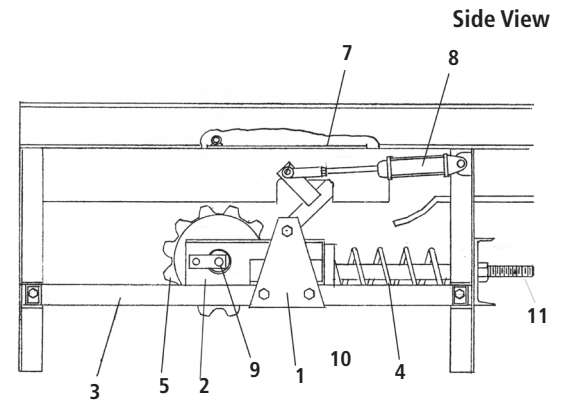
NOTES

DRAWINGS



NOTES

RCV CONVEYOR TAKE UP ASSEMBLY **CONVEYOR**



170159

ITEM	PART NO.	DESCRIPTION
RCV CONVEYOR TAKE UP ASSEMBLY		
1	254276	RCV Fork Bushing Plate
	253427	RCV Fork Bushing
	756091	RCV Fork Plate & Bushing Assembly Plate
2	254268	RCV Take-Up Slide (current production)
	148205	Slide Pad 1/8 x 2 x 2
3	806141	RCV Slide Rail
4	055269	RCV Take-Up Spring 6" x 18"
5	253393	Take-Up Drum Thrust Bushing
	253394	Take-Up Drum Washer
	253419*	RCV Conveyor Take Up Drum (bushing style)
	756056	Take Up Sprocket with Bushing (12 Tooth)
	756049*	Take Up Sprocket with Bushing (14 Tooth)
6	720276	RCV Roller Fork Bushing Style Curved
7	170159	Entrance Trap Door
	170167	Entrance Trap Door Hinge
	164129	Trap Door Axle 5/8" x 12"
	805827	Entrance Trap Door Wire
8	341875	Cylinder
	718163	Cylinder Clevis 1-1/2"
9	253435	RCV Take-Up Shaft
10	720417	Spring Retainer
11	801133	1" x 24" All Tread Rod
* CALL FOR AVAILABILITY		



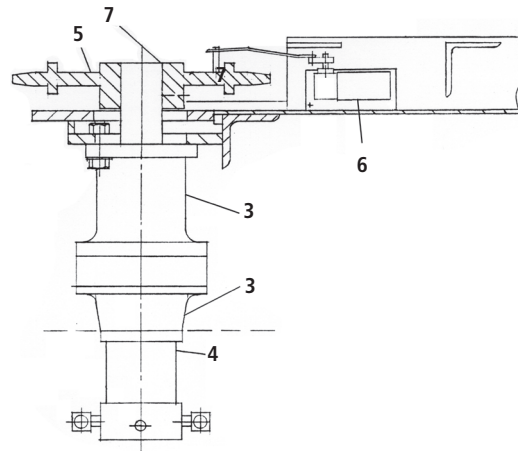
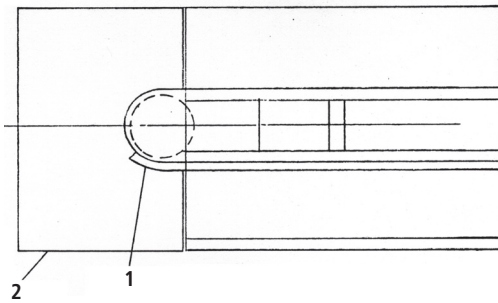
NOTES

DRAWINGS

NOTES

H-HSC CONVEYOR DRIVE ASSEMBLY

CONVEYOR



294173

ITEM	PART NO.	DESCRIPTION
H-HSC CONVEYOR DRIVE ASSEMBLY		
1	292771*	Sprocket Cover
2	292755*	Drive Cover
3	320713*	HECO Gear Box - 16FF - 105-2-3
	315275*	HECO Gear Box & Motor Combination
	329003*	Sun Gear 16-E
4	315796*	Hydraulic Motor-Char-Lynn 2000-12.2" 106-1034-006
5	294173*	HHSC Drive Sprocket 5T 2-1/4" Bore (log chain)
	275495*†	HSC Drive Sprocket 12T 1-1/2" Bore
	231415*†	HSC Drive Sprocket 12T 2-1/4" Bore
	269910*†	HSC Drive Sprocket 14T 2-1/4" Bore
	275297*†	HSC Drive Sprocket 14T 1-1/2" Bore
6	171421*	Limit Switch Assembly
	309898*	Wand - 1/8" Diameter Formed
	622488*	Sensor Proximity 24 VAC (G.E. Controller)
	359788*	Sensor Proximity 24 VAC (other Controllers)
8	158436*	Key - 1/2" x 1/2" x 2-7/8" Long
* CALL FOR AVAILABILITY		
† Note: Drive sprockets for HSC type conveyors		



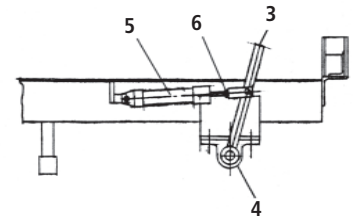
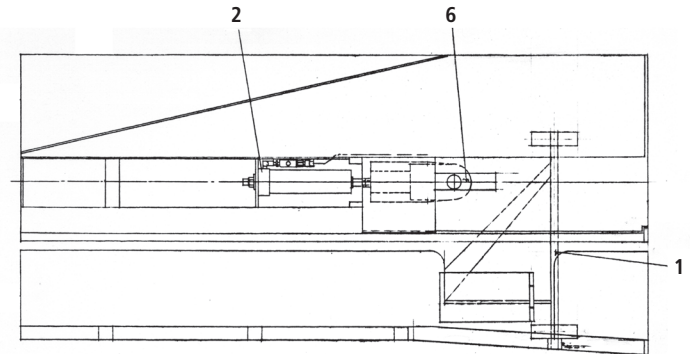
Hanna
A Division of Jim Coleman Co.
5842 West 34th Street, Houston, Texas 77092
Email: hannaparts@jcolemanco.com
www.hannacarwash.com • www.jcolemanco.com

NOTES

DRAWINGS

NOTES

H-HSC CONVEYOR TAKE UP ASSEMBLY **CONVEYOR**



ITEM	PART NO.	DESCRIPTION
1	292714*	Fork Weldment
2	717884*	Take-Up Cylinder Assembly
3	749846*	Lever-Cylinder Attachment
4	055202*	Bearing-Pillow Block 1-3/16" Bore
5	341876*	Cylinder-Fork 1-1/2" Bore x 4-1/2" Stroke
	718163*	Cylinder Clevis 1-1/2"
6	248500*†	HHSC Conveyor Take Up Drum (w/flange)
	292367*	HHSC Conveyor Take Up Drum (log chain)
	750034*	HHSC Take Up Drum (w/bushings)
	167981*	Take Up Shaft
	253393	Take-Up Drum Bushing
	253394	Take-Up Drum Thrust Washer



055202

* CALL FOR AVAILABILITY
 † Note: Non-Log Chain Conveyor

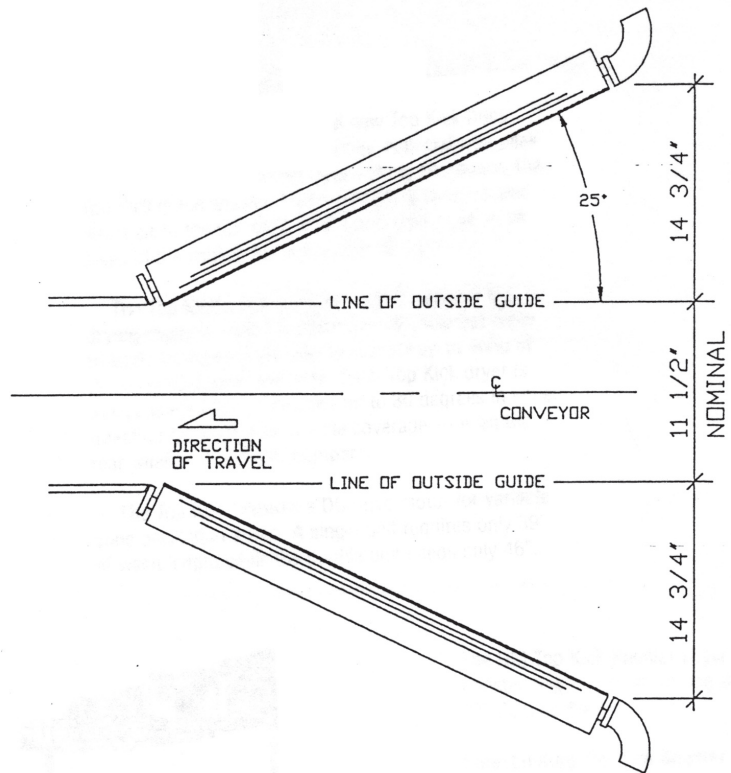


NOTES

DRAWINGS

NOTES

CONVEYOR ROLL-BAR ASSEMBLIES **CONVEYOR**



PART NO.	DESCRIPTION
804169	C3/C4 Roll-Bar Assembly Stainless Steel
804167	Roll-Bar Tube 2-3/8" O.D.
804163	Roll-Bar Bearing
804174	Shaft
804452	Entrance Left Roll Bar Bracket
804453	Entrance Right Roll Bar Bracket



Hanna
A Division of Jim Coleman Co.
5842 West 34th Street, Houston, Texas 77092
Email: hannaparts@jcolemanco.com
www.hannacarwash.com • www.jcolemanco.com

NOTES

DRAWINGS

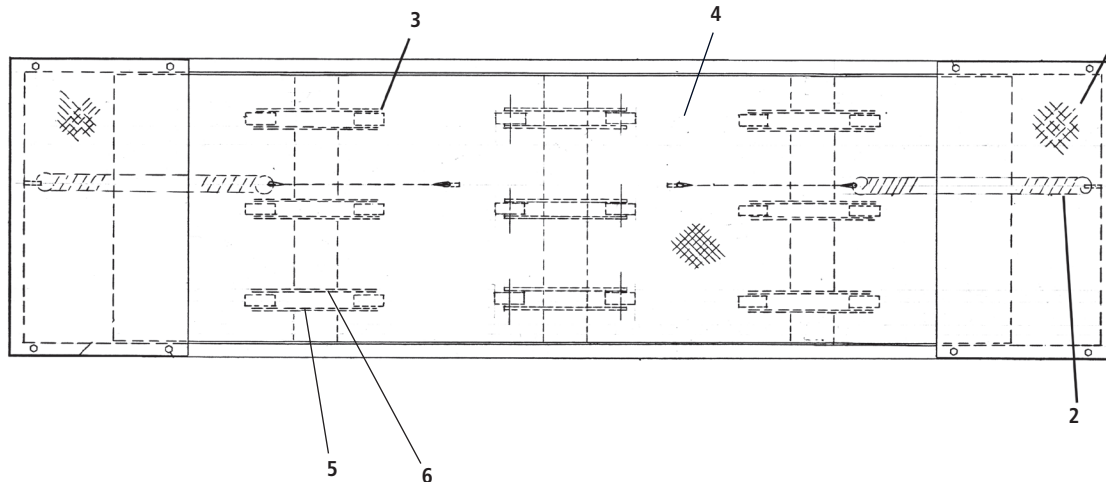
A large, empty rectangular box with a thin black border, intended for technical drawings or illustrations.

NOTES

A series of horizontal lines providing space for handwritten notes.

CORRELATORS **CONVEYOR**

C-3 Correlator



ITEM	PART NO.	DESCRIPTION
C-3 AND C-4 CORRELATORS		
1	279117	C-3 Cover Plate End Correlator
	279158	C-4 Cover Plate End Correlator
2	265968	Correlator Spring Assembly with Cable
	255604	Correlator Spring
3	161794	Correlator Caster with Bushing
	340737	1/2 x 2-1/2 Shoulder Bolt
	040519	3/8" National Coarse ESNA Nut
4	279109	C-3 Top PL 36" x 120"
5	801481	Bracket Caster Punched Hole
6	801482	Bracket Caster Threaded



NOTES

DRAWINGS

A large, empty rectangular box with a thin black border, intended for technical drawings or diagrams.

NOTES

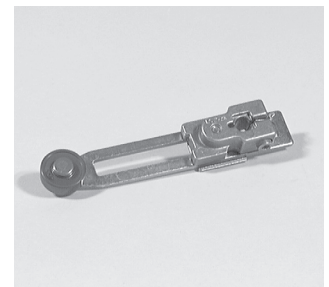
A series of ten horizontal lines spaced evenly down the page, intended for handwritten notes.

LIMIT SWITCHES—MICRO AND SQUARE D CONVEYOR

These Heavy Duty Limit Switches are manufactured for HSI by Micro Switch. They feature a sintered bronze bearing on a stainless steel operating shaft for a long mechanical life and operational reliability. A unique all-metal drivetrain provides consistent operating characteristics even at high temperatures and lasts longer (without the need for frequent adjustment) than switches with plastic parts.

HEAVY DUTY LIMIT SWITCHES—MICRO SWITCHES

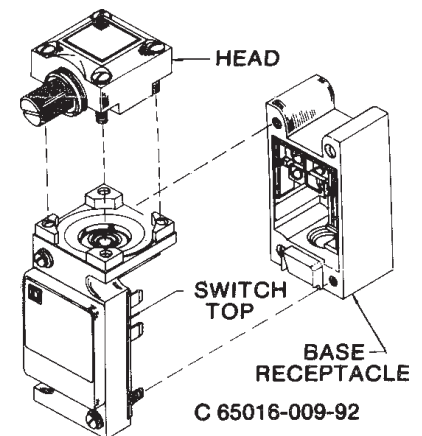
- Boss-and-socket head design for secure head-to-body retention
- Self-lifting pressure plate terminals save wiring time
- Easily identified grounding terminal (inside) for compliance with OSHA and other regulatory agency standards.
- One piece flat gasket seals better than gaskets that go around curves and corners
- Does not contact terminal pins to reduce changes of fluid migration
- Stainless steel corrosion resistant shaft



PART NO.	DESCRIPTION
HEAVY DUTY LIMIT SWITCHES—MICRO SWITCHES	
361045	Switch limit micro switch #LSYAD3K (replaces 338483 Dennison C2JK054)
361046	Wand holder micro switch #LS256 (replaces part #186452)

These Square D Heavy Duty Limit Switches have superior electrical and mechanical qualities. These devices are factory set for clockwise and counter clockwise operation.

PART NO.	DESCRIPTION
SQUARE D HEAVY DUTY LIMIT SWITCHES	
622340	Switch limit model 9007 type C54B2
620757	Wand holder 90° pneumatic (1877)
620758	Wand holder straight (electric valve)
622342	Switch arm lever BA-1
622343	Switch arm lever EA-1
Note: UL approved.	





NOTES

DRAWINGS

NOTES

PROXIMITY MAGNETIC SWITCHES

CONVEYOR



These Proximity and Magnetic Switches are non-mechanical, totally-encapsulated switches used as pulse and actuators for carwash computer controllers.

- Turck Proximity Switches
- Non-metallic housing
- LED function indicator
- DC self-contained
- Metal sensing
- Completely epoxy encapsulated
- Very fast response time (read output only)
- Magnet Activated

PART NO.	DESCRIPTION
326215	Magnetic switch SGA 8182-L10 29 ft. lead
340380*	Proximity switch Micro 972AA3XM-A3
622487*	Proximity switch TURCK-NI-15-S30-AZ3X
359282*	Proximity switch TURCK-NI-35-CP40-FZ3X2
359221*	Proximity switch TURCK-NI-35-CP40-VN4x2
* CALL FOR AVAILABILITY	



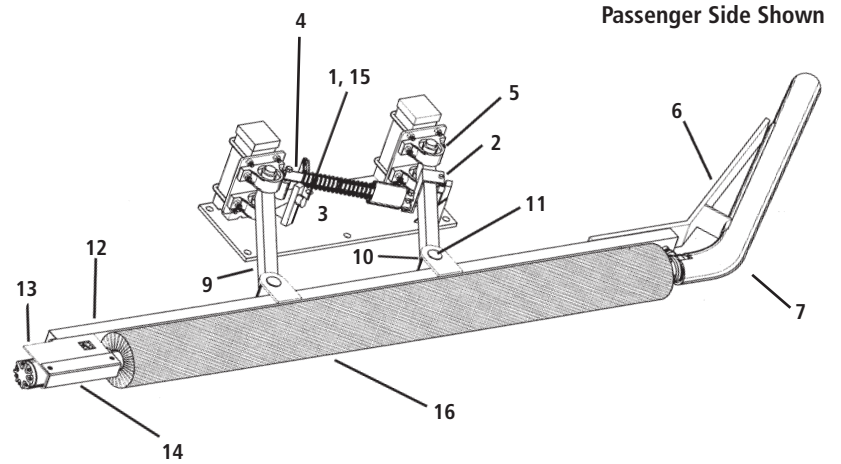
NOTES

DRAWINGS

NOTES

TIRE WASHER TW-96

FREESTANDING BRUSH



ITEM	PART NO.	DESCRIPTION
1	802029*	Spring Assembly
2	802035*	Shock Mount Bracket
3	194688*	Rubber Stop ø 2" x 1-1/4" with Stand
4	802028*	Pivot Arm Mount Plate Weldment
5	010439*	Bearing Pillow Block 1-1/2"
6	802122*	Tire Guide Weldment Passenger Side
	802123*	Tire Guide Weldment Driver Side
7	802128*	PVC Bumper Driver Side
	802127*	PVC Bumper Passenger Side
8	361263*	Cottor Pin 3/16" x 1-1/2"
9	802027*	35" Pivot Arm Passenger Side
	802026*	14" Pivot Arm Driver Side
10	802042*	Pivot Arm Bearing
11	802032*	Brush Bar Pin
12	802030*	Brush Bar Weldment Passenger Side or Driver Side
13	802038*	Motor Cover Driver Side
	802037*	Motor Cover Passenger Side
14	802126*	Motor Cover Bumper
15	277756*	Spring
16	802125*	Brush TW 96" Poly
	247270*	Brush Spindle
	231753*	Split Coupling 1" Aluminum
	802131*	Hydraulic Motor Mount Plate
	317156*	Hydraulic Motor 101-1002
* CALL FOR AVAILABILITY		



Hanna
A Division of Jim Coleman Co.
5842 West 34th Street, Houston, Texas 77092
Email: hannaparts@jcolemanco.com
www.hannacarwash.com • www.jcolemanco.com

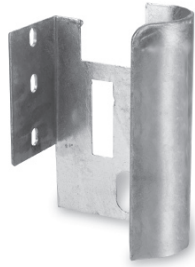
NOTES

DRAWINGS

NOTES

TIRE WASHER TW-2

FREESTANDING BRUSH



732735



732776



058008

PART NO.	DESCRIPTION
244194*	Chemical Jet Assy. Passenger Side
244160*	Chemical Jet Assy. Passenger & Driver Side
732784*	Tire Guide Att. Passenger Side
732776*	Tire Guide Att. Driver Side
732743*	Motor Cover Passenger Side
732735*	Motor Cover Driver Side
720920*	Spindle Shank 2' x 2" Bearing
058024*	Bearing Cup 2" Roller
058008*	Bearing Cone 2" Roller
720904*	Spindle Sleeve
345967*	Washer 2-1/2" O.D. x 3/4" I.D. x 1/4" Thick
010413*	Bearing 1" Ball - SL - 16
228536*	Rubber Stop 1-1/2" x 1-1/2" Lg. W/ 2-1/2" Stud
724179*	Spring
231753*	Split Coupling Assy. 1" Bore
317156*	Char-Lynn 101-1002
* CALL FOR AVAILABILITY	



NOTES

DRAWINGS

NOTES

MISC. TIRE WASHER ITEMS & UPDATES **FREESTANDING BRUSH**



247270



247221

PART NO.	DESCRIPTION
247221*	TW-2 Polypropylene (Blue) 84-1/2" L x 8" Diam.
24722N*	TW-2 Nylon (Black) 84-1/2" L x 8" Diam.
802125*	TW-96 Polypropylene 96"
247270	Tire Wash Brush Spindle
802148*	Retract Kit TW-96
231753	Split Coupling 1" Alum.
317156*	Hydraulic Motor Specs. 101-1002
058040	Rod End Bearing 1-1/4" ø
057531*	TW-2 Bearing Pin
724179*	TW-2Spring
243873*	Spindle Shank Threaded 1-1/4" x 2" Bearing
243824*	Spindle Shank Threaded 2" x 2"
243840*	Spindle Base 8"
253005*	TW Spindle Base Threaded
720912*	TW Spindle Base Non-threaded
* CALL FOR AVAILABILITY	



231753

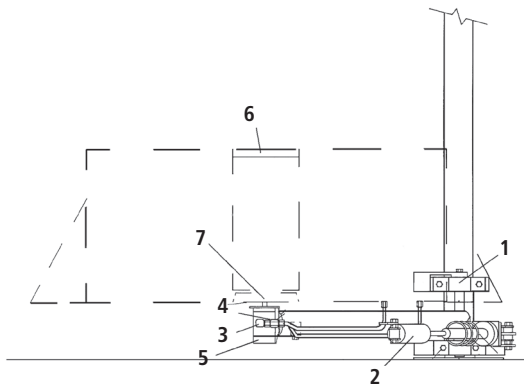
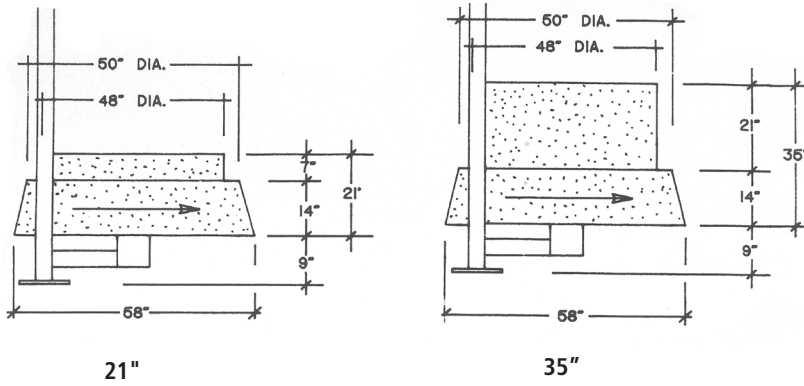


NOTES

DRAWINGS

NOTES

HUBCAP ROCKER PANELS **FREESTANDING BRUSH**



ITEM	PART NO.	DESCRIPTION
1	010439	Pillow Block Bearing 1-1/2"
2	282988*	Spring & Shock Assy.
3	111187*	Ftg. Hydraulic ELL 5435 x 8 x 8
4	014852*	Ftg. Hydraulic ELL 5405 x 8 x 8
5	110247*	Hydraulic Motor 101-1004
6	723007*	Plastic Ring Cover
7	286633*	Drive Flange
	176875*	Taper Lock Bushing 1"
	091363*	Rubber Stop 1-5/8"
	017533*	Cap Screw 5/8" x 2"
* CALL FOR AVAILABILITY		



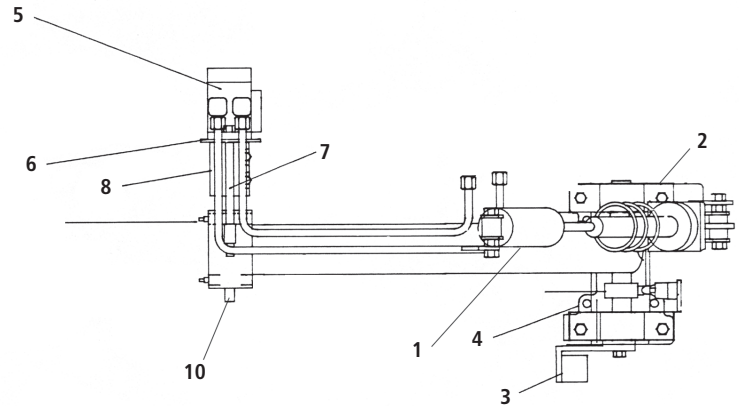
Hanna
A Division of Jim Coleman Co.
5842 West 34th Street, Houston, Texas 77092
Email: hannaparts@jcolemanco.com
www.hannacarwash.com • www.jcolemanco.com

NOTES

DRAWINGS

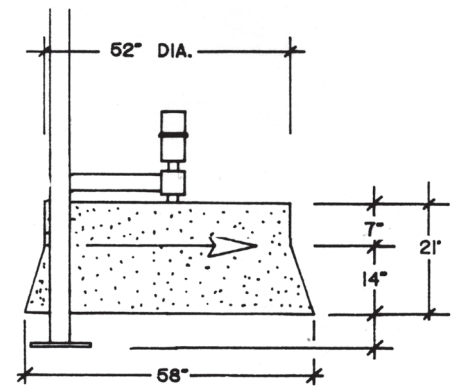
NOTES

SIDE WASHER **FREESTANDING BRUSH**



ITEM	PART NO.	DESCRIPTION
SIDE WASHERS (OLD PRODUCTION)		
1		SW/RP Spring & Shock Assy.
2	010439*	Pillow Block Bearing 1-1/2"
3	733774*	S/W Stop Bracket Passenger Side
3	733766*	S/W Stop Bracket Driver Side
4	248955*	Adjustment Block 1" x 1-3/4" x 1-3/4"
5	110247*	Hydraulic Motor 101-1004
6	227827*	Motor Torque Plate
7	174649*	Torque Rod 1/2" x 10"
8	231753	Motor Coupling Assy. 1"
9	024703*	Retaining Ring N5000-315 (Not Shown)
10	288100*	Drive Spindle
	017533	Cap Screw 5/8" NC x 2"
	091363	Rubber Stop 2" x 1-5/8"
	740803	20"
	740795	36"
* CALL FOR AVAILABILITY		

21" Side Washer



091363

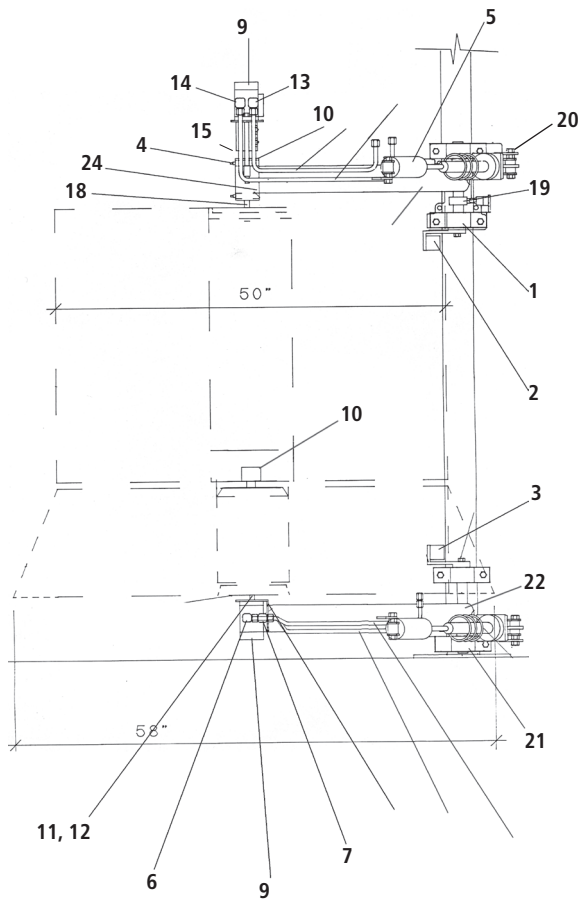


NOTES

DRAWINGS

NOTES

SIDE WINDOW/ROCKER PANEL **FREESTANDING BRUSH**



ITEM	PART NO.	DESCRIPTION
SIDE WINDOW/ROCKER PANEL		
1	010439	Pillow Block Bearing 1-1/2"
2	733766*	S/W Stop Bracket Driver Side
	733774*	S/W Stop Bracket Passenger Side
3	763706*	HC/RP Stop Bracket Driver Side
	763987*	HC/RP Stop Bracket Passenger Side
4	026021	Grease Zerk Straight 3/16" x 1/8"
5	282988	SW/RP Spring & Shock Assy.
6	111187	Ftg. Hydraulic ELL 5435 x 8 x 8
7	014852	Ftg. Hydraulic ELL 5405 x 8 x 8
8	248955*	Adjustment Block 1" x 1-3/4" x 1-3/4"
9	110247*	Hydraulic Motor 101-1004
10	719542*	SW/RP Roller Guide Assy.
11	286633	HC/RP Driver Flange
12	176875	Taper Lock Bushing 1"
13	227827*	Motor Base Plate
14	174649*	Torque Rod 1/2" x 10" Lg.
15	231753	Motor Coupling Assy. 1"
16	010504	Bearing ER-24 1-1/2"
17	024703	Retaining Ring N5000-315
18	288100*	Drive Spindle 11"
19	290973	Cam
20	238113	1/2" x 4" x 6" U Bolt
	800289	S/W Mounting Plate Driver Side
21	800288	S/W Mounting Plate Passenger Side
	759530	HC/RP Arm Weldment
SIDE WINDOW/ROCKER PANEL – OLD PRODUCTION		
Item	Part No.	Description
8	010504	Bearing ER-24 1-1/2"
23	733121	SW/RP Arm Weldment
24	290007	Side Washer Head
* CALL FOR AVAILABILITY		



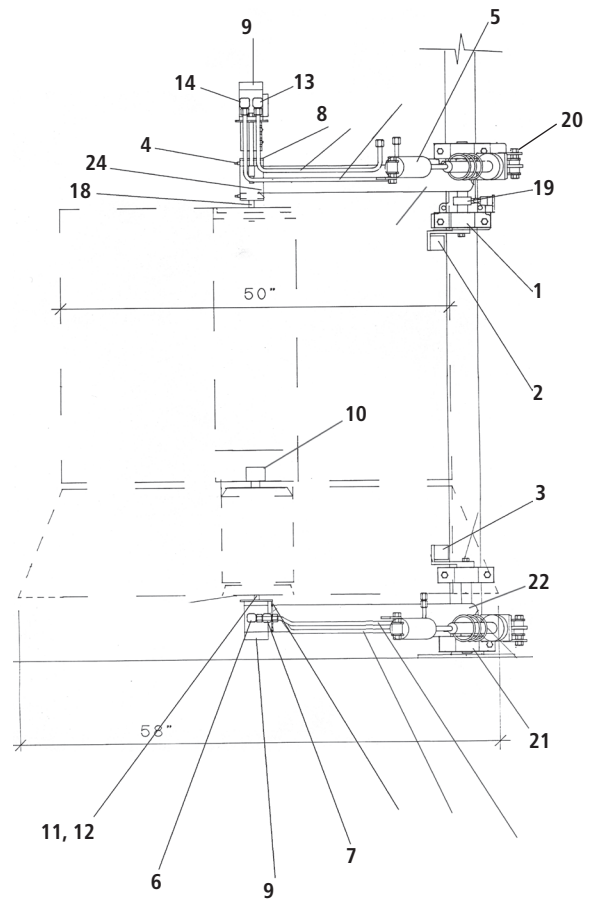
NOTES

DRAWINGS

NOTES

SIDE WINDOW/ROCKER PANEL **FREESTANDING BRUSH**

ITEM	PART NO.	DESCRIPTION
SIDE WINDOW/ROCKER PANEL		
1	010439	Pillow Block Bearing 1-1/2"
2	733766*	S/W Stop Bracket Driver Side
	733774*	S/W Stop Bracket Passenger Side
3	763706*	HC/RP Stop Bracket Driver Side
	763987*	HC/RP Stop Bracket Passenger Side
4	026021	Grease Zerk Straight 3/16" x 1/8"
5	282988	SW/RP Spring & Shock Assy.
6	111187	Ftg. Hydraulic ELL 5435 x 8 x 8
7	014852	Ftg. Hydraulic ELL 5405 x 8 x 8
8	248955*	Adjustment Block 1" x 1-3/4" x 1-3/4"
9	110247*	Hydraulic Motor 101-1004
10	719542*	SW/RP Roller Guide Assy.
11	286633	HC/RP Driver Flange
12	176875	Taper Lock Bushing 1"
13	227827*	Motor Base Plate
14	174649*	Torque Rod 1/2" x 10" Lg.
15	231753	Motor Coupling Assy. 1"
16	010504	Bearing ER-24 1-1/2"
17	024703	Retaining Ring N5000-315
18	288100*	Drive Spindle 11"
19	290973	Cam
20	238113	1/2" x 4" x 6" U Bolt
21	800289	S/W Mounting Plate Driver Side
	800288	S/W Mounting Plate Passenger Side
22	759530	HC/RP Arm Weldment
SIDE WINDOW/ROCKER PANEL – OLD PRODUCTION		
Item	Part No.	Description
8	010504	Bearing ER-24 1-1/2"
23	733121	SW/RP Arm Weldment
24	290007	Side Washer Head
* CALL FOR AVAILABILITY		





NOTES

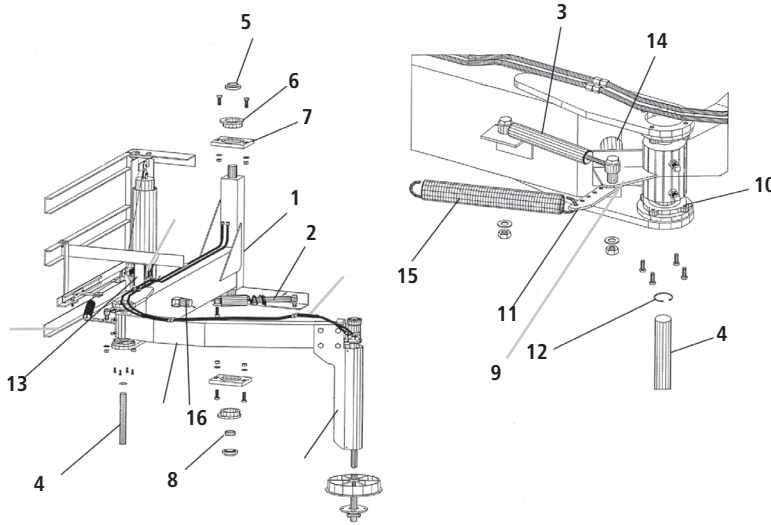
DRAWINGS

NOTES

WRAPAROUND ARM ASSEMBLIES

FREESTANDING BRUSH

Wraparound Model 182 36" Frame



ITEM	PART NO.	DESCRIPTION
1	278846*	Lever Arm Driver Side
2	711150	Overtravel Shock & Spring Assy.
3	144279	Secondary Shock
4	243907*	Knuckle Pin 1-1/2" x 13"
5	319285	Bearing - Primary Arm
6	255620*	Eccentric Bearing Housing
7	255281*	Retainer Plate
8	721449*	Primary Arm Spacer
9	750307*	Spacer Shock W/A
10	119339	Flange Bearing
11	285694*	Lever Bar
12	268904*	Snap Ring 1-7/16"
13	025965	Rubber Stop 3" Lg.
14	194688*	Rubber Stop 1-1/4" Lg.
15	254334	Spring 1-13/16" x 13" Lg.
16	328856*	Rubber Stop 2 x 2-1/4
* CALL FOR AVAILABILITY		



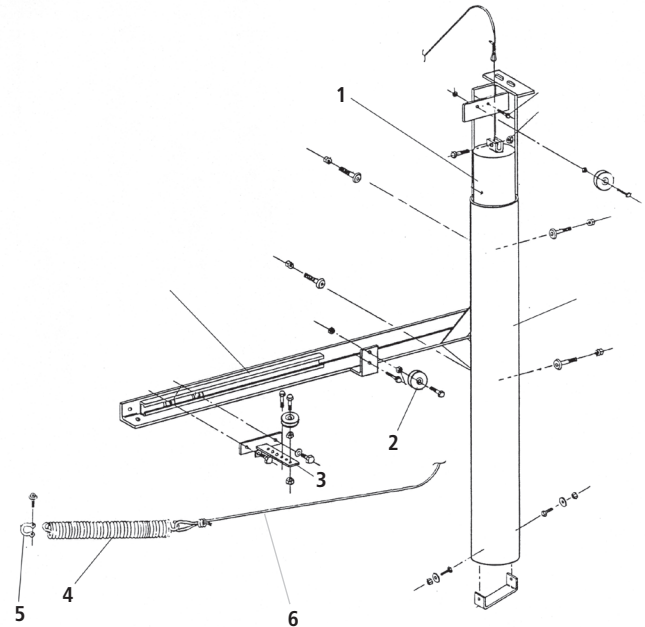
NOTES

DRAWINGS

NOTES

WRAPAROUND ARM ASSEMBLIES **FREESTANDING BRUSH**

Wraparound Counterweight Assembly – 180 or 182 Series 36" Frame



ITEM	PART NO.	DESCRIPTION
3	719666*	Counterweight (3/4 weight, 34.25 lb.) 182-184
5	097170*	Pulley w/Bearing
6	278812*	Sliding Pulley Mount (150 series)
7	254334	Spring 1 13/16" x 13"
8	030155	Clevis 1/4" Chain
9	324244	Wraparound Cord (14' long per arm)
* CALL FOR AVAILABILITY		



Hanna
A Division of Jim Coleman Co.
5842 West 34th Street, Houston, Texas 77092
Email: hannaparts@jcolemanco.com
www.hannacarwash.com • www.jcolemanco.com

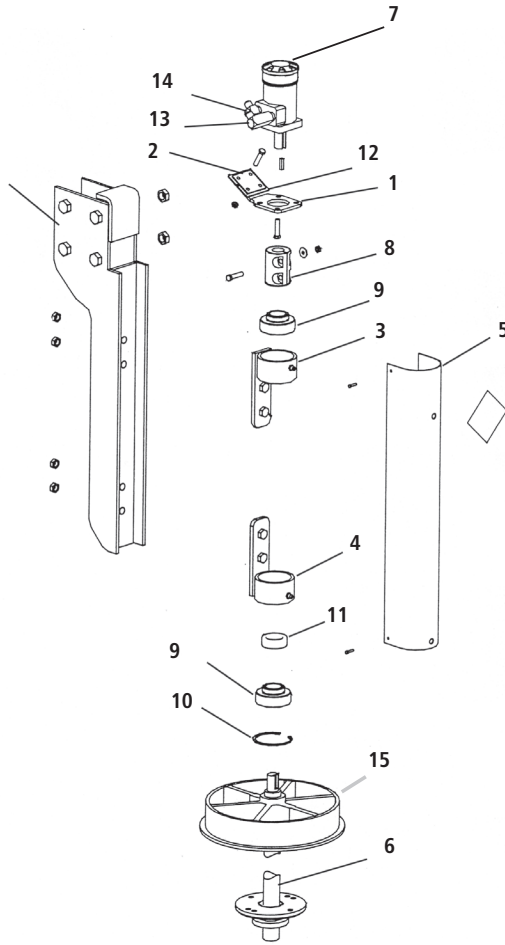
NOTES

DRAWINGS

NOTES

WRAPAROUNDS **FREESTANDING BRUSH**

Tube and Shaft Assembly



ITEM	PART NO.	DESCRIPTION
1	755736*	Motor Base Plate
2	759860*	Rubber Clamp Plate
3	806322*	Bearing Housing Top
4	806321*	Bearing Housing Bottom
5	759878*	Cover, Tube & Shaft
6	813537	Shaft 1-1/2" x 72"
7	322107*	Hydraulic Motor 103-2006-010
8	231753	Coupling 1" w/Hardware
9	010504	Bearing 1-1/2" Diameter
10	024703	Snap Ring
11	019760	Set Collar 1-1/2"
12*	355784	Rubber Pad
13	111187	Ftg. Hydraulic Elbow Long
14	014852	Ftg. Hydraulic Elbow Short
15	763623	12" Split Hub

* CALL FOR AVAILABILITY



Hanna
A Division of Jim Coleman Co.
5842 West 34th Street, Houston, Texas 77092
Email: hannaparts@jcolemanco.com
www.hannacarwash.com • www.jcolemanco.com

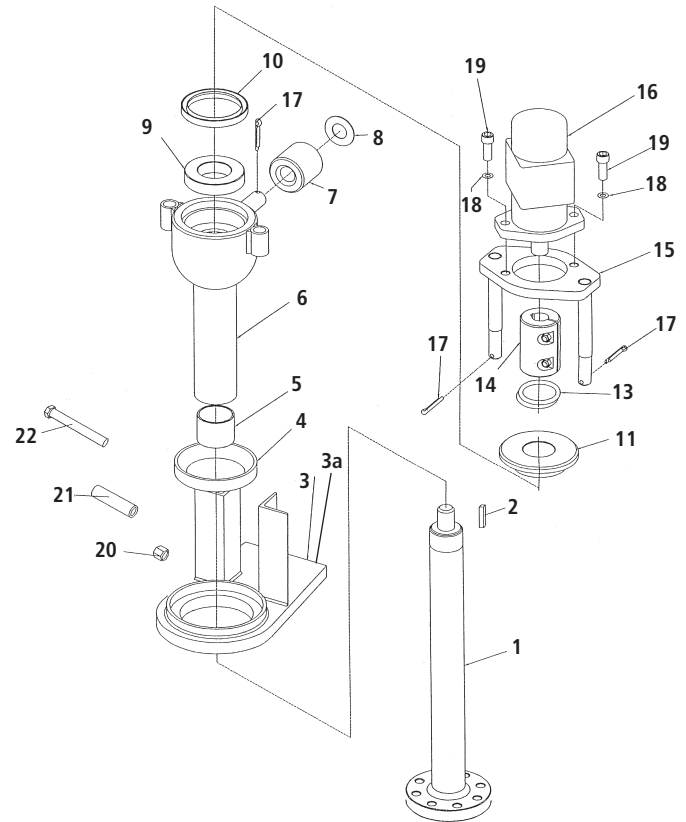
NOTES

DRAWINGS

NOTES

WRAPAROUNDS **FREESTANDING BRUSH**

**Flex Wraps - Drive Unit Assembly - Hydraulic
Contour Flex Wrap**



ITEM	PART NO.	DESCRIPTION
1	803695*	Drive Shaft Weldment
2	072918	Key 1/4 x 1/4 x 1-1/4
3	803686*	Mounting Plate Weldment - Driver Side
3a	804164*	Mounting Plate Weldment - Passenger Side
4	804998*	Socket
5	805012*	Bearing, plastic
6	813221	Ball Housing Weldment
7	805011*	Anti Torque Roller
8	623054*	Washer, SS SAE 1"
9	325233*	Bearing 50 x 90 x 10
10	365088*	Seal 80 x 100 x 10
11	805010*	Bearing Cap
12		
13	805153*	Nut, 50 MM Flex Wrap
14	231753	Coupling 1" Aluminum Split
15	803694*	Motor Mount Plate
16	355370*	Motor 2 Bolt Charlyn 103-2030-010
17	365104	Cotter Pin 1/4 x 1-1/2" SS
18	362805	Washer, Lock Split 3/8
19	622947	CP SCR 3/8 x 1-1/2 NC
20	622710	Nut ESNA 3/8 NC SS
21	804030*	Tube, Spacer SS
22	363433	CP SCR 3/8 x 3" NC SS

* CALL FOR AVAILABILITY

MISC. BRUSH-WASH PACKAGE PARTS

FREESTANDING BRUSH



341270



282988



621796

PART NO.	DESCRIPTION
AIR CYLINDERS	
621796*	3-1/4" x 11" Air Cylinder-Sherman Air Dryer
027755	Air Cyl. 2.00DXPSRY-6.00 with Clevis -T/W Retracts
718163	Clevis 1-1/2" for Aero-quip-Air Cyl 1-1/4" x 4-1/2"
341271*	Clevis 2-1/2" Aero-quip-Air Cyl 2-1/2" x 7"
341876	Cyl Air 1-1/2" x 4-1/2" with Clevis and Pins -Conveyor
341875	Cyl Air 1-1/2" x 4-1/2" without Clevis-Conveyor
351304	Cyl Air 3/4" x .75 DSRV - 3.00-Air Dryer
353516*	Cyl Air 1-1/4" x 3 1.25 DXPSRY-Hanna Air Dryer
311688*	Cyl Air 2" x 6 2.00 DXPSRY - 6.00-T/W Retracts
341270*	Cyl Air 2-1/2" x 7" w/o Clevis-Air Dryer/Robot0
341272*	Cyl Air 2-1/2" x 7" w/ Clevis-Air Dryer/Robot
321174*	Cyl Air D 70" x 9" w/7014 & 7010-Robot
717884*	Cyl Hyd 3-1/4" x 8" Take-up-Conveyor
SHOCKS/ASSEMBLIES AND SPRINGS	
144279	Shock 19053 for R/P
707091	Shock & Spring Assembly HCRP
711150	Shock & Spring Assembly W/A
282988	Shock & Spring Assembly - R/P-SW-SHWW
020867*	W/A Spring 1-9/32" x 10"
254334	W/A Spring 1-13/16" x 13" lg.
020875*	1-1/4" x 14" Spring
361136*	Spring S.S. 3/4" OD x 1/2 ID x 2" lg (TWP)
175299	Passenger Side T/W Spring
175307*	Driver Side T/W Spring
724179*	Spring T/W 1.8" x 7"
724500*	Spring Assembly T/W Update - Driver Side
711168*	W/A Overtravel Spring 2.4" x 8"
277756	R/P Spring 2-1/4" x 15" lg
* CALL FOR AVAILABILITY	



NOTES

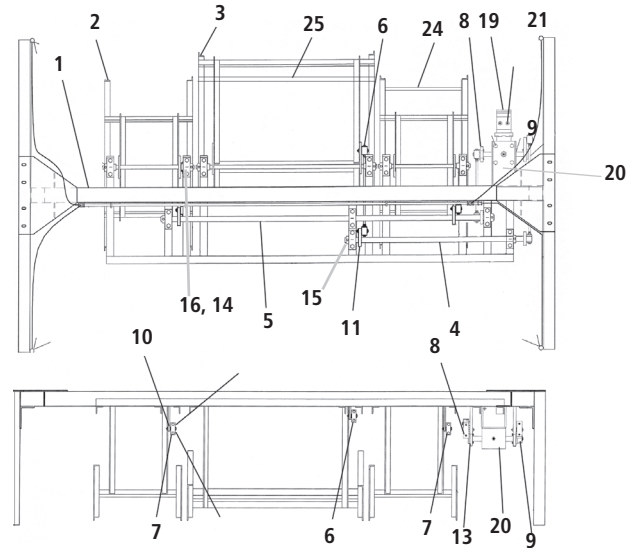
DRAWINGS

NOTES

HDM-3 MITTER

FREESTANDING BRUSH

HDM-3 Mitter

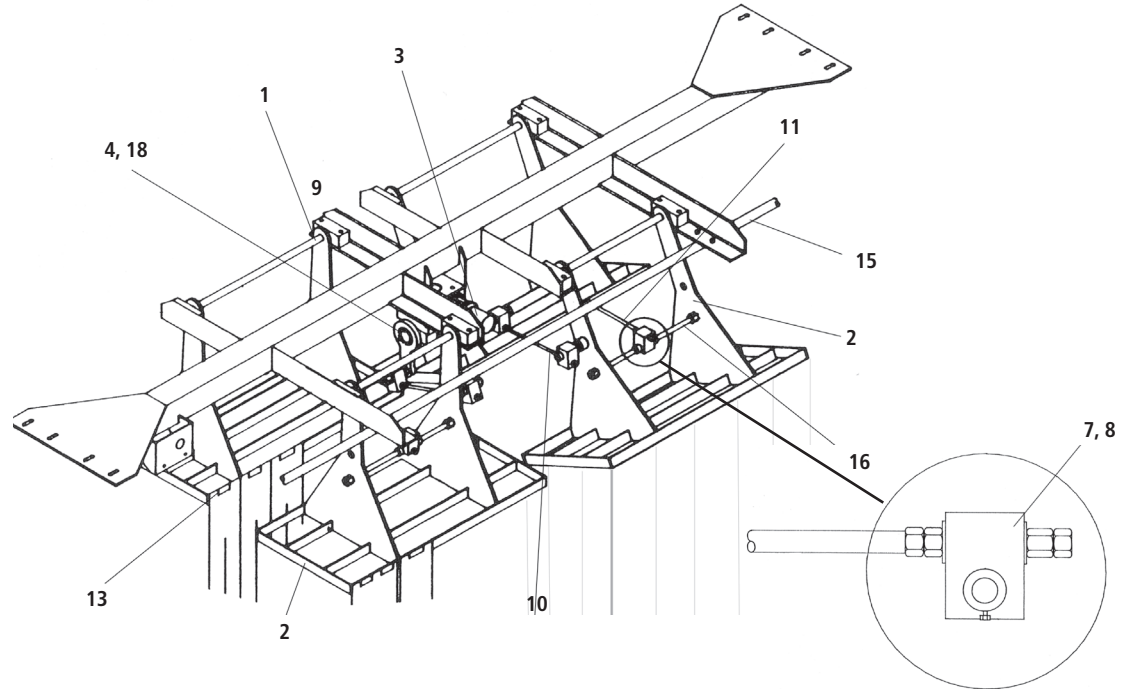


ITEM	PART NO.	DESCRIPTION
2	803877*	Cradle Weldment 24" Stainless Steel
3	803878*	Cradle Weldment 48" Stainless Steel
4	801491*	Jack Shaft 1-1/2" x 53" Lg.
5	801487*	Jack Shaft 1-1/2" x 90-5/8" Lg.
6	803288*	Tie Rod Assembly 20-3/8" Centers
7	803286*	Tie Rod Assembly 14-1/4" Centers
8	803287*	Tie Rod Assembly 19-5/8" Centers
9	803289*	Tie Rod Assembly 22-7/8" Centers
10	626161*	Cap Plate S.S. 1-1/2" x 5-1/4" (32477-02)
11	803247*	Crank Arm (For Jack Shaft) w/Taperlock
13	802314*	Crank arm (For Gear Reducer)
14	626159*	Cradle Sleeve S.S. (12346-01)
15	623143*	1-1/2" Stop Collar S.S. (5824-223)
16	803180*	1-1/2" Bearing (Requires 2-803225 Spacer Rack & Jack Shaft)
	017459*	SCR Hex Cap 1/2" x 1-1/4" NC (Not Shown)
19	355370*	Hydraulic Motor Char-Lynn 103-2030 2-Bolt
20	355362*	Gear Reducer 1 to 1 (Von Ruden)
21	029330*	1/2"NPT x 1/2"FPT Hyd Fitting
	175083*	STL Key 5/16" x 5/16" x 1-1/4"-(Not Shown)
	069674*	STL Key 3/8" x 3/8" x 1-1/2" (Not Shown)
	626151*	Curtain Rod 20-7/8"
	626153*	Curtain Rod 47-7/8"
	803280*	Round Round End Bearings
	803264*	Bushing Round Rod End Bearing
	803181*	Rod End Bearing Insert
* CALL FOR AVAILABILITY		

HSS-2 MITTER

FREESTANDING BRUSH

HSS-2 Mitter 24" and 36" Frames



ITEM	PART NO.	DESCRIPTION
1	759605*	36" Curtain Rack Exit
2	759613*	36" Curtain Rack Entrance
3	355370*	Hydraulic Motor Char-Lynn Model 103-2030-010
4	800369	Crank Arm
7	763201	Rack Spacer UHMW Collar 1" ϕ x 1-1/8" Long
8	740381	Rack Bearing UHMW w/1" Dia.
9	355727	Mount Bearing UHMW Insert 1"
10	740803	Primary Drive Arm 20" Lg. x 3/4" Dia.
11	740795	Secondary Drive Arm 36" Lg. x 3/4" Dia.
13	805469	Attachment Clips
	018648	1/2" JIC to 1/2" NPT Fitting (Not Shown)
15	749937*	Manifold Assembly
16	748749*	Long Rack Tie 1" x 22" Long
	019737	1" Set Collar (Not Shown)
18	802316	1-3/8" Taper Lock Bushing w/5/16" Keyway
	350884	Ftg. Hydraulic Adap. 1/4" x 1/4" O-Ring St
	014852	Ftg. Hydraulic90° El 1/2" x 1/2"
* CALL FOR AVAILABILITY		



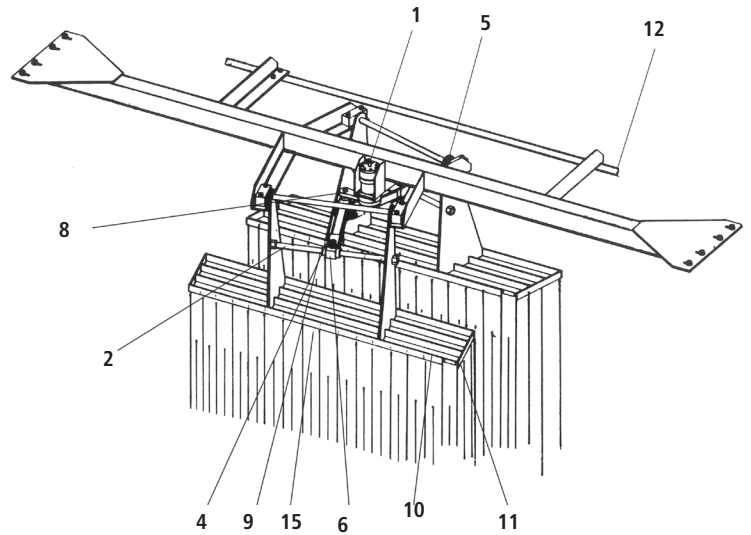
NOTES

DRAWINGS

NOTES

FINISHING TOUCH MITTER **FREESTANDING BRUSH**

Finishing Touch Mitter 24" and 36" Frames



ITEM	PART NO.	DESCRIPTION
1	322107*	Drive Motor Hydraulic 103-2006-010
2	747683*	Rack Pivot Shaft Drive
3	057620* †	1" ESNA Nut N.C. (Not Shown)
4	747642*	Connecting Arm 13-1/4"
5	740365*	HSS Mount Bearing
6	740381	HSS Drive Bearing
7	748368* †	Rack Spacer
8	747865*	Crank Arm
9	019737	1" Set Collar
10	176875	1" Taper Lock Bushing
11	805469	Curtain Clips
12	749937*	Valve Manifold
13	350884 †	Ftg. Hyd. Asap. 1/4" x 1/4") O-Ring St. (Not Shown)
* CALL FOR AVAILABILITY		
† Not pictured		



NOTES

DRAWINGS

NOTES

WASH PACKAGE HYDRAULIC

FREESTANDING BRUSH



PART NO.	DESCRIPTION
HYDRAULIC CHAR-LYNN MOTORS	
088138*	MTR HYD Char-Lynn
110247*	MTR HYD Char-Lynn
322107*	MTR HYD Char-Lynn
315812*	MTR HYD Char-Lynn
315796*	MTR HYD Char-Lynn
315804*	MTR HYD Char-Lynn
323881*	MTR HYD Char-Lynn
355370*	MTR HYD Char-Lynn
317156*	MTR HYD Char-Lynn
HYDRAULIC MOTOR SEAL KITS	
347666*	Seal Kit 101 Series 009 Design
352294*	Seal Kit 103 Series 010 Design
345801*	Seal Kit 104 Series 006 Design
620287*	Seal Kit 106 Series 006 Design
116749*	Seal Kit H-Series
312074*	Seal Kit 60023
351795*	Seal Kit 60547
315762*	Seal Kit 61202
319988*	Seal Kit 61252
324459*	Seal Kit 60533
340794*	Seal Kit 61237
* CALL FOR AVAILABILITY	

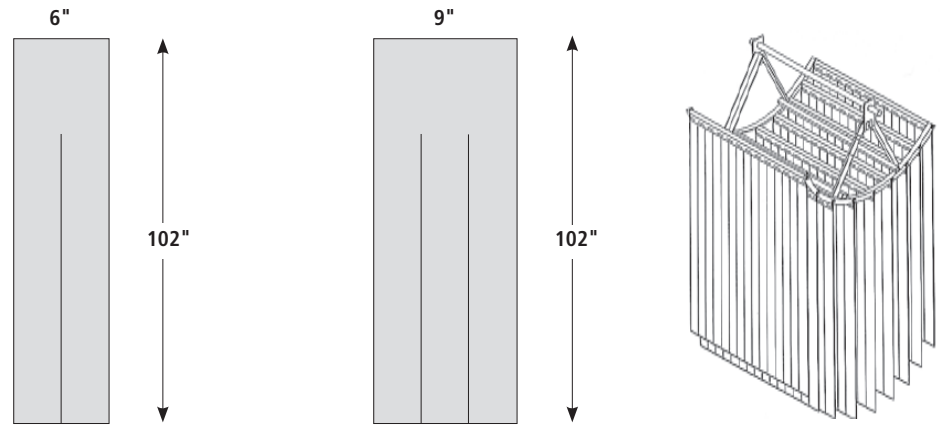


NOTES

DRAWINGS

NOTES

REPLACEMENT MITTER MATERIAL **FREESTANDING BRUSH**



PART NO.	DESCRIPTION
HSS-2, FINISHING TOUCH MITTER (HFTM), OSCILLATING SHAMMY WASHER (OSW-2)–SUPER KLEANCLOTH™	
759803	Standard cut panel 6" x 102"
756452	Standard cut panel 9" x 102" (HSS-2 requires (56) 6" x 102" mitter curtains and (36) 9" x 102" mitter curtains) (HFTM requires (80) 6" x 102" mitter curtains) (OSW-2 requires (96) 6" x 102" mitter curtains)
805469	Curtain retaining clips 1 per panel - high impact plastic (not included with panels, extra)
HDM-2, HDM-3, DYNAMITTER 1556 AND 1557–SUPER KLEANCLOTH™	
801520	HDM-2 or HDM-3 mitter curtains - 21" x 85" (HDM-2 requires (18) 21" x 85" mitter curtains)
801523	HDM-3 mitter curtains - 48" x 85" (HDM-3 requires (18) 21" x 85" mitter curtains and (9) 48" x 85" mitter curtains)
Note: When ordering please specify color of wash material. Contact your HSI representative for recommended mitter lengths per assembly.	



Hanna
A Division of Jim Coleman Co.
5842 West 34th Street, Houston, Texas 77092
Email: hannaparts@jcolemanco.com
www.hannacarwash.com • www.jcolemanco.com

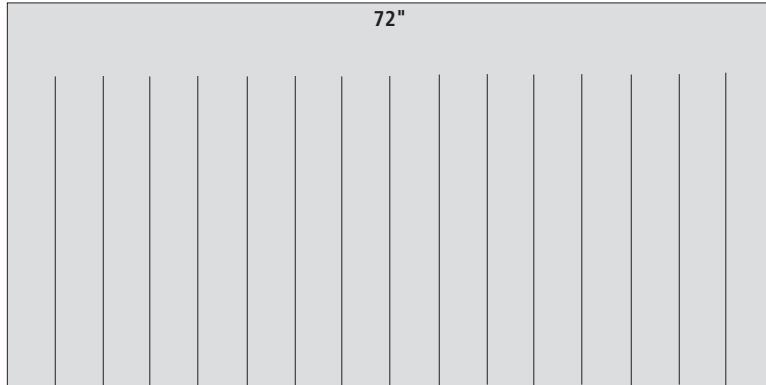
NOTES

DRAWINGS

NOTES

REPLACEMENT MITTER MATERIAL **FREESTANDING BRUSH**

Typical one Piece Standard Cut Panel - Tie Wrap Provided



The following is replacement mitter curtain material for HSI models S-20, S-30, S-40, S-45, S-50.

PART NO.	DESCRIPTION	CLEARANCE (VEHICLE HT.)
STRAIGHT CUT - ONE PIECE CURTAIN MODEL NUMBERS: S-20, S-30, S-40-SUPER KLEANCLOTH™		
249987	Set of 4: 60", 64", 68", 72"	70"
249995	Set of 4: 76", 80", 84", 88"	84"
251959	Set of 4: 80", 84", 88", 92"	90"
STRAIGHT CUT - ONE PIECE CURTAIN MODEL NUMBER: S-45-SUPER KLEANCLOTH™		
744243	Set of 6: 60", 64", 68", 72"	70"
414433	Set of 6: 76", 80", 84", 88"	84"
744250	Set of 6: 80", 84", 88", 92"	90"
STRAIGHT CUT - ONE PIECE CURTAIN MODEL NUMBER: S-50-SUPER KLEANCLOTH™		
24998A	Set of 8: 60", 64", 68", 72"	70"
24999A	Set of 8: 76", 80", 84", 88"	84"
25195A	Set of 8: 80", 84", 88", 92"	90"
Note: When ordering please specify color of wash material.		



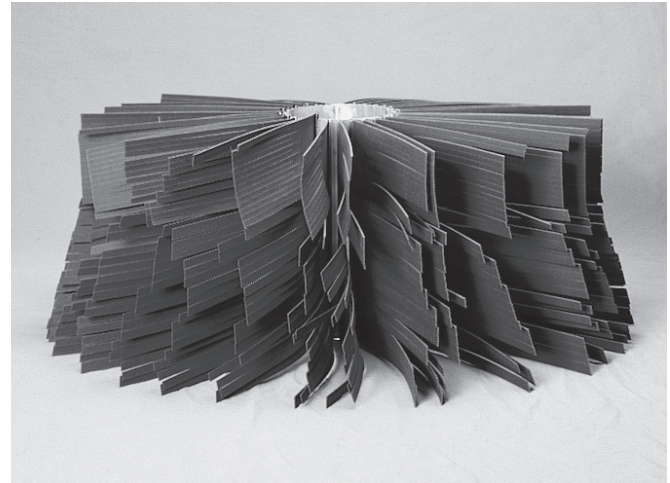
NOTES

DRAWINGS

NOTES

HDM-2 CONVERSION **FREESTANDING BRUSH**

When ordering hubcap rocker panel replacements, dimensions are stated in the following order: core size, height of washer, and diameter. Straight Cut designates a straight, vertical cut. Profile Cut designates an angular cut with Profile Cut dimensions referring to the lower diameter of the wash material. Hubcap Rocker Panel Brushes are available in Super KleanCloth™.



PART NO.	DESCRIPTION
HUBCAP ROCKER PANEL BRUSH 10" X 14" X 50" STRAIGHT CUT–SUPER KLEANCLOTH™	
754267	Hubcap rocker panel C-Channel complete assembly includes brush core and 30 panel inserts
753871	Replacement panel inserts 20" x 14"
762997	Brush core 10" x 14"
HUBCAP ROCKER PANEL BRUSH 10" X 14" X 50" 58" PROFILE CUT–SUPER KLEANCLOTH™	
761064	Hubcap rocker panel C-Channel complete assembly includes brush core and 30 panel inserts
760876	Replacement Panel inserts 20"/24" x 14" profile
762997	Brush core 10" x 14"
Note: When ordering please specify color of wash material.	



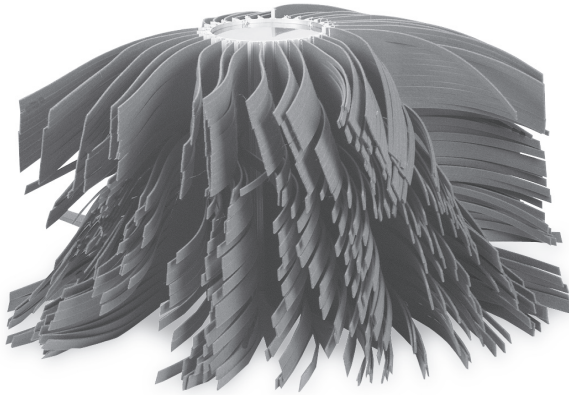
NOTES

DRAWINGS

NOTES

HUBCAP ROCKER PANEL BRUSH

FREESTANDING BRUSH



PART NO.	DESCRIPTION
HUBCAP ROCKER PANEL BRUSH 10" X 21" X 50" STRAIGHT CUT-SUPER KLEANCLOTH™	
754259	Hubcap rocker panel C-Channel complete assembly includes brush core and 30 panel inserts
753863	Replacement panel inserts 20" x 21"
763003	Brush core 10" x 21"
HUBCAP ROCKER PANEL BRUSH 10" X 21" X 50" 58" PROFILE CUT-SUPER KLEANCLOTH™	
761114	Hubcap rocker panel C-Channel complete assembly includes brush core and 30 panel inserts
760884	Replacement panel inserts 20"/24" x 21" profile
763003	Brush core 10" x 21"
HUBCAP ROCKER PANEL BRUSH 10" X 28" X 50" STRAIGHT CUT-SUPER KLEANCLOTH™	
800153	Hubcap rocker panel C-Channel complete assembly includes brush core and 30 panel inserts
800152	Replacement panel inserts 20" x 28" profile
800151	Brush core 10" x 28"
HUBCAP ROCKER PANEL BRUSH 10" X 28" X 50/58" PROFILE CUT-SUPER KLEANCLOTH™	
800532	Hubcap rocker panel C-Channel assembly includes brush core and 30 panel inserts
760892	Profile panel insert replacement
800151	Brush core assembly 10" x 28"
804520	HCRP C-Channel Complete Assembly includes 30 panels and Core with Dual Castings (for mounting on SW/RP combo)
760892	Profile Panel insert Replacement
804519	Core Only, 10" x 28" with Dual Castings
HUBCAP ROCKER PANEL BRUSH 10" X 35" X 50/58" PROFILE CUT-SUPER KLEANCLOTH™	
761106	Hubcap rocker panel C-Channel complete assembly includes brush core and 30 panel inserts
760900	Replacement panel inserts 20"/24" x 35" profile
763037	Brush core 10" x 35"
Note: When ordering please specify color of wash material.	



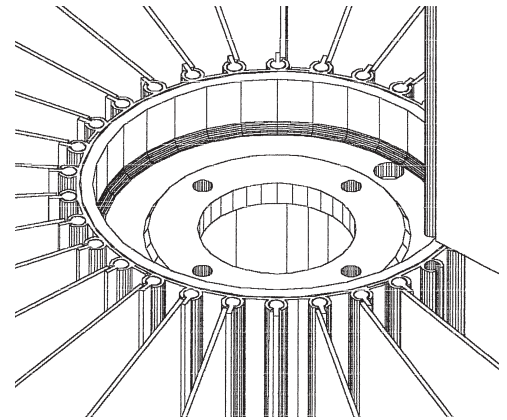
Hanna
A Division of Jim Coleman Co.
5842 West 34th Street, Houston, Texas 77092
Email: hannaparts@jcolemanco.com
www.hannacarwash.com • www.jcolemanco.com

NOTES

DRAWINGS

NOTES

SIDE WASHER/ROCKER PANEL BRUSH **FREESTANDING BRUSH**



PART NO.	DESCRIPTION
SIDE WASHER/ROCKER PANEL BRUSH 10" X 21" X 50" STRAIGHT CUT–SUPER KLEANCLOTH™	
754234	Rocker panel C-Channel complete assembly includes brush core and 30 runs of panel inserts
753988	Replacement panel inserts 20" x 21"
763011	Brush core 10" x 21"
SIDE WASHER/ROCKER PANEL BRUSH 10" X 21" X 50"/58" PROFILE CUT–SUPER KLEANCLOTH™	
761072	Rocker panel C-Channel complete assembly includes brush core and 30 runs of panel inserts
760884	Replacement panel inserts 20"/24" x 21" profile
763011	Brush core 10" x 21"
SIDE WASHER/ROCKER PANEL BRUSH 10" X 28" X 50" STRAIGHT CUT–SUPER KLEANCLOTH™	
754218	Side washer C-Channel complete assembly includes brush core and 30 panel inserts
753970	Replacement panel inserts 20" x 28"
763029	Brush core 10" x 28"
SIDE WASHER/ROCKER PANEL BRUSH 10" X 28" X 50"/58" PROFILE CUT	
761080	Side washer C-Channel complete assembly includes brush core and 30 panel inserts
760892	Panel inserts 20"/24" x 28" profile
763029	Brush core 10" x 28"
805487	Side Washer C-Channel Complete Includes Bush Core & 30 Panel Inserts.
753970	Replacement Panel Insert
805795	Brush Core 10" x 35" S/W
SIDE WASHER BRUSH 12" X 28" X 52" STRAIGHT CUT	
754184	Side washer C-Channel complete assembly includes brush core and 36 panel inserts
753970	36 Replacement panel inserts 20" x 28"
763060	Brush core 12" x 28"
Note: When ordering please specify color of wash material.	

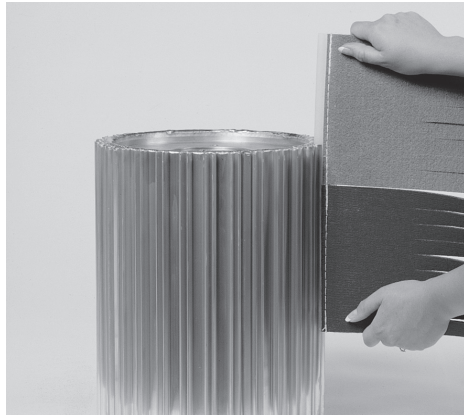


NOTES

DRAWINGS

NOTES

SIDE WASHER/ROCKER PANEL BRUSH **FREESTANDING BRUSH**



A cloth panel being inserted into a C-Channel hub.

PART NO.	DESCRIPTION
SIDE WASHER/ROCKER PANEL BRUSH 10" X 28" X 50" STRAIGHT CUT–SUPER KLEANCLOTH™	
754218	Side washer C-Channel complete assembly includes brush core and 30 panel inserts
753970	Replacement panel inserts 20" x 28"
763029	Brush core 10" x 28"
SIDE WASHER/ROCKER PANEL BRUSH 10" X 28" X 50"/58" PROFILE CUT	
761080	Side washer C-Channel complete assembly includes brush core and 30 panel inserts
760892	Panel inserts 20"/24" x 28" profile
763029	Brush core 10" x 28"
805487	Side Washer C-Channel Complete Includes Bush Core & 30 Panel Inserts.
753970	Replacement Panel Insert
805795	Brush Core 10" x 35" S/W
SIDE WASHER BRUSH 12" X 28" X 52" STRAIGHT CUT	
754184	Side washer C-Channel complete assembly includes brush core and 36 panel inserts
753970	36 Replacement panel inserts 20" x 28"
763060	Brush core 12" x 28"
SIDE WASHER BRUSH 12" X 28" X 52"/60" PROFILE–SUPER KLEANCLOTH™	
761098	Side washer C-Channel complete assembly includes brush core and 36 panel inserts
760892	36 Replacement panel inserts 20"/24" x 28" Profile
763060	Brush core 12" x 28"
SIDE WASHER BRUSH 12" X 35" X 52" STRAIGHT CUT–SUPER KLEANCLOTH™	
800531	Side washer C-Channel complete assembly includes brush core and 36 panel inserts
753962	30 Replacement panel inserts 20" x 35"
763052	Brush core 12" x 35"
SIDE WASHER BRUSH 12" X 35" X 52"/60" PROFILE–SUPER KLEANCLOTH™	
761882	Side washer C-Channel complete assembly includes brush core and 36 panel inserts
760900	Replacement panel inserts 20"/24" x 35" profile
763052	Brush core 12" x 35"
Note: When ordering please specify color of wash material.	



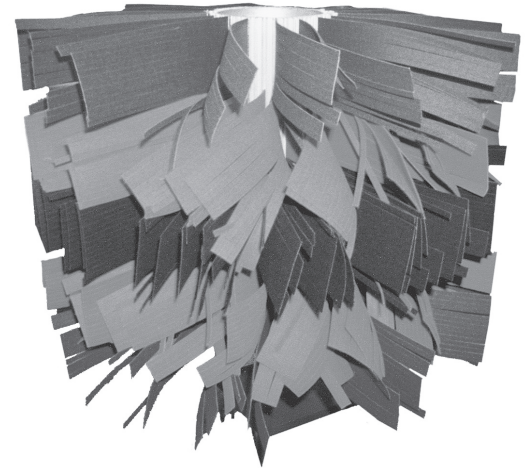
NOTES

DRAWINGS

NOTES

SAFETY WASHAROUND BRUSH **FREESTANDING BRUSH**

Safety washaround brush replacements are used on the bottom section of 180, 182 and 98c wraparound assemblies.



PART NO.	DESCRIPTION
SAFETY WASH AROUND BRUSH 12" X 35" X 52" STRAIGHT CUT-SUPER KLEANCLOTH™	
754192	Safety washaround brush C-Channel complete assembly includes brush core, 18 - 35" panel inserts and 18 - 28" panel inserts
753905	Replacement panel inserts 20" x 35"
753913	Replacement panel inserts 20" x 28"
763052	Brush core 12" x 35"
Note: When ordering please specify color of wash material.	



Hanna
A Division of Jim Coleman Co.
5842 West 34th Street, Houston, Texas 77092
Email: hannaparts@jcolemanco.com
www.hannacarwash.com • www.jcolemanco.com

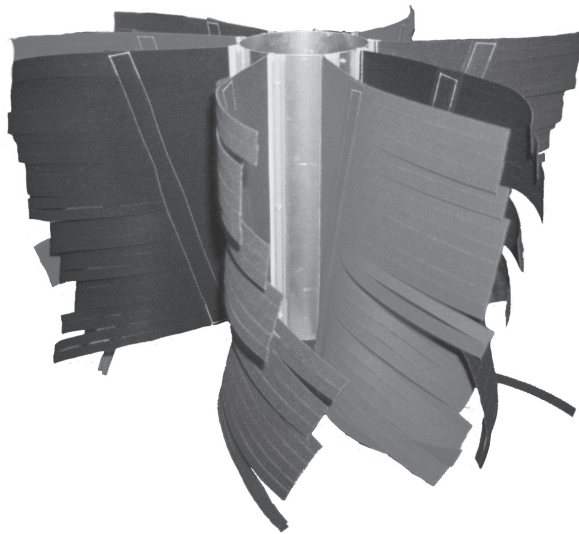
NOTES

DRAWINGS

NOTES

HORIZONTAL WINDOW WASHER BRUSH

FREESTANDING BRUSH



Horizontal window washer replacements are used on the top section of 180, 182 and 98c wraparound assemblies.

PART NO.	DESCRIPTION
HORIZONTAL WINDOW WASHER BRUSH 12" X 14" X 61" STRAIGHT CUT-SUPER KLEANCLOTH™	
754176	Horizontal window washer C-Channel complete assembly includes brush core and 9 panel inserts
754127	Replacement panel inserts 24-1/2" x 14" profile
736934	Brush core 12" x 14"
HORIZONTAL WINDOW WASHER BRUSH 12" X 21" X 61" STRAIGHT CUT-SUPER KLEANCLOTH™	
759514	Horizontal window washer C-Channel complete assembly includes brush core and 9 panel inserts
761130	Replacement panel inserts 24-1/2" x 21"
761155	Brush core 12" x 21"
Note: When ordering please specify color of wash material.	



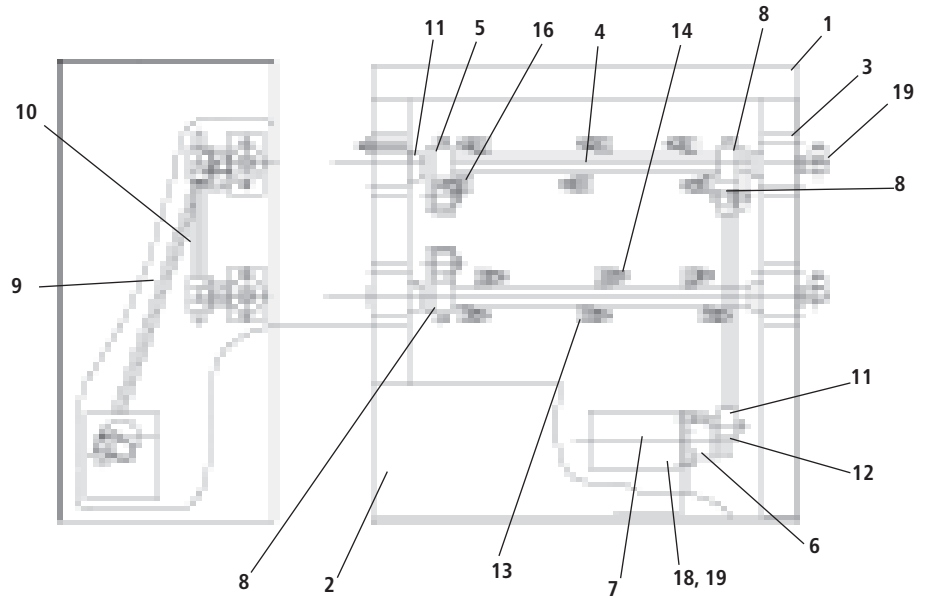
NOTES

DRAWINGS

NOTES

AUTO PREP HIGH PRESSURE APPLICATORS

Auto Prep Manufactured After 8/96



ITEM	PART NO.	DESCRIPTION
1	744169*	Cabinet - Stainless Steel
2	744185*	Front Cover Stainless Steel
3	743484*	Bearing - Manifold - UHMW
4	802345*	Oscillating Manifold - 1" O.D.
5	807482*	Eccentric Collar - 1" Bore - (Manifolds)
6	807483*	Eccentric Collar - 1" Bore - (Hydraulic Motor)
7	317156*	Hydraulic Motor - Char-Lynn #101-1002
8	743880*	Rod End Bearing - UHMW
9	745380*	Connecting Rod - Drive Motor - 1/2" O.D.
10	745398*	Connecting Rod - Manifold Drive - 1/2" O.D.
11	350942*	Shaft Collar - 1-1/16" Bore
12	019729*	Shaft Collar - 1/2" Bore
13	014779	Fitting - 1/4 NPT x 1/4 JIC x 90° Hydraulic St. Elbow
14	360638*	Wash Jet - 1/4" MEG - S.S. - 1503
15	015453*	Washer - 1/2" Flat x 1-3/8" O.D. (Not Shown)
16	020420	Cotter Pin - 1/8" Diameter x 1" Long
17	046888*	Cap Screw - Hex Head - 3/8-16 NC x 3/4" Long
18	018648	Fitting - 1/2 NPT x 1/2 JIC
19	014845	Fitting - 3/8 NPT x 1/2 JIC x 90°
* CALL FOR AVAILABILITY		



182444



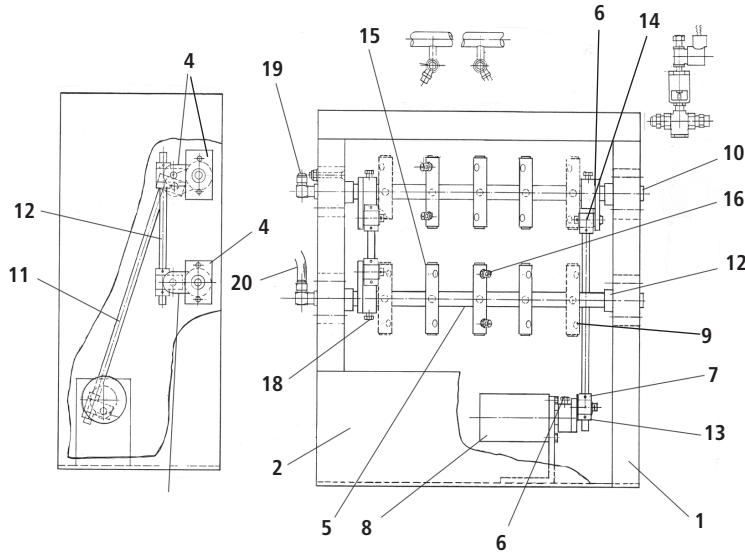
NOTES

DRAWINGS

NOTES

AUTO PREP **HIGH PRESSURE APPLICATORS**

Auto Prep Manufactured Prior to 8/96



ITEM	PART NO.	DESCRIPTION
1-2	744169*	Housing Weldment - Stainless Steel
2-3	744185*	Front Cover - Stainless Steel
4	743484*	Bearing - Manifold - UHMW
5	743500*	Manifold - 1" O.D.
6	807482*	Eccentric Collar - 1" Bore - (Manifolds)
7	807483*	Eccentric Collar - 1" Bore - (Hydraulic Motor)
8	317156*	Hydraulic Motor - Char-Lynn #101-1002
9	743542*	Jet Mounting Block
10	743880*	Rod End Bearing - UHMW
11	745380*	Connecting Rod - Drive Motor - 1/2" O.D.
12	745398*	Connecting Rod - Manifold Drive - 1/2" O.D.
13	350942*	Shaft Collar - 1/1/16" Bore
14	019729*	Shaft Collar - 1/2" Bore
15	058636*	Pipe Plug-Socket Head - 3/8 NPT
16	351270*	Wash Jet - 1/4" MEG - S.S. .1504
17	015453* †	Washer - 1/2" Flat x 1-3/8" O.D. (Not Shown)
18	020420 †	Cotter Pin - 1/8" Dia. x 1" Lg.
19	046888* †	Cap Screw - Hex Head - 3/8-16 NC x 3/4" Lg.
20	018648 †	Fitting - 1/2 NPT x 1/2 JIC
* CALL FOR AVAILABILITY		
† Not pictured		



NOTES

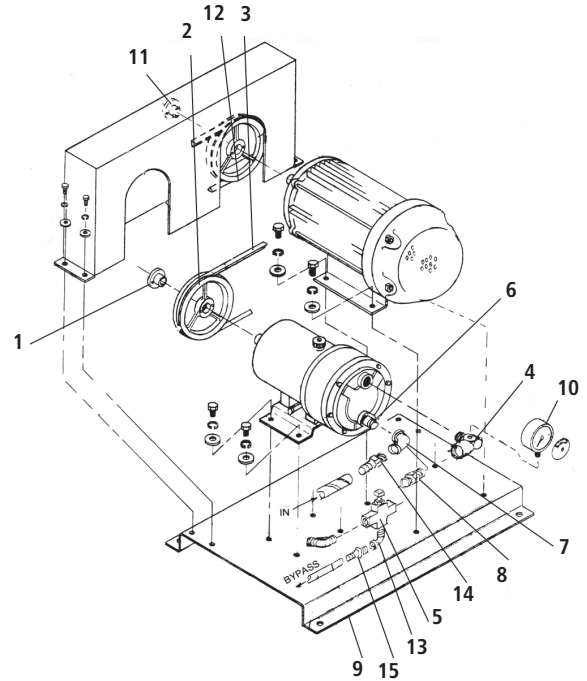
DRAWINGS

NOTES

AUTO PREP PRESSURE PUMP **HIGH PRESSURE APPLICATORS**

Auto Prep Pressure Pump Assembly is designed to fit HSI Auto Prep components regardless of date of production. (See previous two pages).

Pressure Pump Assembly (20 gpm)



ITEM	PART NO.	DESCRIPTION
1	331876*	Bushing T.L. H. - 1"
2	339523*	Pulley - 'Driven'
3	333724*	Belt
4	014878	FTG 90° Street ELL with Gauge Port
5	345611	Pressure Regulator Valve - Wanner #C-23
6	116368*	Nipple 1-1/2" x 2-1/2" Lg. Galvanized
7	015214*	Elbow 1-1/2" Galvanized
8	012534*	Nipple - 1" Hex
9	035550*	45° EL 1" NPT x #16 JIC
10	070292*	Gauge 2-1/2" Dia. 3000 psi 1/4" NPT BTM. Outlet
11	331868*	Bushing T.L. H - 1-3/8"
12	333401*	Pulley - 'Drive'
13	015040*	Street EL 90° 1" NPT Galvanized
14	324913*	Hose Barb 1-1/2" NPT Galvanized
15	323691*	Hose Barb 1" NPT x 1" Hose
16	190785 †	Clamp Screw 1-1/2" Hose
17	039487 †	Clamp Screw 1" Hose
* CALL FOR AVAILABILITY		
† Not pictured		



HIGH PRESSURE APPLICATORS

DRAWINGS

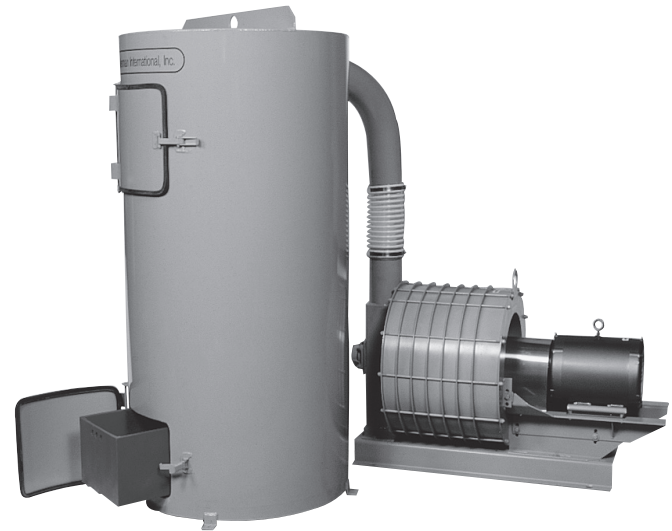
NOTES

HSI CENTRAL VACUUMS

VACUUMS

PART NO.	DESCRIPTION
800339*	Tank Assembly w/Bags
800305*	Turbo Complete 20 Hp With Motor
80030A*	Turbo Complete 20 Hp Without Motor
174896*	Turbo Complete 15 Hp With Motor
17489A*	Turbo Complete 15 Hp Without Motor
209437*	Turbo Complete 10 Hp With Motor
20943A*	Turbo Complete 10 Hp Without Motor
174895*	Turbo/Shaft Assembly 15 Hp (7 Impellers w/Shaft/Nut/Washer)
365185*	Coupling 1" - Rex Omega Coupling
365186*	Coupling 1-1/8" - Rex Omega Coupling
365187*	Coupling 1-3/8" - Rex Omega Coupling
365188*	Coupling 1-5/8" - Rex Omega Coupling
365189*	Coupling Element
361893*	Replacement Spyder
180505*	Bag Vacuum (For Round Door Vacuums) w/Tie, Flamming
315267*	Bag Vacuum (For Square Door Vacuums) with Wire Ring
750836*	Dirt Collector (Plastic Rectangular Drawer)
185728*	Door Gasket For Round Door
25918A*	Door Gasket For Square Door (Extruded Channel)
266924*	Vacuum Door with Hinge Rod
266940*	Door Rectangular Repair Parts (Hinge, Rod)
758805*	Elbow Top 5" With Screen (For Tank)
266932*	Hinge Anchor For Rectangular Door
316299*	Hook "S" For Connecting Vacuum Bas To Top
339820*	Hose Clamp For 4" And 5" Connecting Hose
196394*	Hose Connecting 4" Diameter (1.5' required)
194357*	Hose Connecting 5" Diameter (1.5' required)
175174*	Impeller 1-3/8" Turbo Vac
315069*	Latch Anchor For Rectangular Door
315051*	Latch For Rectangular Door
175059*	Shaft 15 Hp 7-Stage
010330*	Shaft Bearing, 4-Bolt Flange
196253*	Shaft Locknut #N-07
196246*	Shaft Lockwasher #W-07
196261*	1-3/8" Snap Ring
291912*	Vacuum Bearing Spacer
720292*	Vacuum Collector 6 Drops 5"
719955*	Vacuum Collector 5 Drops 5"
282236*	Vacuum Collector 4 Drops 5"
292193*	Vacuum Collector 3 Drops 4"
Note: ETL approved.	
* CALL FOR AVAILABILITY	

Hanna 5, 10, 15 & 20 Hp Central Vacuums



800339

174896



NOTES

DRAWINGS

NOTES

VACUUM HOSE, TOOLS AND CUFFS

VACUUMS

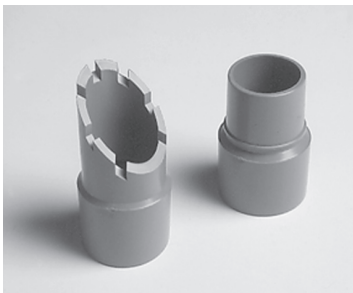


032813

032821



323485



326710

032805

PART NO.	DESCRIPTION
323485	Vacuum Tool 2" X 10", Nozzle Orange Plastic
320390	Vacuum Tool 1-1/2" X 10", Nozzle Orange Plastic
032805	Vacuum Cuff 2"
032797	Vacuum Cuff 1-1/2"
032813	Vacuum Hose 1-1/2"
032821	Vacuum Hose 2"
326751	Vacuum Cuff Tool 1-1/2" x 1-1/2" Angle
326710	Vacuum Cuff Tool 2" x 2" Angle
326728	Vacuum Cuff Tool 2" x 1-1/2" Angle
362646	Vacuum Hose Repair Cuff 1-1/2"
326736	Vacuum Hose Repair Cuff 2"
326744	Vacuum Hose Adapter Cuff 1-1/2"
718205	Vacuum Tool Hanger



Hanna
A Division of Jim Coleman Co.
5842 West 34th Street, Houston, Texas 77092
Email: hannaparts@jcolemanco.com
www.hannacarwash.com • www.jcolemanco.com

NOTES

DRAWINGS

A large, empty rectangular box with a thin black border, intended for technical drawings or diagrams.

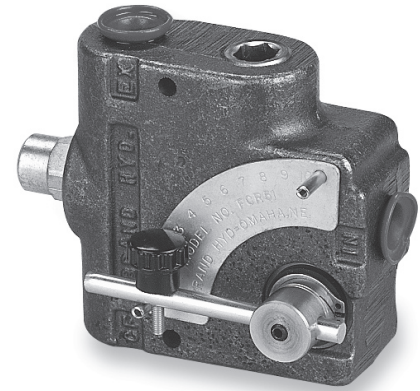
NOTES

A series of ten horizontal lines spaced evenly down the page, providing a template for handwritten notes.

HYDRAULIC PROPORTIONATOR PARTS

HYDRAULIC

PART NO.	DESCRIPTION
PROPORTIONATOR SECTIONS: HEX KEY STYLE	
361230	Section Kit 304
361231	Section Kit 307
362647	Section Kit 310
361232	Spacer Kit Bearing & Hex Coupling
802239	Hex Drive Coupling 3/8" x 1-1/8"
116277	O-Ring
362788	Prop Spacer Bearing
PROPORTIONATOR SECTIONS: TANG DRIVE STYLE	
Part No.	Description
180331	Section 304
181917	Section 307
193466	Section 310
186544	End Cap Inlet Only
193482	End Cap Inlet & Outlet
189886	End Cap Top Outlet
181107	Spacer w/ Bearing & Port
317032	Spacer w/ Bearing w/o Port
136010	Return Manifold 14 Port
208064	Return Manifold 8 Port
HYDRAULIC VALVES	
Part No.	Description
320796	Priority Valve
324285	Valve Delta 3/8" N.O. 24 VAC
321000	Valve Delta 3/8" N.C. 24 VAC
359801	Valve Relief RV 2L (15 & 20 Hp)
358119	Valve Relief JT 50 (5 & 10 Hp)
197830	Flow Control PCM600





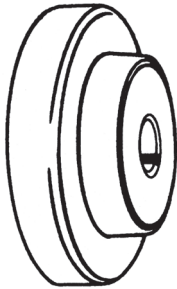
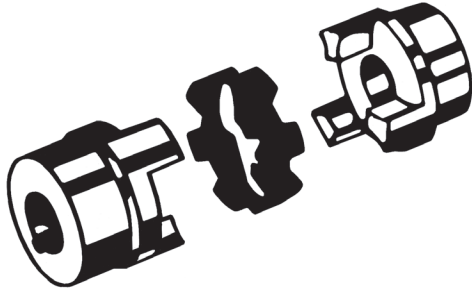
NOTES

DRAWINGS

NOTES

FLEX COUPLINGS AND SPYDERS

HYDRAULIC



PART NO.	DESCRIPTION
329730	Coupling Martin Flange 1-1/2" L150
329755	Coupling Martin Flange 1-1/8" L150
329748	Coupling Martin Flange 1" L150
343004	Coupling Spyder Flex Hytrel-150
193417	6S 3/4" Martin Coupling
623481	6S 7/8" Martin Coupling
196717	6S 1" Martin Coupling
182584	6S 1-1/8" Martin Coupling
324491	6S 1-1/4" Martin Coupling
196238	6S 1-3/8" Martin Coupling
028845	65E Flex Spyder
330795	7S 3/4" Martin Coupling
193433	7S 7/8" Martin Coupling
313064	7S 1" Martin Coupling
352476	7S 1-1/8" Martin Coupling
079251	7S 1-1/4" Martin Coupling
193425	7S 1-3/8" Martin Coupling
348474	7S 1-1/2" Martin Coupling
079269	7S 1-5/8" Martin Coupling
075671	7JE Flex Spyder
193458	8S 7/8" Martin Coupling
324509	8S 1-1/4" Martin Coupling
193441	8S 1-5/8" Martin Coupling
199091	8S 1-7/8" Martin Coupling
193391	8JE Flex Spyder
365185	Coupling 1" - Rex Omega Coupling
365186	Coupling 1-1/8" - Rex Omega Coupling
365187	Coupling 1-3/8" - Rex Omega Coupling
365188	Coupling 1-5/8" - Rex Omega Coupling
365189	Coupling Element
361893	Replacement Spyder for Central Vacuum Couplings - Quick Flex



NOTES

DRAWINGS

NOTES

FITTINGS

HYDRAULIC

	PART NO.	DESCRIPTION
COUPLINGS		
	035469	Tube Nut 1/2" 5105 x 8
	363483	Tube Nut 1/2" 318-08 Stainless Steel
	035485	Tube Sleeve 1/2" 5165 x 8
	363484	Tube Sleeve 1/2" 319 x 08 Stainless Steel
	015909	Tube Union Male 1/2" 5305 x 8
	363481	Tube Union male 1/2" 2403 x 8 x 8 Stainless Steel
	018648	Street Fitting Male 1/2" x 1/2" 2404 x 8 x 8
	027458	Street Fitting Male 1/2" x 3/8" 2404 x 8 x 6
	018697	Street Fitting Male 1" x 1" 2404 x 16 x 16
	361344	Street Fitting Male-Female 1/2" x 3/8" 2405 x 8 x 6
	014852	90 Degree Elbow 1/2" x 1/2" 2501 x 8 x 8
	118406	90 Degree Elbow 3/4" x 3/4" 5405 x 12 x 12



NOTES

DRAWINGS

NOTES

FITTINGS

HYDRAULIC

	PART NO.	DESCRIPTION
COUPLING		
	082669	90 Degree Elbow Long 1/2" x 3/8" 2501-L x 8 x 6
	111187	90 Degree Elbow Extra-Long 1/2" x 1/2" 2501-LL 8 x 8
	035550	45 Degree Elbow 1" x 1" 2503 x 16 x 16
	324277	Tee 1/2" JIC x 1/2" JIC x 3/8" NPT 2601 x 8 x 8 x 6
	360593	Tee 1/2" JIC x 3/8" NPT x 1/2" JIC 2605 x 8 x 6 x 8
	035758	Tee 1/2" x 1/2" x 1/2" Male 2605 x 8 x 8 x 8
	015933	Union 1/2" x 1/2" 2700 x 8 x 8
	363482	Union 1/2" Bulkhead 2700 8 x 8 Stainless Steel
	194811	Barb Fitting 1-1/4" NPT x 1-1/4" Barb 4501 x 20 x 20
	194803	Barb 45 Degree Elbow 1-1/4" x 1-1/4" 4503 x 20 x 20




NOTES

DRAWINGS

NOTES

FITTINGS

HYDRAULIC

		PART NO.	DESCRIPTION
COUPLING			
	061812	Swivel 1/2" JIC x 1/2" JIC 6500 x 8 x 8	
	361302	Street Swivel Connector 1/2" NPT x 1/2" NPT 6505 x 8 x 8	
	361343	Street Swivel Connector 3/8" NPT x 1/2" NPT 6505 x 6 x 8	
	621282	Swivel Adapter 1/2" NPT Female x 1/2" NPSM Female 6506 x 8 x 8	
	350884	Adapter O-Ring 1/4" x 1/4" O-Ring Street 6405 x 4 x 4	
	356709	Adapter O-Ring 1/2" Male x 1/2" Female O-Ring 6405 x 8 x 8	
	320101	90 Degree O-Ring Connector 1/2" x 3/4" 6801-NWO x 8 x 12	
	029330	Adapter Swivel 1/2" 141-15208	
	013219	Bushing 3/8" NPT x 1/4" NPT 5406 x 6 x 4	
	013227	Bushing 1/2" NPT x 1/4" NPT 5406 x 8 x 4	
	013235	Bushing 1/2" NPT x 3/8" NPT 5406 x 8 x 6	
	013268	Bushing 3/4" NPT x 1/2" NPT 5406 x 12 x 8	
	082180	Bushing 1" NPT x 1/2" NPT 5406 x 16 x 8	
	118463	Bushing 1" NPT x 3/4" NPT 5406 x 16 x 12	
	035402	Hex Nipple Street 1/2" NPT x 3/8" NPT 5404 x 8 x 6	
	012526	Hex Nipple Street 1/2" NPT x 1/2" NPT 5404 x 8 x 8	
	012534	Hex Nipple Street 1" NPT x 1" NPT 5404 x 16 x 16	
	014779	90 Degree Elbow Street 1/4" x 1/4" 5502 x 4 x 4	
	114793	90 Degree Elbow Street 1" x 1" 5502 x 16 x 16	
	014829	90 Degree Elbow Street 3/8" x 3/8" 5502 x 6 x 6	
	069708	Tee 1/2" Male NPT x 1/2" Female NPT x 1/2" Female NPT 5602 x 8	
	064493	Tee 1" Male NPT x 1" Female NPT x 1" Female NPT 5602 x 16 X 16 X 16	




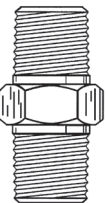
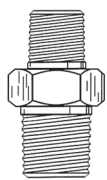
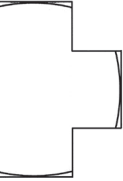
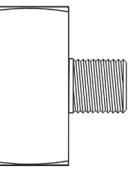
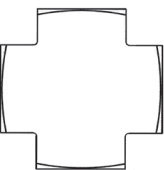
Hanna
A Division of Jim Coleman Co.
5842 West 34th Street, Houston, Texas 77092
Email: hannaparts@jcolemanco.com
www.hannacarwash.com • www.jcolemanco.com

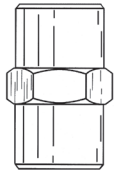
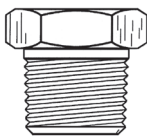
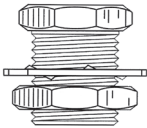
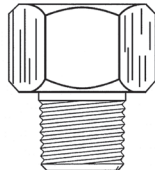
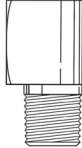
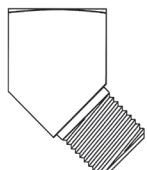
NOTES

DRAWINGS

NOTES

FITTINGS **HYDRAULIC**

	PART NO.	PIPE THREAD	PIPE THREAD
REDUCERS			
	340711	1/4"	1/8"
	338954	3/8"	1/4"
	338962	1/2"	3/8"
	621078	1/2"	1/4"
CLOSE NIPPLES			
	034819	1/4"	
	327395	3/8"	
	327676	1/2"	
	334359	3/4"	
	334136	1-1/2"	
HEX NIPPLES			
	346247	1/8"	
	012500	1/4"	
	621059	3/8"	
	621111	1/2"	
	621112	3/4"	
TEE			
	014357	1/4"	
	621065	3/8"	
	621096	1/2"	
	360257	3/4"	
MALE BRANCH TEE			
	034827	1/8"	
	014340	1/4"	
CROSS			
	621030	1/4"	
	621056	3/8"	
	621068	1/2"	
	621076	3/4"	
	621094	1"	

	PART NO.	PIPE THREAD
COUPLING		
	327429	1/4"
	338988	3/8"
BUSHING		
	013185	1/4" x 1/8"
	027508	3/8" x 1/4"
	621040	1/2" x 1/4"
	327700	1/2" x 3/8"
	621041	3/4" x 1/4"
	327718	3/4" x 3/8"
	327726	3/4" x 1/2"
	353433	1" x 3/4"
BULKHEAD FITTING		
	015693	1/4"
	361013	1/2"
ADAPTER		
	196469	1/4" x 1/8"
	327668	3/8" x 1/4"
	334334	1/2" x 1/4"
	028720	1/2" x 3/8"
90° STREET ELBOW		
	621011	1/8"
	014738	1/4"
	015263	3/8"
45° STREET ELBOW		
	014712	1/4"



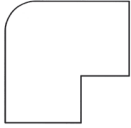

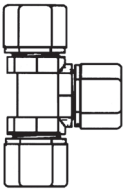
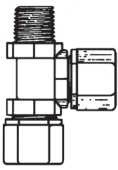

NOTES


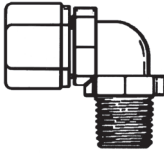
DRAWINGS

NOTES

FITTINGS

HYDRAULIC

	PART NO.	PIPE THREAD
90° UNION ELBOW		
	621012	1/8"
	621028	1/4"
	621057	3/8"
	621087	1/2"
Plastic Fitting Fast & Tite		
UNION CONNECTOR TUBE TO TUBE		
	313353	N4UC4 1/4" x 1/4"
	343574	N6UC4 3/8" x 1/4"
	313437	N6UC6 3/8" x 3/8"
	323907	N8UC6 3/8" x 1/2"
	317305	N8UC8 1/2" x 1/2"
TEE UNION TUBE TO TUBE		
	313403	N4TU4 1/4"
	310102	N6TU6 3/8"
	312777	N8TU8 1/2"
MALE RUN TEE TUBE TO NPT		
	340976	N4MR2 1/4" x 1/8" NPT
	310383	N6MR4 3/8" x 1/4" NPT
MALE BRANCH TEE UNION TUBE TO NPT		
	340968	N4MT2 1/4" x 1/8" NPT
	313429	N4MT4 1/4" x 1/4" NPT
	313411	N6MT4 3/8" x 1/4" NPT
	331272	N8MT8 1/2" x 3/8" NPT

	PART NO.	DESCRIPTION
MALE CONNECTOR TUBE TO NPT		
	307165	N4MC4 1/4" x 1/4" NPT
	310342	N6MC4 3/8" x 1/4" NPT
	181768	N6MC6 3/8" x 3/8" NPT
	312769	N8MC4 1/2" x 1/4" NPT
	312785	N8MC6 1/2" x 3/8" NPT
	313452	N8MC8 1/2" x 1/2" NPT
MALE ELBOW		
	Part No.	Description
	313387	N4ME2 1/4" x 1/8"
	307132	N4ME4 1/4" x 1/4"
	313395	N6ME4 3/8" x 1/4"
	313379	N6ME6 3/8" x 3/8"
	313361	N8ME6 1/2" x 3/8"
	323303	N8ME8 1/2" x 1/2"



NOTES

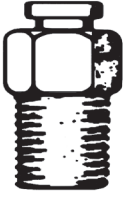
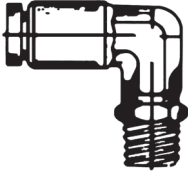

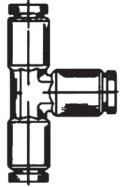
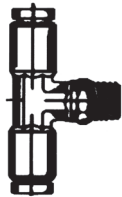
DRAWINGS

NOTES

Lined area for notes with horizontal lines.

BRASS "PUSH LOCK" CONNECTORS

HYDRAULIC

	PART NO.	DESCRIPTION
MALE CONNECTOR		
	341578	AQ68P4-2 1/4" x 1/8"
	341586	AQ68P4-4 1/4" x 1/4"
	341594	AQ68P6-4 3/8" x 1/4"
	341610	AQ68P8-4 1/2" x 1/4"
	341628	AQ68P8-6 1/2" x 3/8"
ELBOW 90°		
	Part No.	Description
	341636	AQ69P4-2 1/4" x 1/8"
	341644	AQ69P4-4 1/4" x 1/4"
	341651	AQ69P6-4 3/8" x 1/4"
	341685	AQ69P8-6 1/2" x 3/8"
	341669	AQ69P6-6 3/8" x 3/8"
	353904	AQ69P8-8 1/2" x 1/2"
341677	AQ69P8-4 1/2" x 1/4"	
STRAIGHT UNION		
	341529	AQ62-P-6 3/8"
	341537	AQ62-P-8 1/2"
	341511	AQ82P4 1/4" Bulkhead Union
UNION TEE		
	341545	AQ64P-4 1/4"
	341552	AQ64P-6 3/8"
	341560	AQ64P-8 1/2"
MALE BRANCH TEE		
	Part No.	Description
	360783	3/8" x 1/4"

BRASS POLY PUSH INSERT TUBE

For use with polyethylene and nylon tubing on pneumatic instrumentation circuits. Working pressure is vacuum to 285 psi. Temperature range is from 0 degree to 150 degree F. Poly-push fittings are made with an inner nitrile o-ring and elastic grab ring with radial claws. Simply push the tubing in for an instant. To release, push on the push-sleeve and the tubing easily slides out.



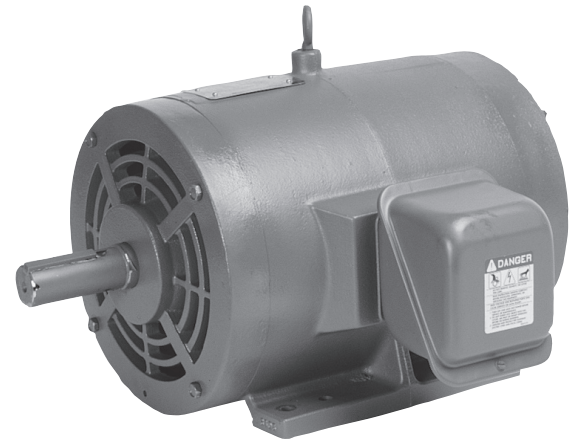
NOTES

DRAWINGS

NOTES

60 HZ ELECTRIC MOTORS

ELECTRIC MOTORS



PART NO.	DESCRIPTION
336503	7.5 Hp 230/460 60Hz 1800Rpm Baldor
190371	7.5 Hp 230/460 60Hz 3600Rpm Baldor
113555	10 Hp 230/460 60Hz 1800Rpm Baldor
081711	10 Hp 230/460 60Hz 3600Rpm Baldor
191361	10 Hp 230/460 60Hz 1800Rpm Toshiba
187922	10 Hp 230/460 60Hz 3600Rpm Toshiba
191379	15 Hp 230/460 60Hz 1800Rpm Toshiba
360767	15 Hp 230/460 60Hz 3600Rpm Toshiba
066233	15 Hp 230/460 60 HZ 3600Rpm Baldor
044016	20 Hp 230/460 60Hz 1800Rpm Toshiba
196899	20 Hp 230/460 60Hz 3600Rpm Toshiba F1
361461	20 Hp 230/460 60Hz 3600Rpm Toshiba F2
188094	30 Hp 230/460 60Hz 3600Rpm Toshiba
314047	40 Hp 230/460 60Hz 3600Rpm Toshiba
196949	50 Hp 230/460 60Hz 3600Rpm Toshiba
335406	1/2 Hp. 208/230/460 1750 56C Baldor
075085	1 Hp. 208/230/460 1750 56C Baldor
335414	1.5 Hp. 230/460 VWDM3554 Baldor
354308	2 Hp VWDM3558T 7/8" input Baldor
353672	2 Hp VWDM3558 5/8" input Baldor
361469	15 Hp 200/400 60Hz 3600Rpm Toshiba
360954	20 Hp 200/400 60Hz 3600Rpm Toshiba F1
361460	20 Hp 200/400 60Hz 3600Rpm Toshiba F2
359264	25 Hp 200/400 60Hz 3600Rpm Toshiba F1
361464	25 Hp 200/400 60Hz 3600Rpm Toshiba F2
314963	25 Hp 230/460 60Hz 3600Rpm Toshiba F1
361465	25 Hp 230/460 60Hz 3600Rpm Toshiba F2
361471	30 Hp 200/400 60Hz 3600Rpm Toshiba
361473	40 Hp 200/400 60Hz 3600Rpm Toshiba

Note: UL approved.



NOTES

DRAWINGS

NOTES

Hanna Tunnels

• parts manual



AN O'HANRAHAN COLEMAN COMPANY

5842 W 34th St, Houston, TX 77092
1.800.999.9878 • 1.713.683.9878
• www.colemanhanna.com



Find us on Facebook: •
[/ColemanHannaCarwash](https://www.facebook.com/ColemanHannaCarwash)

PARTS DEPARTMENT

5842 W 34th St, Houston, TX 77092
1.866.927.4229 • 713.590.6652.fax
• www.colemanhanna.com