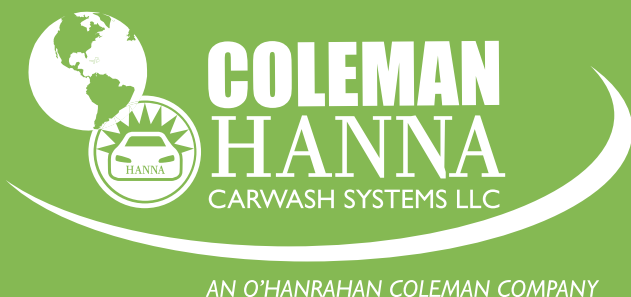


eFusion

Drawings

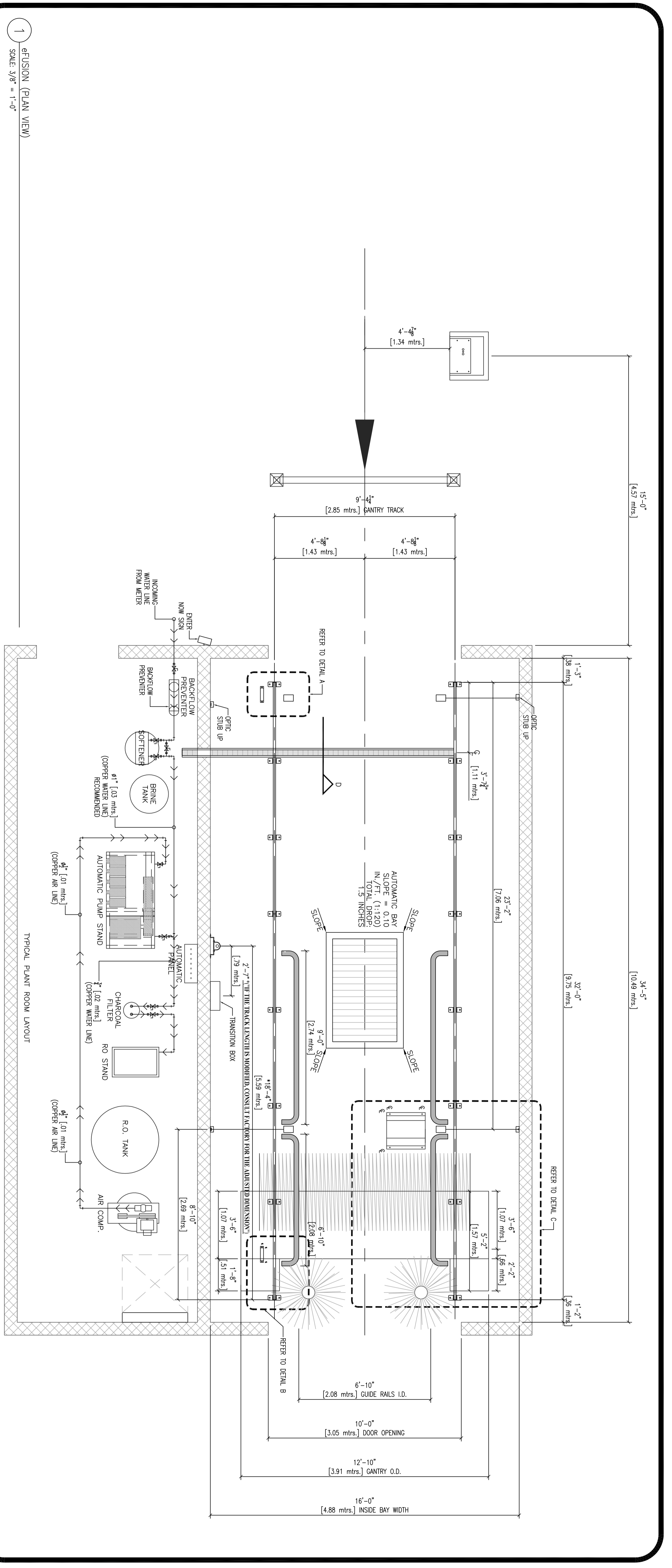


5842 W 34th St • Houston, TX 77092
1.800.999.9878 • 1.713.683.9878

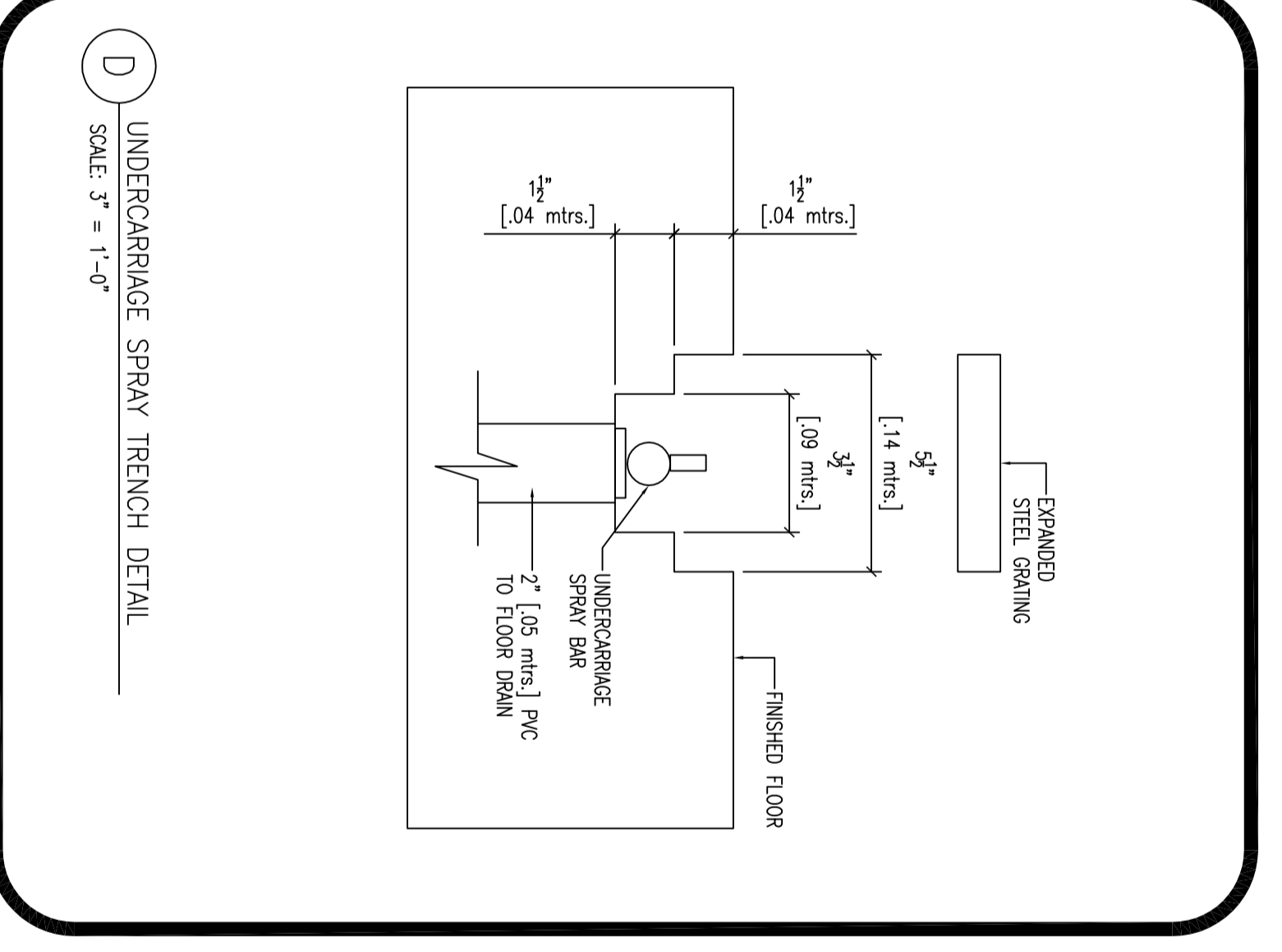
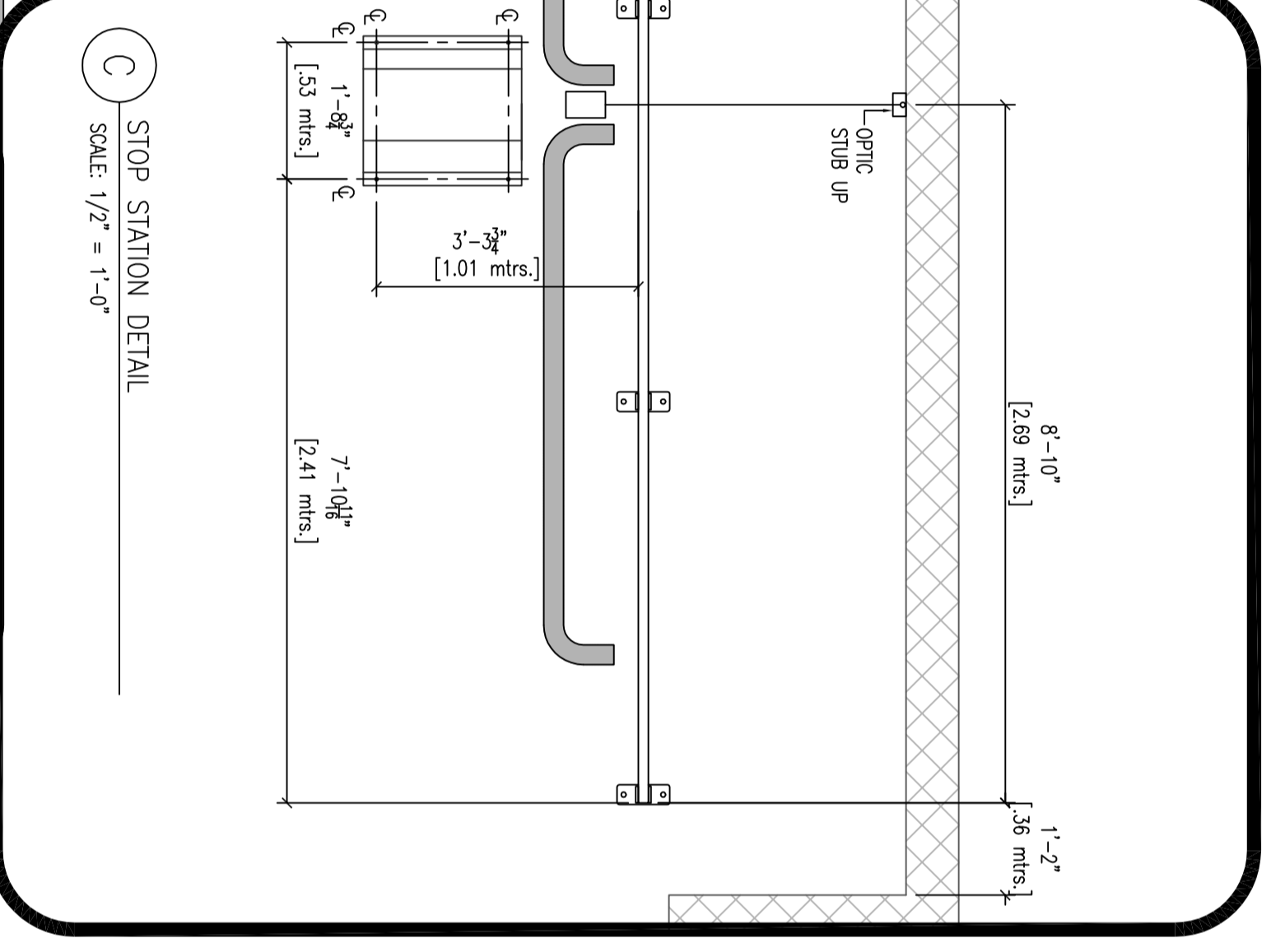
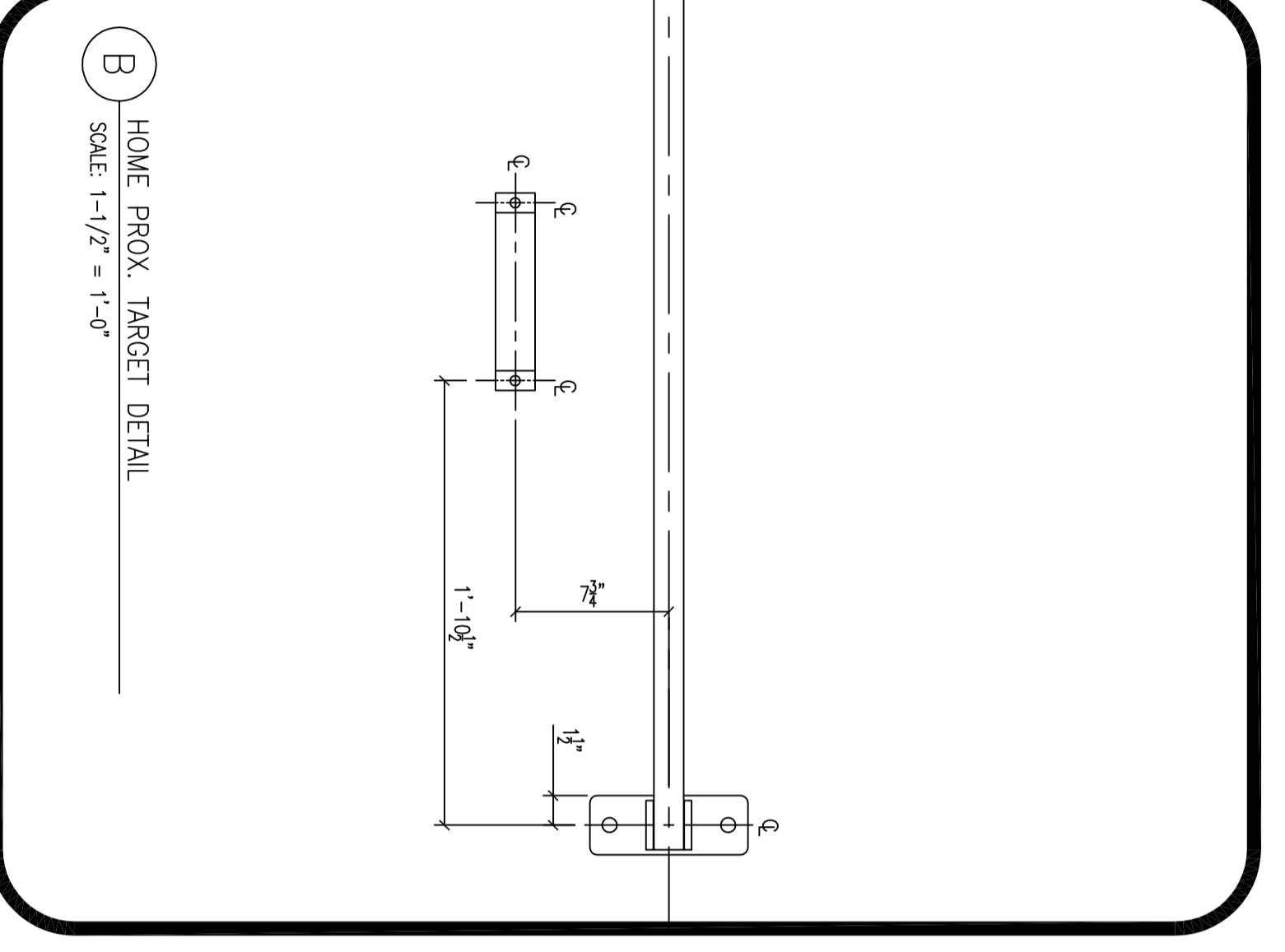
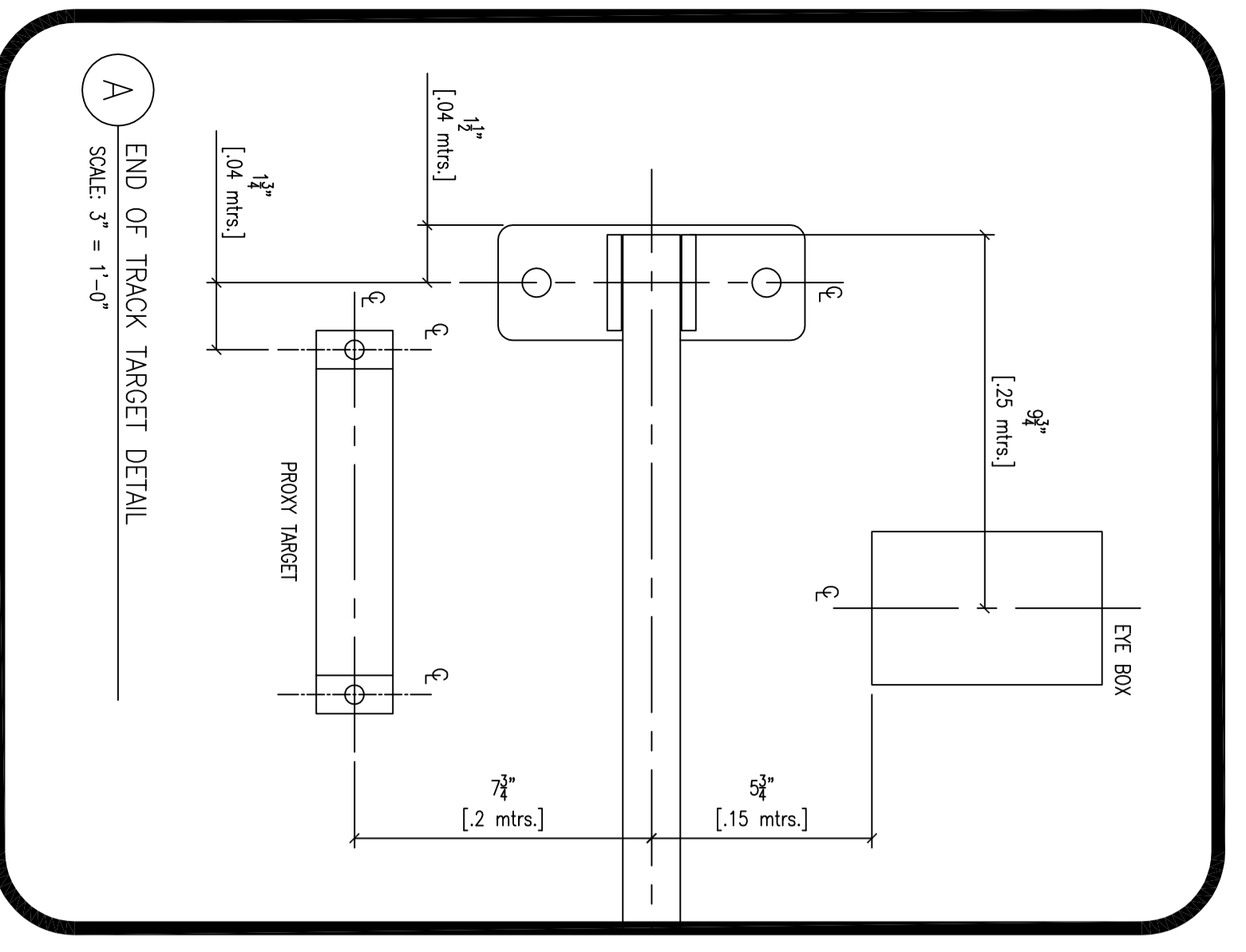
www.colemanhanna.com



Find us on Facebook:
[/ColemanHannaCarwash](https://www.facebook.com/ColemanHannaCarwash)



1 e-FUSION (PLAN VIEW)
SCALE: 3/8" = 1'-0"



EQUIPMENT INSTALLERS RESPONSIBILITIES FOR THE e-FUSION

1. WHEN REQUESTED, J.C.C. WILL PROVIDE THE OPERATOR SITE DRAWINGS FOR THE PROPER PLACEMENT OF EQUIPMENT FOR BOTH THE EQUIPMENT ROOM AND BAY IN A TIMELY MANNER ONCE SITE QUESTIONNAIRE HAS BEEN RECEIVED.
2. IF SITE INCLUDES A FLOOR HEAT SYSTEM, OPERATOR IS RESPONSIBLE TO INSTALL IN-FLOOR TUBING SO AS TO AVOID THE AREA OF BAY FLOOR DIRECTLY BENEATH THE DRIVE RAIL AND MOUNTING LOCATION AS SPECIFIED ON THE ABOVE MENTIONED DRAWINGS. JIM COLEMAN CO.'S EQUIPMENT INSTALLATION SPECIALISTS WILL PROVIDE THE NECESSARY INFORMATION ON THIS MATTER. SPECIFIED AND SLOTTED SPRINKLERS.
3. OPERATOR IS RESPONSIBLE FOR THE MOUNTING AND INSTALLATION OF THE AUTO-CASHER. IF OPERATOR CHOOSES TO CONSTRUCT AUTO-CASHER BASE OR MASONRY, JIM COLEMAN CO. WILL PROVIDE A TYPICAL BACKWORK DRAWING FOR THE AUTO-CASHER BASE. THIS IS TO BE COMPLETED PRIOR TO INSTALLATION OF THE AUTOMATIC EQUIPMENT.
4. J.C.C. INSTALLERS WILL MAKE FINAL TERMINATION OF LOW VOLTAGE CONTROL CIRCUITS
5. J.C.C. INSTALLERS WILL MAKE NECESSARY WIRING AND PLUMBING CONNECTIONS FROM THE SPOT FREE RINSE (SFR) SYSTEM TO THE AUTOMATIC RINSE UNIT.

PLUMBERS RESPONSIBILITIES FOR THE WATER WIZARD

1. BRING WATER LINE AS SPECIFIED TO ALL AUTOMATIC EQUIPMENT
2. INSTALL THE HOT, COLD, AND SPOT FREE RINSE BRINGS AS SPECIFIED
3. INSTALL WATER SOFTENER, BOILERS, WATER HEATERS, AND ANY OR ALL PLUMBING UP STREAM OF THE AUTOMATIC RINSE UNIT
4. RUN ALL AIR LINES AS SPECIFIED IN THE DRAWINGS TO ALL EQUIPMENT UTILIZING COMPRESSED AIR
5. RUN ALL DRAINS AS SPECIFIED IN THE PLUMBING SITE PLAN.

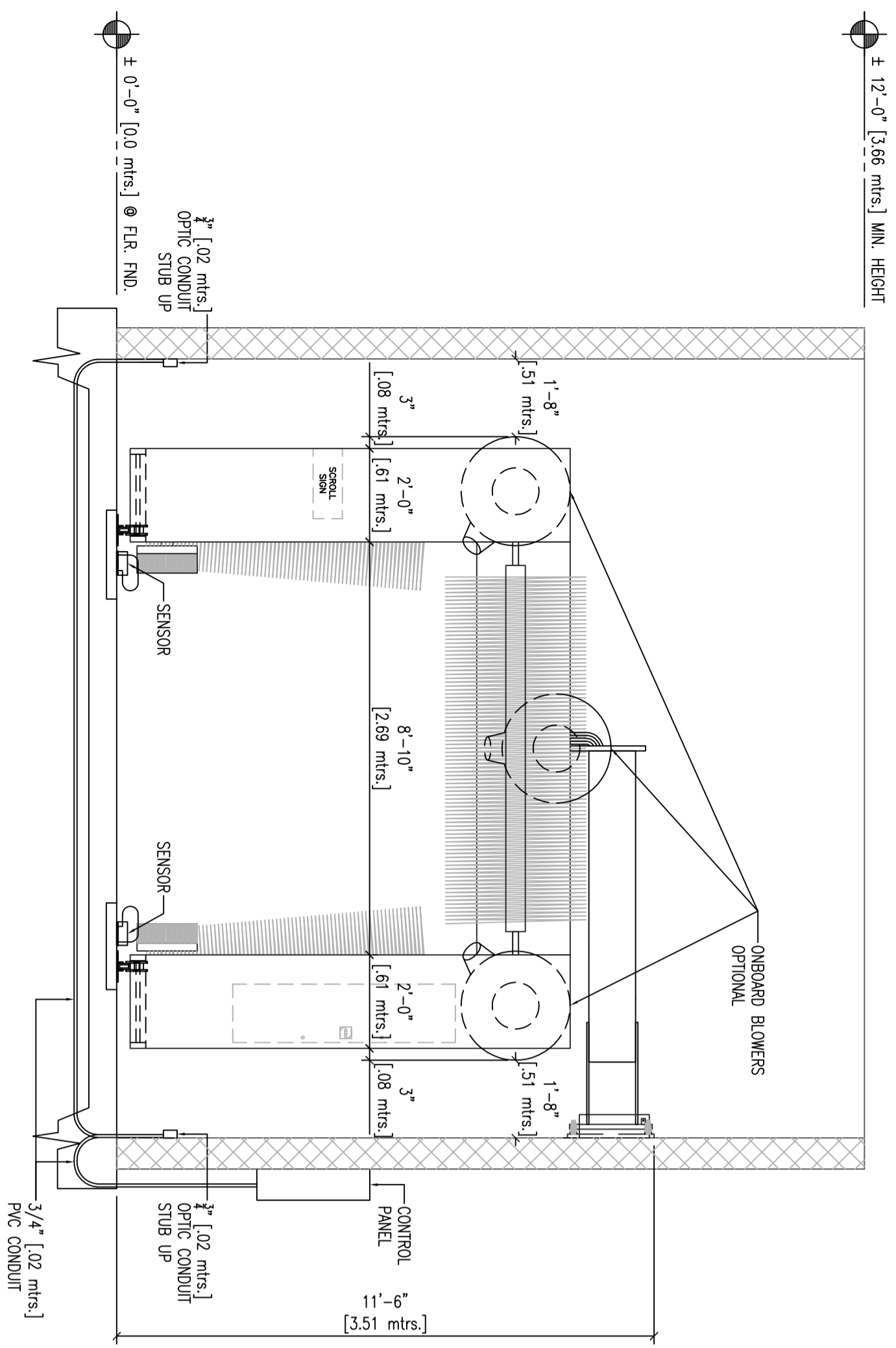
NOTE: PLEASE DO NOT SCALE DRAWING
CONTACT JCC FOR ANY DISCREPANCIES
1-800-999-9878.

World Class Manufacturing in Car Wash Equipment

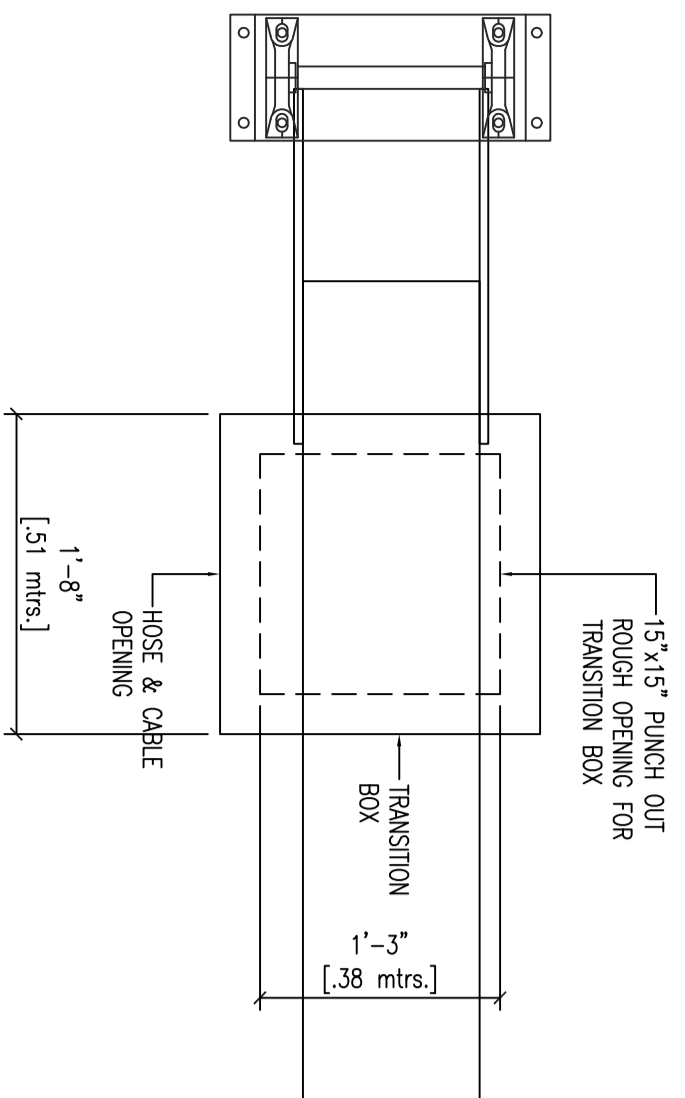
HOME OFFICE: 5842 WEST 34th STREET
HOUSTON, TEXAS 77062
PH: 1-800-999-9878 FAX: 713-663-6624
www.jccolmanco.com

OWNER: JIM COLEMAN COMPANY 5842 WEST 34th STREET HOUSTON, TX 77092		SHEET NAME: e-FUSION (MECHANICAL LAYOUT)	
SCALE: AS SHOWN	DATE: 01/16/2012	DRAWN BY: J.TREVINO	APPROVED BY: J.TRUELOVE / R.WITTE
DRAWING A.K.O.:	EQUIPMENT A.K.O.:	FILE NAME: T:\W-e-FUSION\ef-M1.0.dwg	
ENGINEER SEAL OR APPROVAL:			

SHEET:
ef-M1.0



1 E-FUSION (FRONT VIEW)
SCALE: 3/8" = 1'-0"

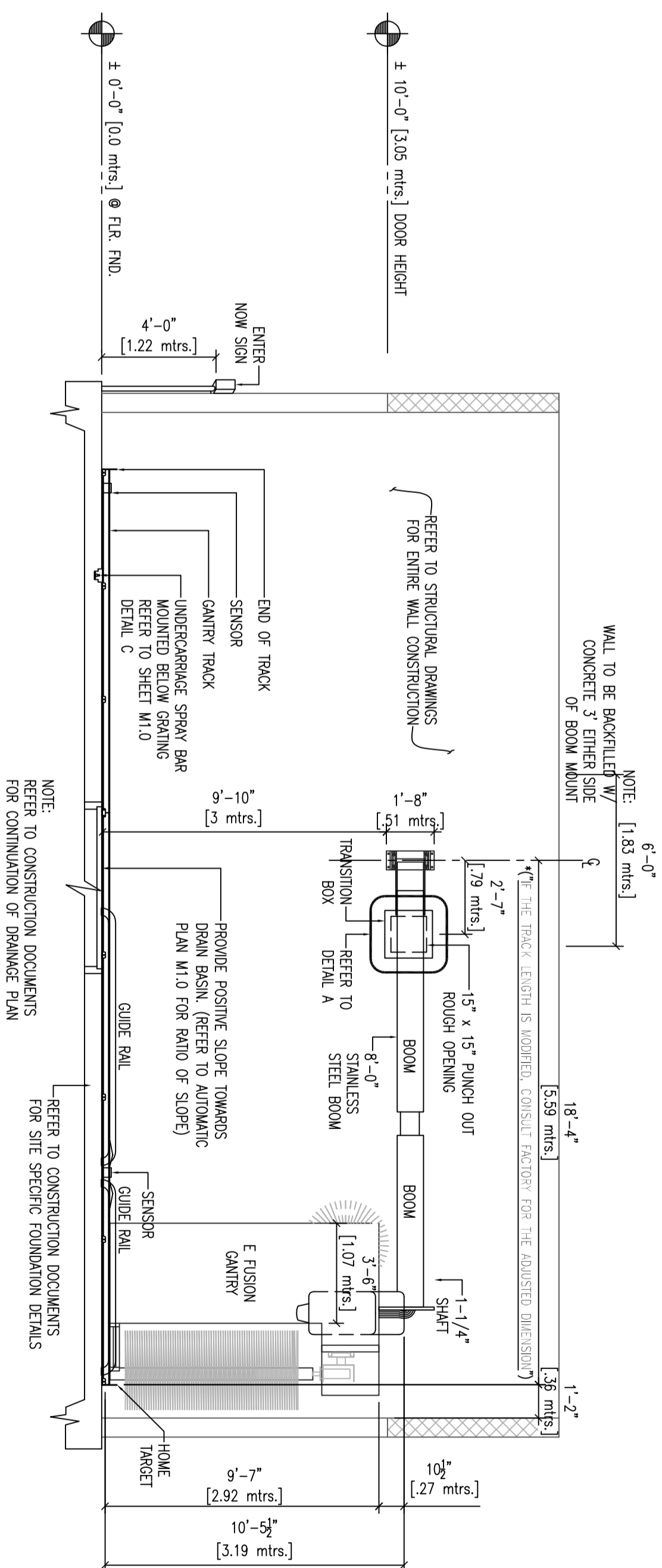


A E-FUSION (FRONT VIEW)
SCALE: 1" = 1'-0"

B NOT USED
SCALE: N.T.S.

C NOT USED
SCALE: N.T.S.

D NOT USED
SCALE: N.T.S.



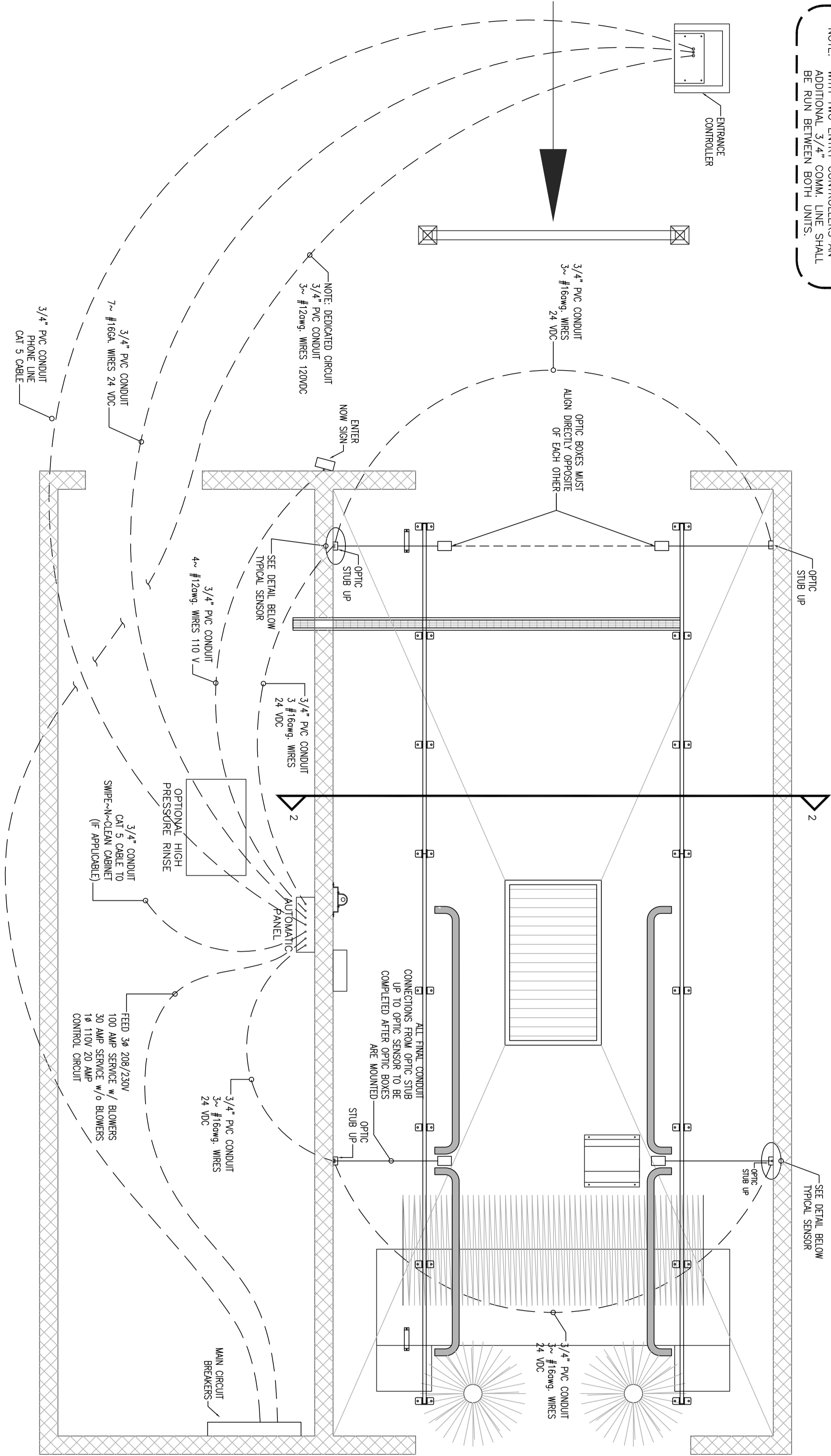
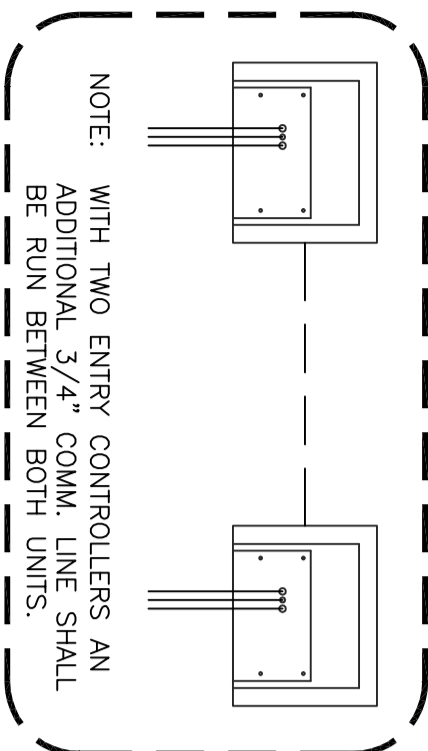
2 E-FUSION (SIDE VIEW)
SCALE: 1/4" = 1'-0"

NOTE:
ALL ELEVATION DIMENSIONS ARE FROM
BOTTOM OF GANTRY TRACK MOUNTING
FOOT.

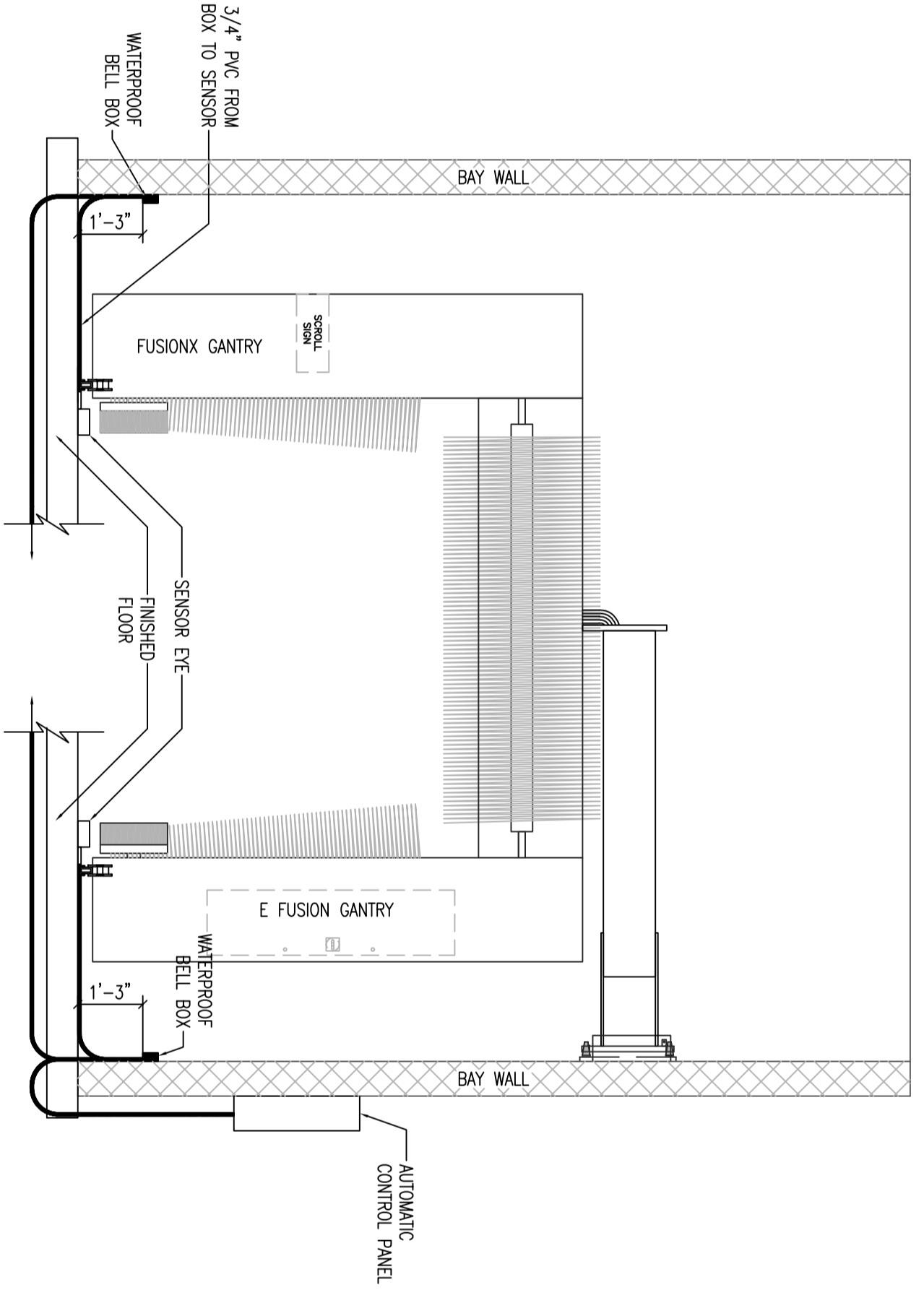
NOTE: PLEASE DO NOT SCALE DRAWING
CONTACT JCC FOR ANY DISCREPANCIES
1-800-999-9878.

OWNER: JIM COLEMAN COMPANY 5842 WEST 34th STREET HOUSTON, TX 77092			
SHEET NAME: e-FUSION ELEVATIONS & DETAILS			
SCALE: AS SHOWN	DATE: 01/16/2012	DRAWN BY: JTREVINO	APPROVED BY: J.TRUELOVE / R.WITTE
DRAWING A.K.O.:	EQUIPMENT A.K.O.:	FILE NAME: T:\W-e-FUSION\ef-M1.A.dwg	

ENGINEER SEAL OR APPROVAL:	
REVISIONS:	
SHEET:	ef-M1.A



1 eFUSION CONDUIT RUNS
SCALE: 3/8" = 1'-0"



2 eFUSION ELEVATION DETAILS
SCALE: 3/8" = 1'-0"

World Class Manufacturing in Car Wash Equipment

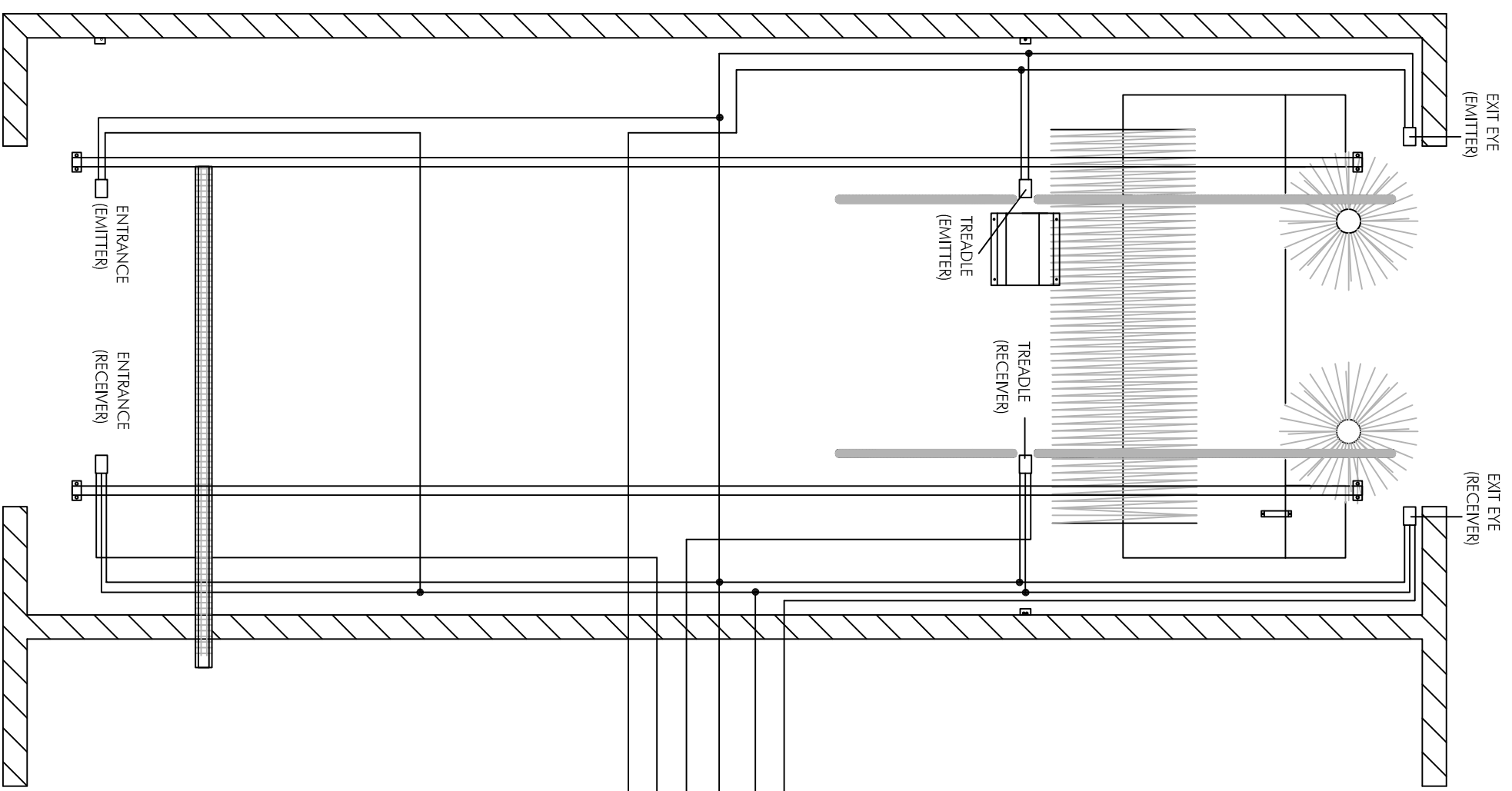
HOME OFFICE: 5842 WEST 34th STREET
HOUSTON, TEXAS 77062
PH: 1-800-999-9878 FAX: 713-563-8624
www.jcolmanco.com

OWNER: JIM COLEMAN COMPANY 5842 WEST 34th STREET HOUSTON, TX 77092			
SHEET NAME: e-FUSION e-FUSION ELECTRICAL CONDUIT RUNS AND ELEVATION DETAILS			
SCALE: AS SHOWN	DATE: 01/16/2012	DRAWN BY: JTRVINO	APPROVED BY: J.TRUELOVE / R.WITTE
DRAWING AKO:	EQUIPMENT AKO:	FILE NAME: T:\W-eFUSION\ef-M2.0.dwg	

REVISIONS			
ENGINEER SEAL OR APPROVAL:			

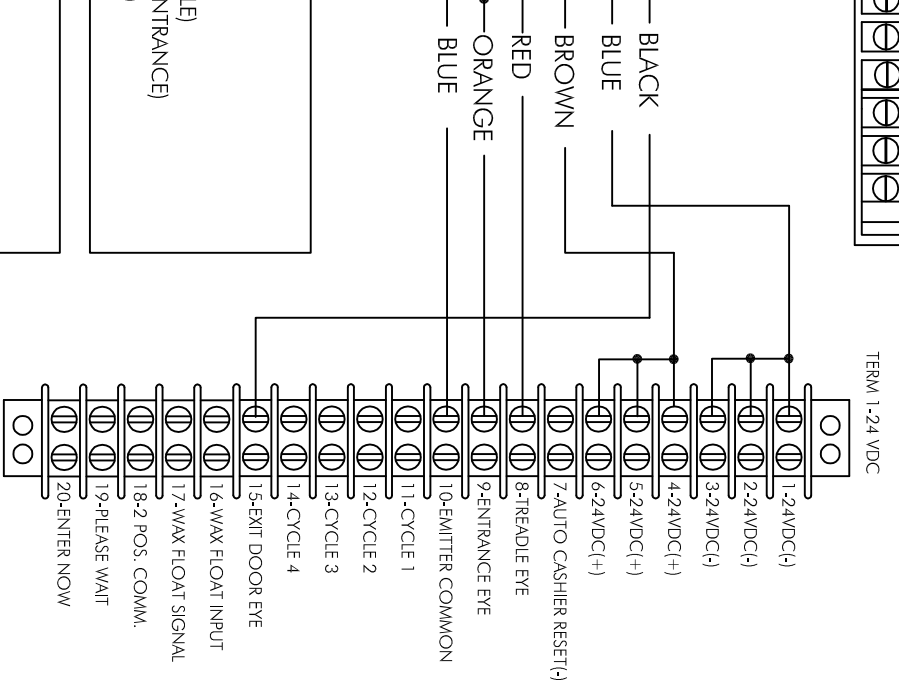
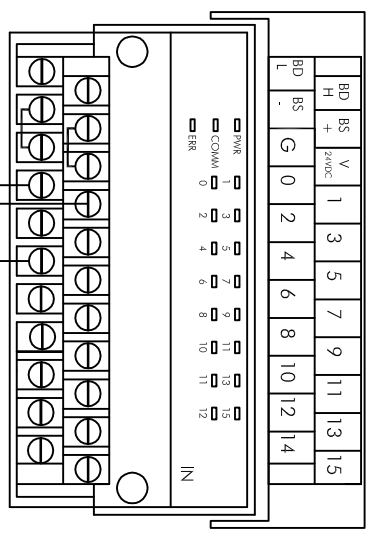
SHEET:
ef-M2.0

FUSION X / E FUSION EYE WIRING DIAGRAM



FUSION X / E FUSION
ELECTRICAL CONTROL PANEL

SRT2-ID16 (INPUTS) CHANNEL 2014

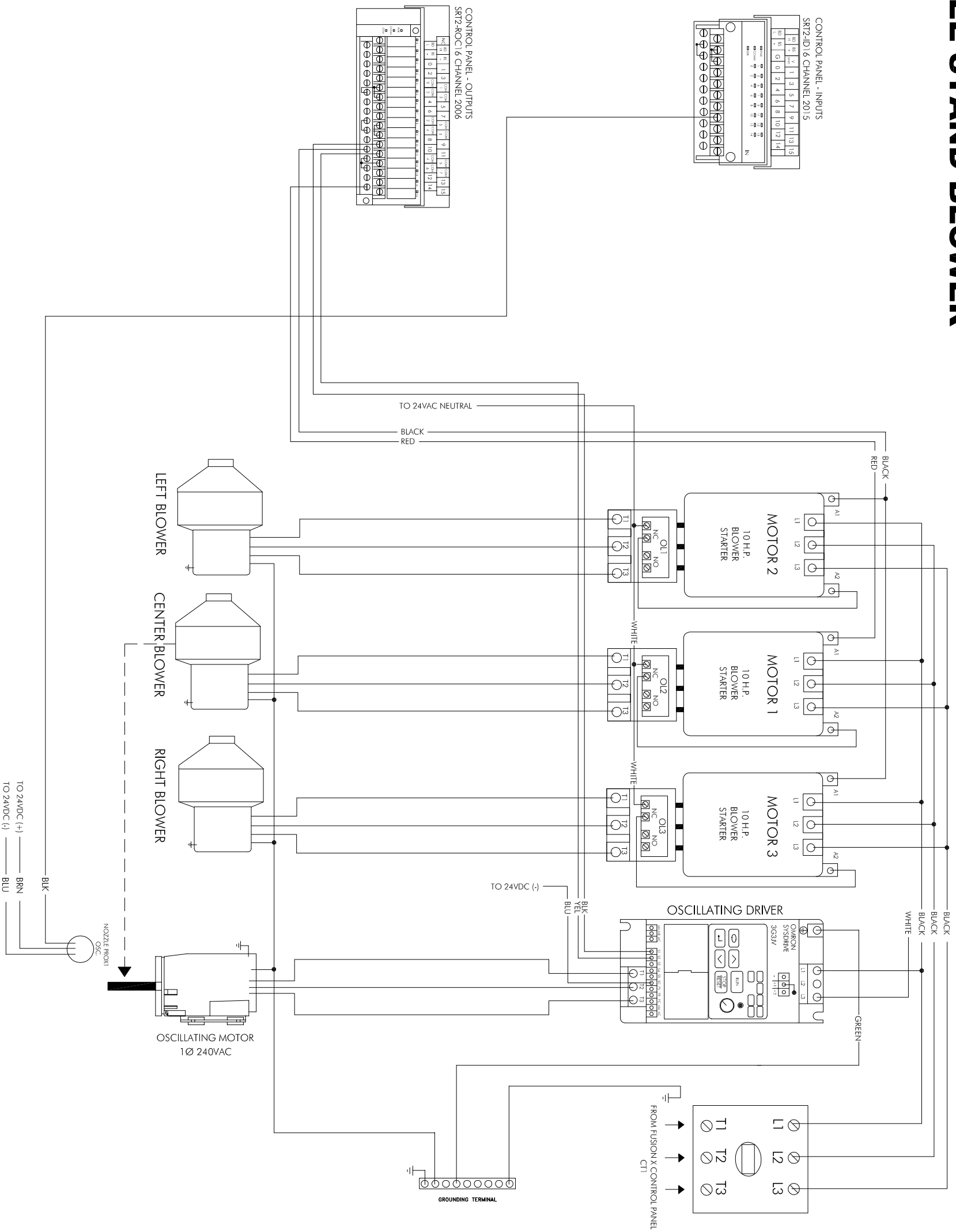


EYES RECEIVER
BLUE - BLUE
BROWN - BROWN
BLACK - RED (TREADLE)
BLACK - ORANGE (ENTRANCE)
BLACK - BLACK (EXIT)

EYES TRANSMIT
BLUE - BLUE
BROWN - BROWN

NOTE: CONNECT WHT/GRY/PINK
WIRES FROM EYE CABLE TO
BRN (24DC+)

FREE STAND BLOWER



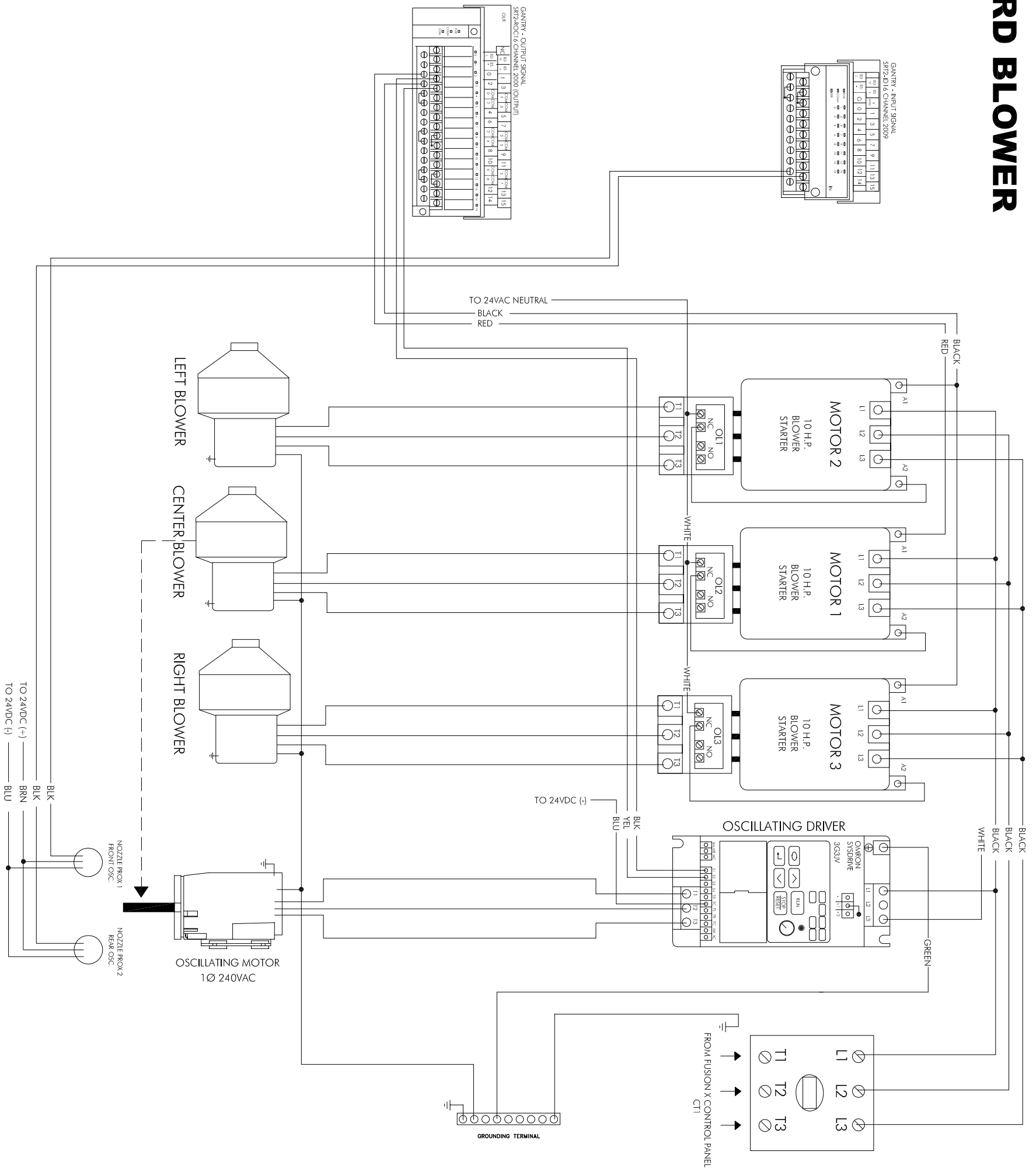
REVISIONS	OWNER: JIM COLEMAN COMPANY 5842 WEST 34TH STREET HOUSTON, TX 77092			
	SHEET NAME: 120/240 FREE STAND BLOWER SCHEMATIC			
	SCALE: AS SHOWN	DATE: 01/03/07	DRAWN BY: H.PHAM	APPROVED BY: J.TRUELOVE/R.COLEMAN/R.WITTE
	DRAWING AKO: N/A	EQUIPMENT AKO: N/A	FILE NAME: T:\BLOCKS\ELECTRICAL\FUSION\IGFXA	
ENGINEER SEAL OR APPROVAL:				
SHEET:				
FSB.A				

JIM COLEMAN COMPANY
HANNA

World Class Manufacturing In Car Wash Equipment

HOME OFFICE: 5842 WEST 34TH STREET
HOUSTON, TEXAS 77092
PH: 1-800-898-8078 FAX: 713-483-8624
www.jcolmanco.com

ON-BOARD BLOWER



REVISIONS	OWNER: JIM COLEMAN COMPANY 5842 WEST 34TH STREET HOUSTON, TX 77092	
	SHEET NAME: 120/240 ON-BOARD BLOWER SCHEMATIC	
	SCALE: AS SHOWN	DATE: 01/03/07
	DRAWING AKO: N/A	EQUIPMENT AKO: N/A
	DRAWN BY: H.PHAM	APPROVED BY: J.TRUELOVE/R.COLEMAN/R.WITTE
ENGINEER SEAL OR APPROVAL:	FILE NAME: T:\BLOCK\ELECTRICAL\FUSION\X\GPKA	

JIM COLEMAN COMPANY
HANNA

World Class Manufacturing In Car Wash Equipment

HOME OFFICE: 5842 WEST 34TH STREET
HOUSTON, TEXAS 77092
PH: 1-800-899-8878 FAX: 713-483-9824
www.jcolmanco.com

OBB.A

SHEET: