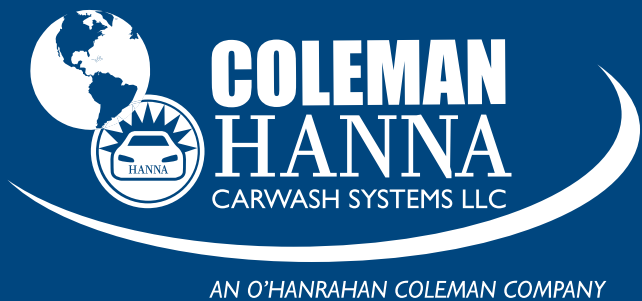


**WATER WIZARD™**  
**FASIRAK™**

# Installation Manual



# FasTrak Wall Mount and Rail Installation

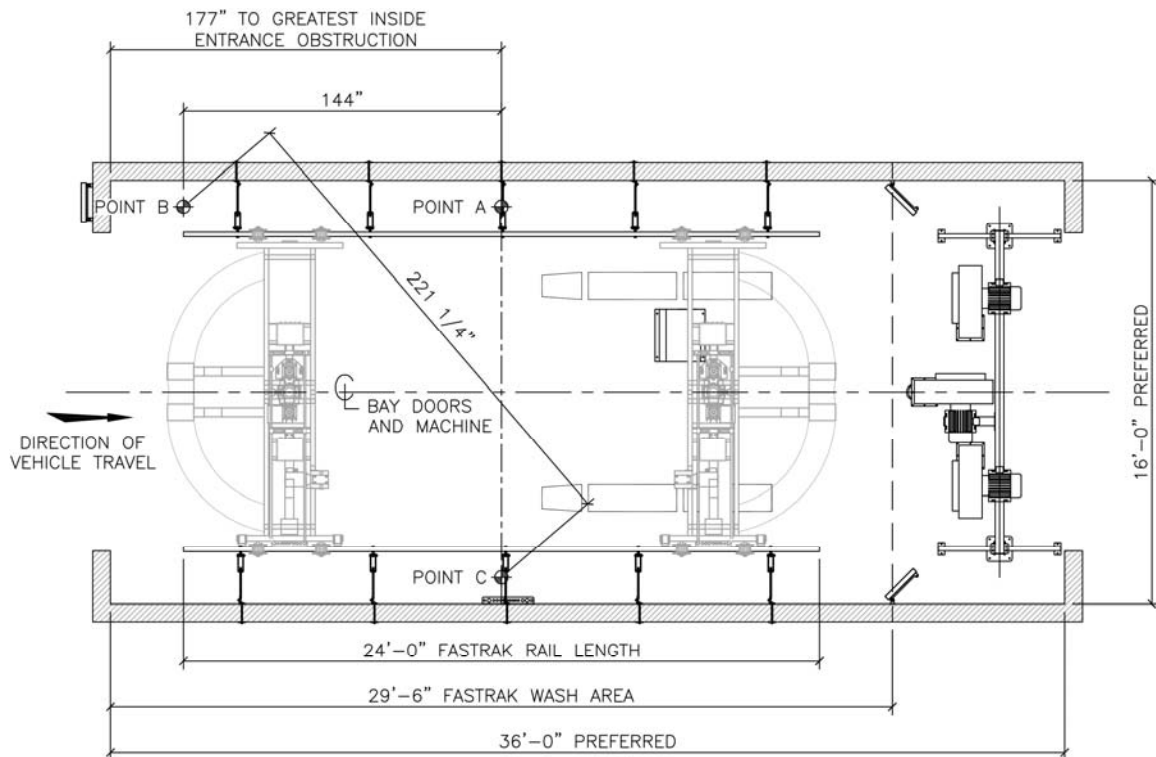
## Locating the Wall Mount Brackets

1. Measure, 168" for 24' rails from the greatest inside obstruction at the entrance. Mark this measurement on the floor near the sidewall, and label it POINT A (see Figure 1). These values represent the ideal location for the centerline of the rails.

**Note:** The minimum distance allowable is 149" for 24' rails, 161" for 26', or 173" for 28' rails from the nearest obstruction to the centerline of the rails.

**Note:** The nearest obstruction may not be an inside wall.

2. Measure from POINT A back toward the entrance 144" and make a second mark on the floor near the side wall, POINT B.
3. Using (2) measuring tapes, find an intersecting point measured at 168" from POINT A and 221 1/4" from POINT B and mark on floor, POINT C.
4. Snap a chalk line from POINT A to C.

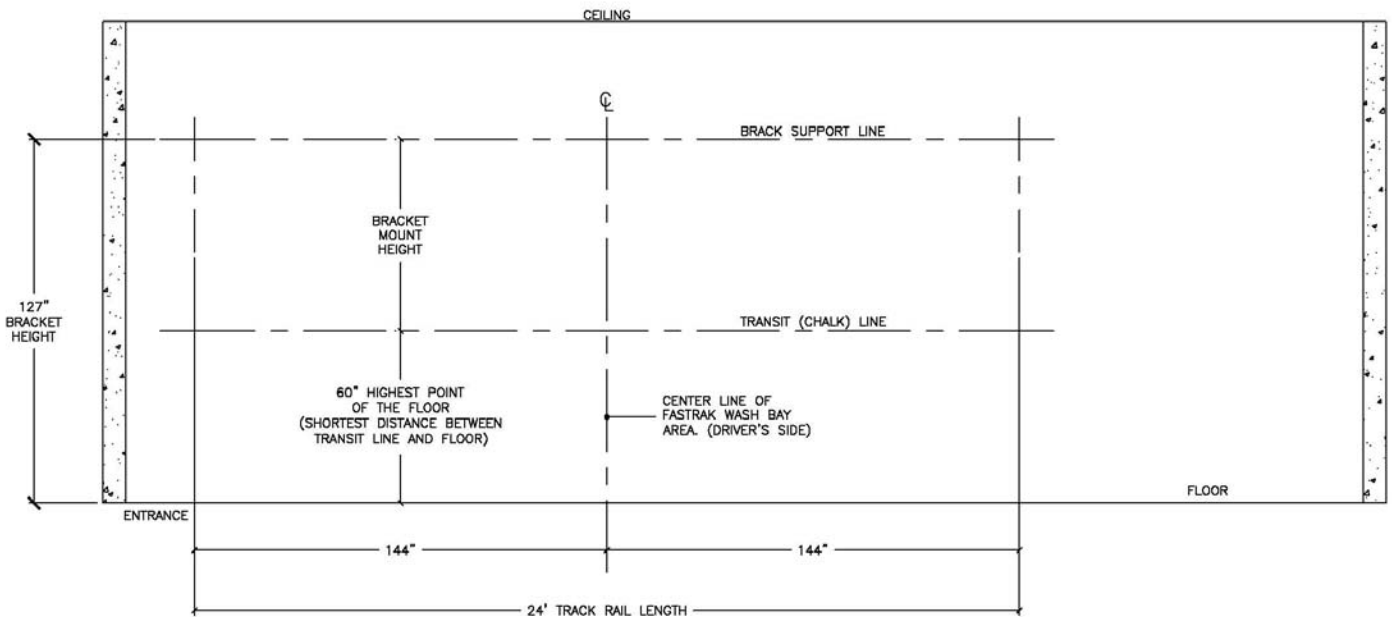


FasTrak Locating

**Figure 1 – Bay Layout**

**Note: For steps 5-11, refer to Figure 2.**

5. Carry the line from step 4 up both walls using a plumb bob or carpenters level so the line on the wall is PERPENDICULAR TO LINE A-C. This is the center line of rails. Using a transit, locate and mark (3) level points approximately 60" from the floor on both wash bay side walls (see Figure
  - Point 1 – at the center line of the rails
  - Point 2 – at 144" from the center line of the machine towards the entrance.
  - Point 3 – at 144" from the center line of the machine towards the exit.
6. Snap a tight chalk line across all 3 points on both side walls.

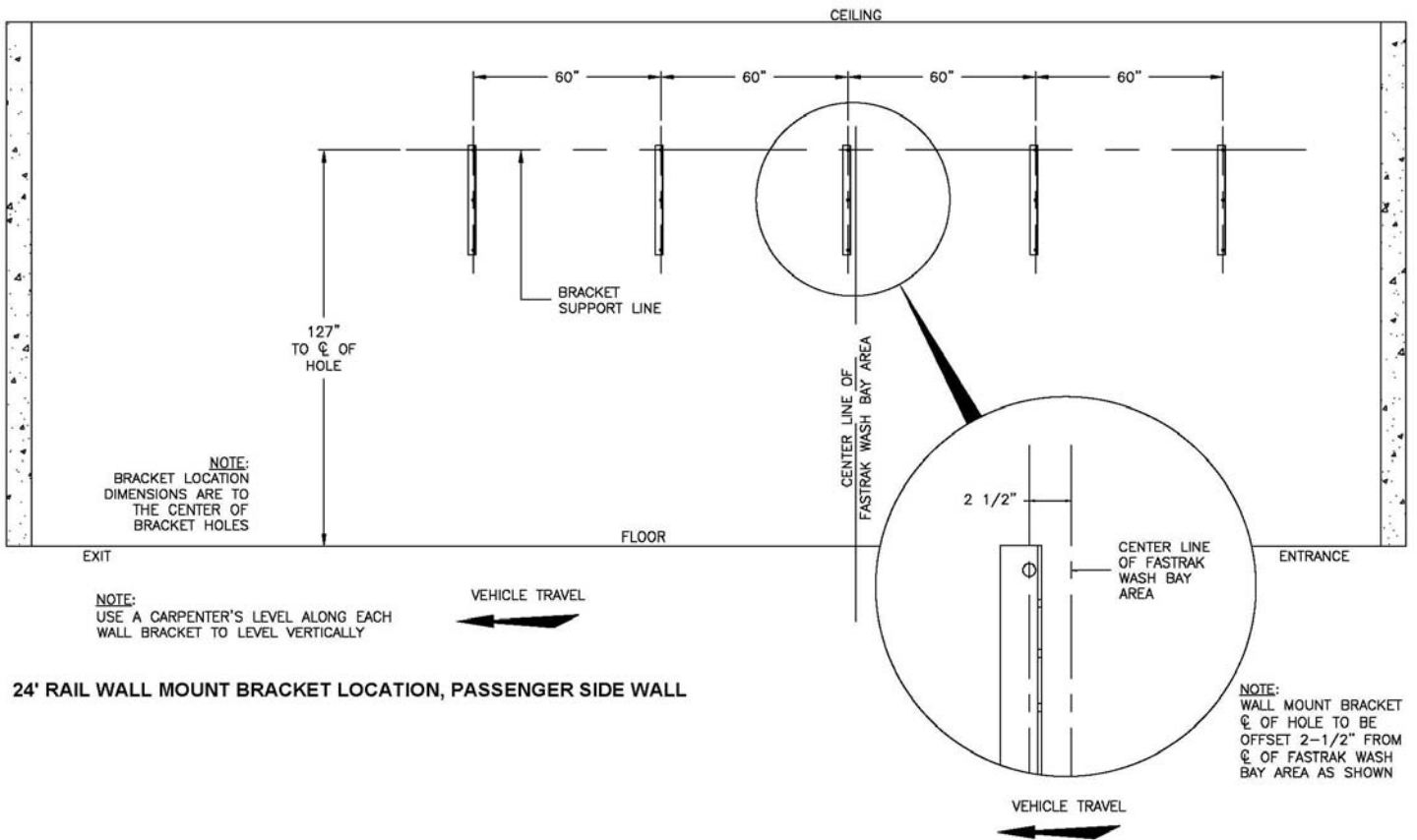


	24' STANDARD		
BRACKET HEIGHT (IN)	127		

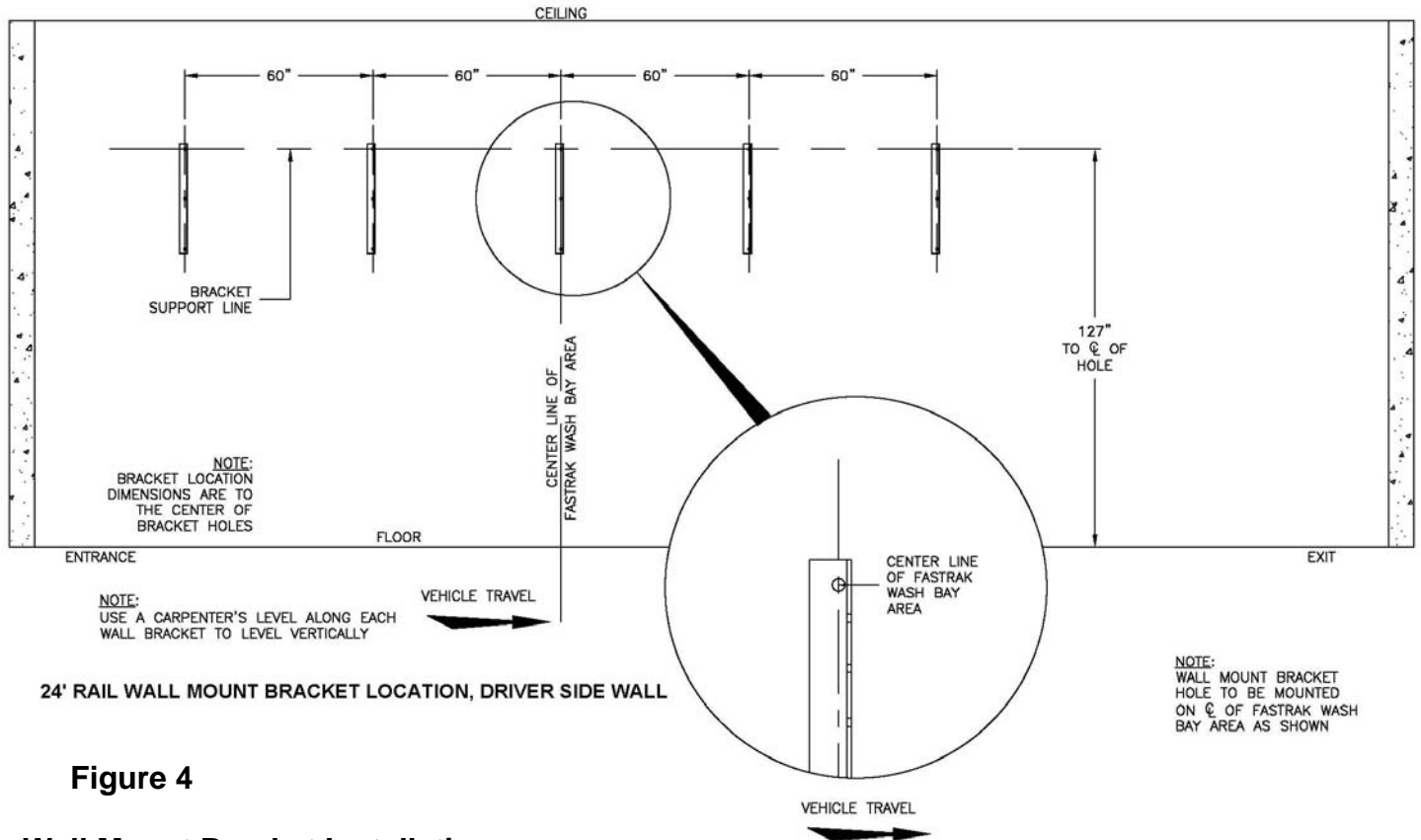
BRACKET MOUNT HEIGHT	—	BRACKET HEIGHT	—	HIGHEST POINT OF THE FLOOR SHORTEST DISTANCE BETWEEN TRANSIT LINE AND FLOOR
----------------------	---	----------------	---	---

7. Along each chalk line, measure from the chalk line to the floor, to find the highest point of the floor (the shortest distance between the chalk line and floor).
8. Subtract the highest point dimension found in step 7 from the wall bracket height.

9. Take the calculated number in Step 8 and locate (3) points at that height above the existing chalk lines on both walls.
  - Point 1 – at the center line of the rails
  - Point 2 – at 144" from the center line of the machine towards the entrance of the wash.
  - Point 3 – at 144" from the center line of the machine towards the exit of the wash.
10. Snap a tight chalk line between all 3 points on both walls. This is the Bracket Support Line shown in Figure 2.
11. Measuring off the center line of the rails, mark the dimensions for the top holes of the (4) mounting brackets on both walls along the mount bracket line (see Figures 3 and 4 for 24' and 26' rails).



**Figure 3**



**Figure 4**

### **Wall Mount Bracket Installation**

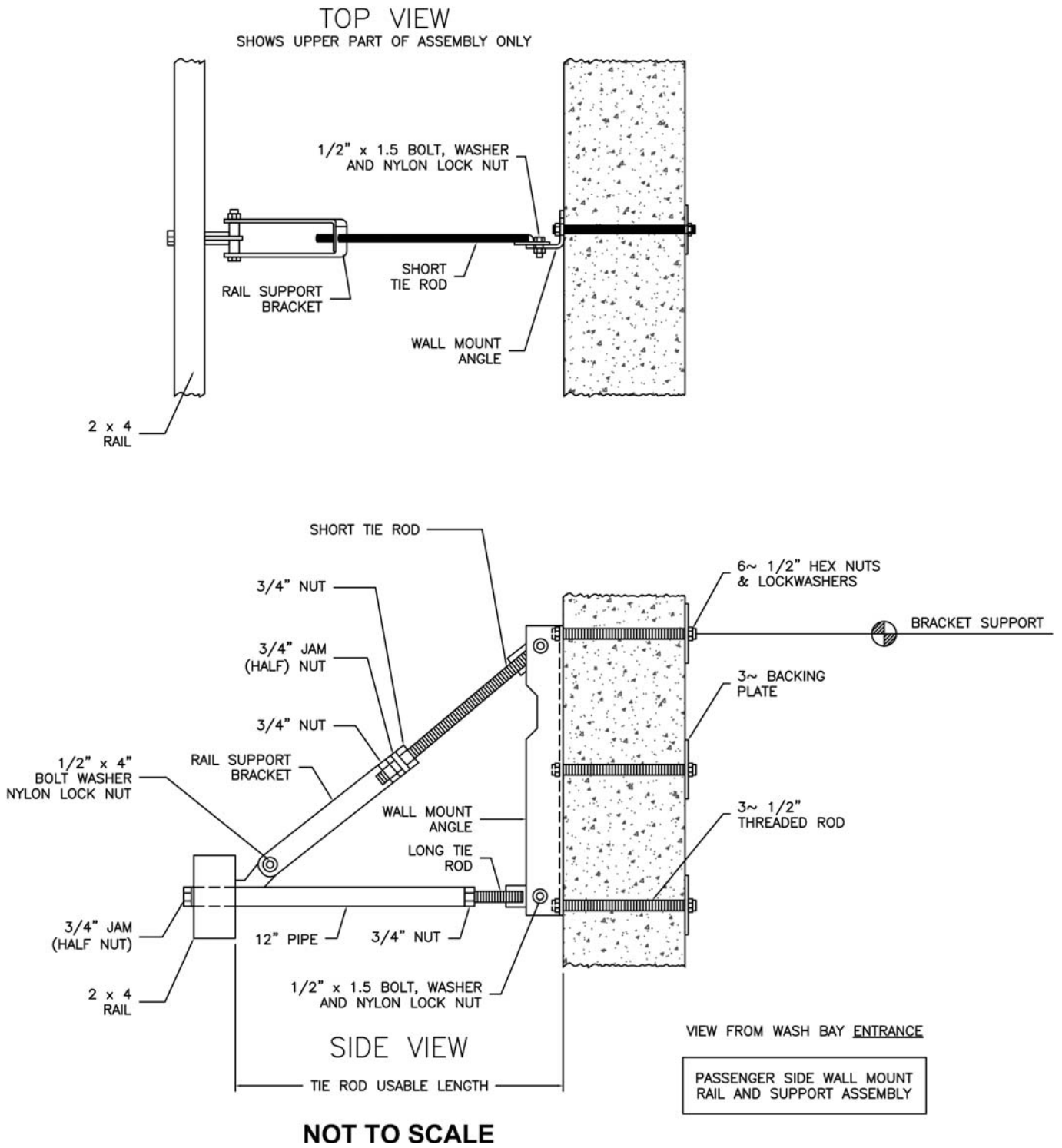
Fasten the rail support assemblies to the passenger and driver side walls, See Figures 5 and 6 for 24' and 26' rails.

**Note: Use a quality anti-seize lubricant on all bolts and threaded rods used on the rail support assemblies.**

1. At the top hole locations marked on both walls, drill a 5/8" hole through the wall. Insert a threaded rod into each of these holes. On the outside wall, place a backing plate and 1/2" nut and lock washer (3/4" nut and lock washer for docking) on each rod.
2. On the inside wall, hang the wall bracket on the threaded rod, with the notched end up and place a 1/2" nut on the rod. Secure loosely, leaving any excess rod on the outside of the wall. Check each bracket with a level so the bracket is perpendicular to the floor.
3. Using the wall bracket as a template, mark the remaining two holes in each bracket and drill the remaining 5/8" holes through the wall.

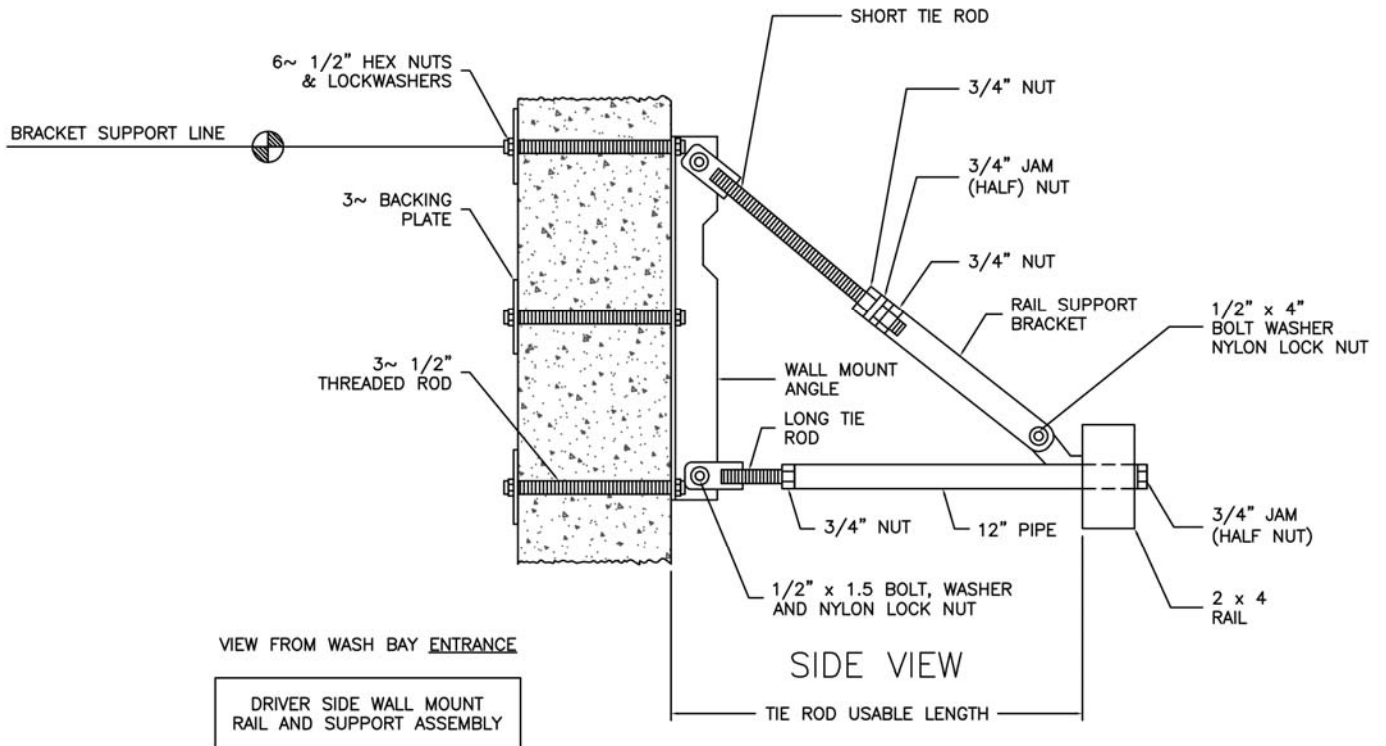
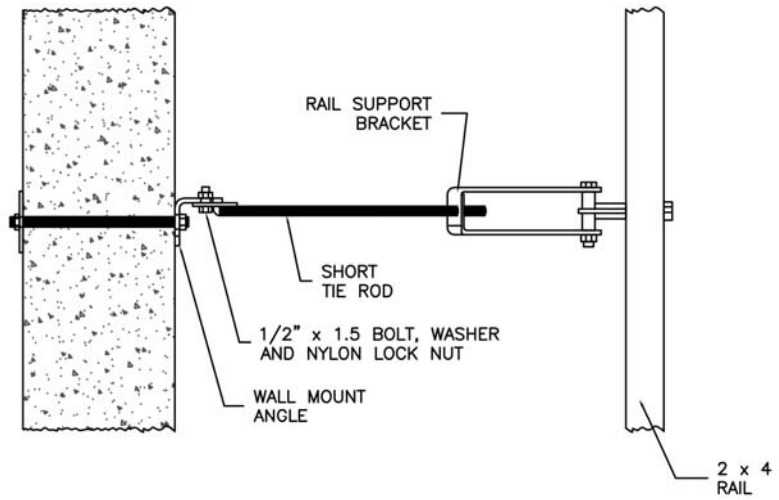
**Note: Locate each wall bracket so that the notch is located toward the top of the bracket.**

4. Insert the remaining threaded rods into each of the holes and fasten as in steps 1 and 2 above.



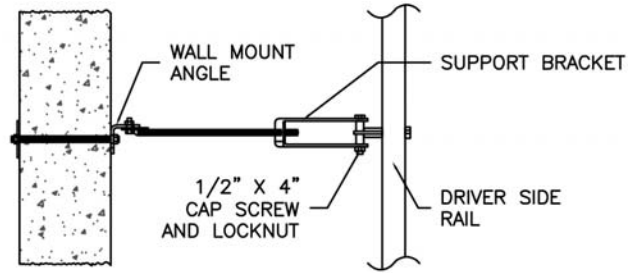
**Figure 5**

TOP VIEW  
SHOWS UPPER PART OF ASSEMBLY ONLY

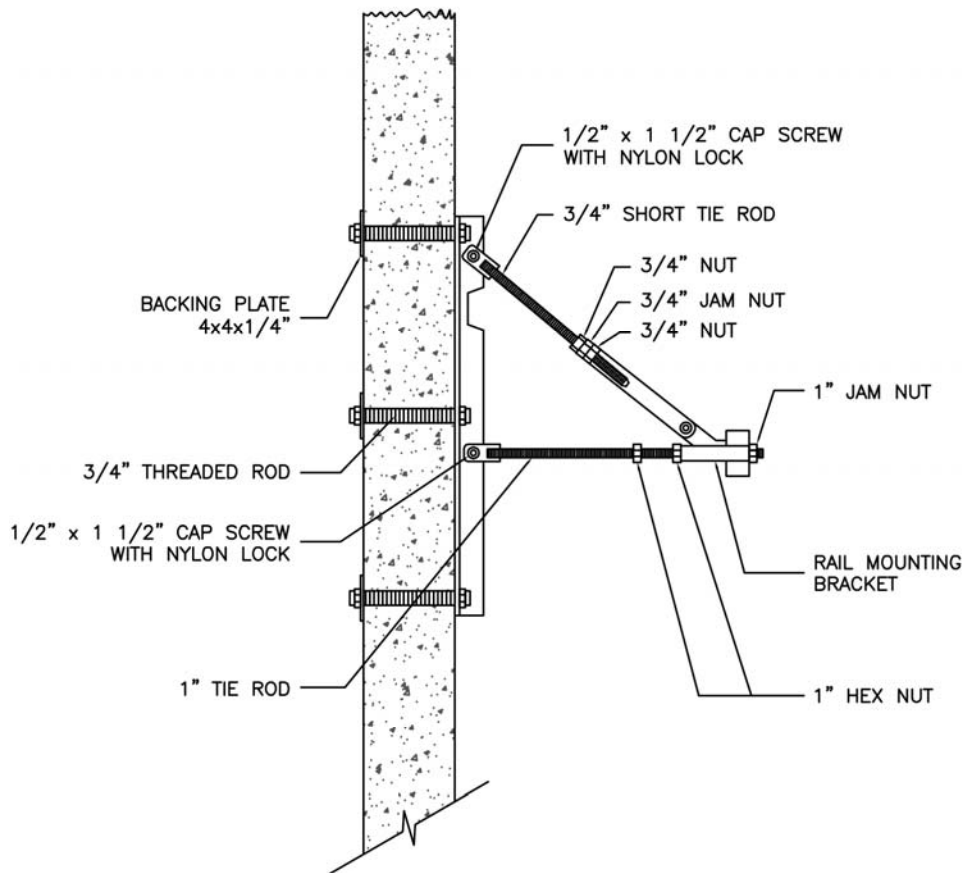


NOT TO SCALE

Figure 6



TOP VIEW

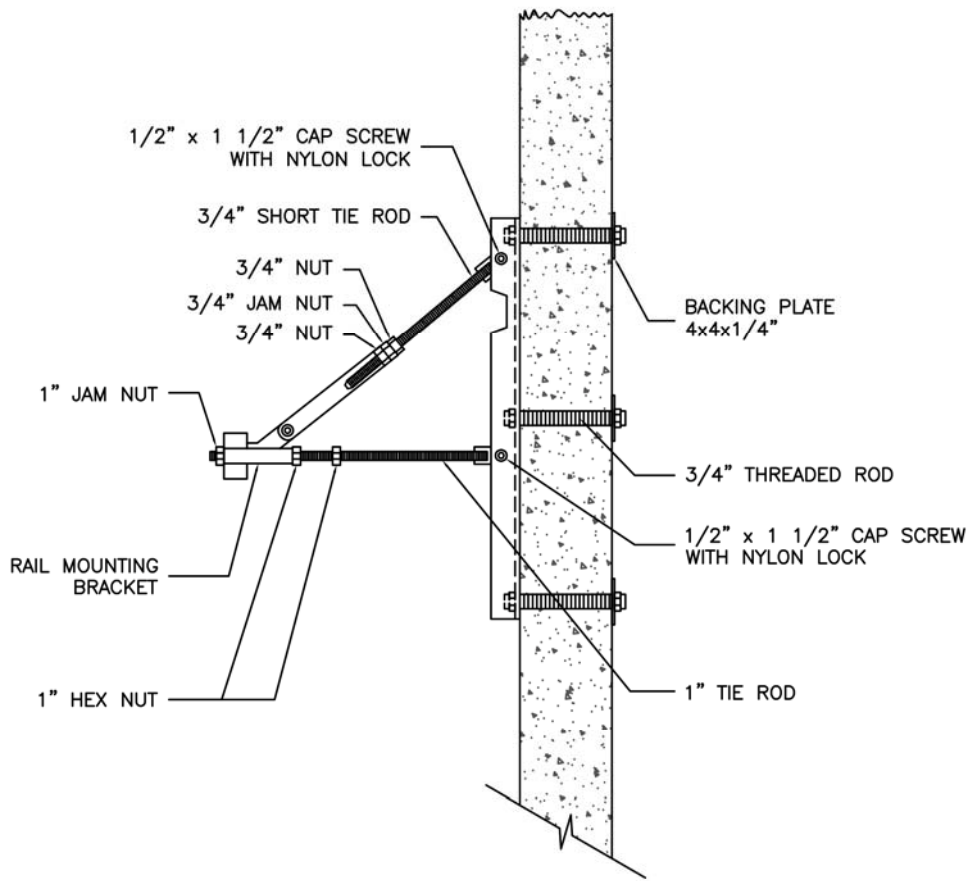
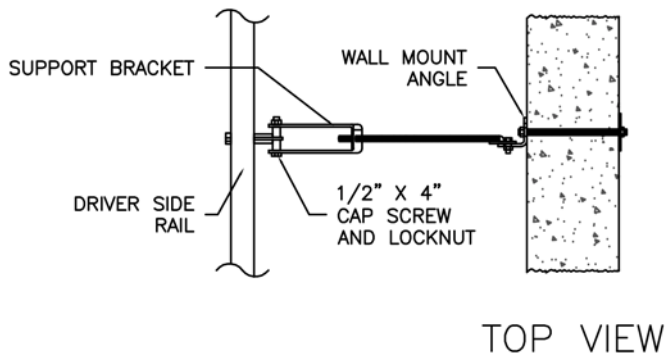


VIEW FROM ENTRANCE OF WASH BAY  
DRIVER SIDE WALL MOUNT ASSEMBLY

DOCKING WALL MOUNT ASSEMBLY  
DRIVER SIDE

Figure 7





DOCKING WALL MOUNT ASSEMBLY  
PASSENGER SIDE

Figure 8

## Installing the Rail Supports

### Upper Rail Support (see Figures 10 -11)

1. Assemble a short tie rod, a rail support bracket, (2)  $\frac{3}{4}$ " nuts,  $\frac{3}{4}$ " jam (half) nut (1" nuts for the 28' docking rails) (see Figure 10 & 11). Tie rod must be positioned at inside of bracket angle.
2. Repeat Step 1 for all short tie rods and rail support brackets, 8 total (12 for Docking Dryer)
3. Assemble the rail bracket to the rail support bracket using  $\frac{1}{2}$ " x 4" bolt, washer and lock nut.
4. Attach the short tie rod assembly at the upper hole of the wall bracket (see Figure 10 & 11). Place a  $\frac{1}{2}$ " x 1.5" bolt through the hole and fasten with a  $\frac{1}{2}$ " nylon lock nut and washer. Repeat for all wall brackets.

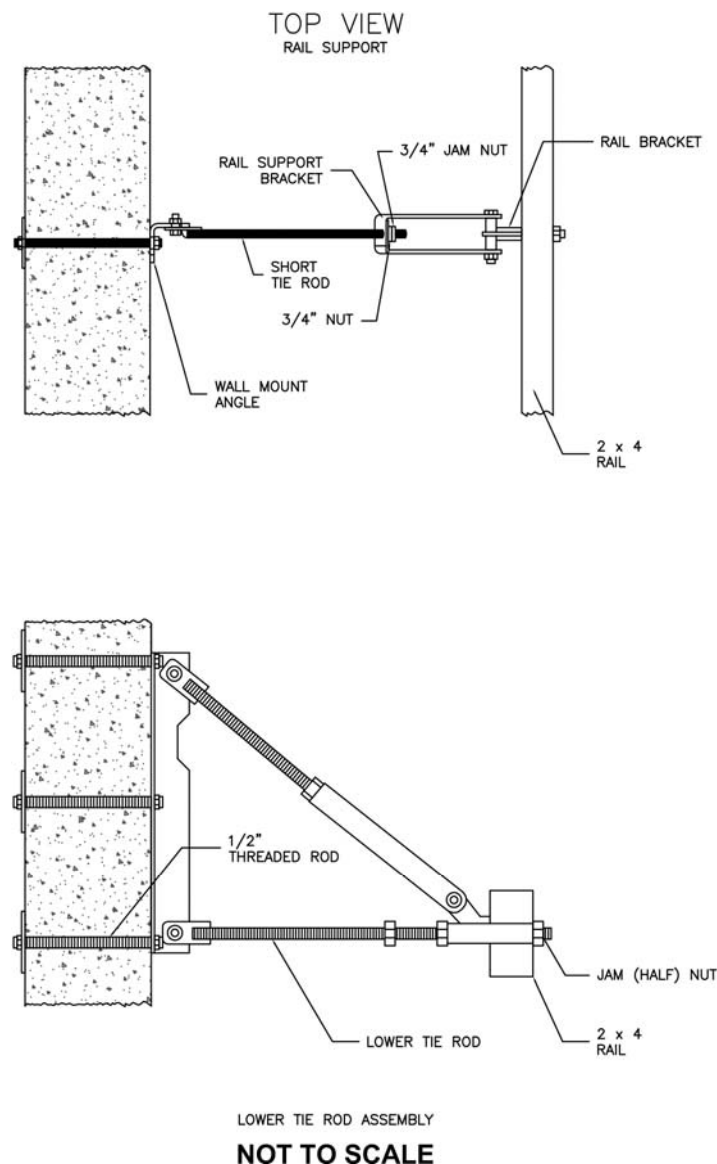


Figure 10-11

## Lower Rail Support and Rail Installation

**Note: The driver side does not require B-line mounting bracketry.**

1. Thread (2)  $\frac{3}{4}$ " nuts on each driver side lower tie rod.
2. On each of the passenger side lower tie rods, thread on a  $\frac{3}{4}$ " or 1" nut.
3. Slide a B-line mount bracket (06100046) onto the tie rod (see Figure 12).
4. Thread a second  $\frac{3}{4}$ " or 1" nut onto the lower tie rod so the B-line mount bracket is between the two nuts (see Figure 12).
5. Locate the lower tie rod assembly at the lower hole of the wall bracket and fasten with  $\frac{1}{2}$ " x 1.5" bolt, washer, and nylon lock nut.
6. Calculate the useable length of the lower tie rod by measuring the width of the wash bay. Then follow this equation:
  - a. Lower TIE ROD USABLE LENGTH = BAY WIDTH (in inches) – 156" (outside of rail mount bracket to outside of rail mount bracket) DIVIDED BY 2.
    - i. EXAMPLE: 180" by width – 156" = 24" divided by 2 = 12.

**Note: Note the calculated result to assist during rail installation.**

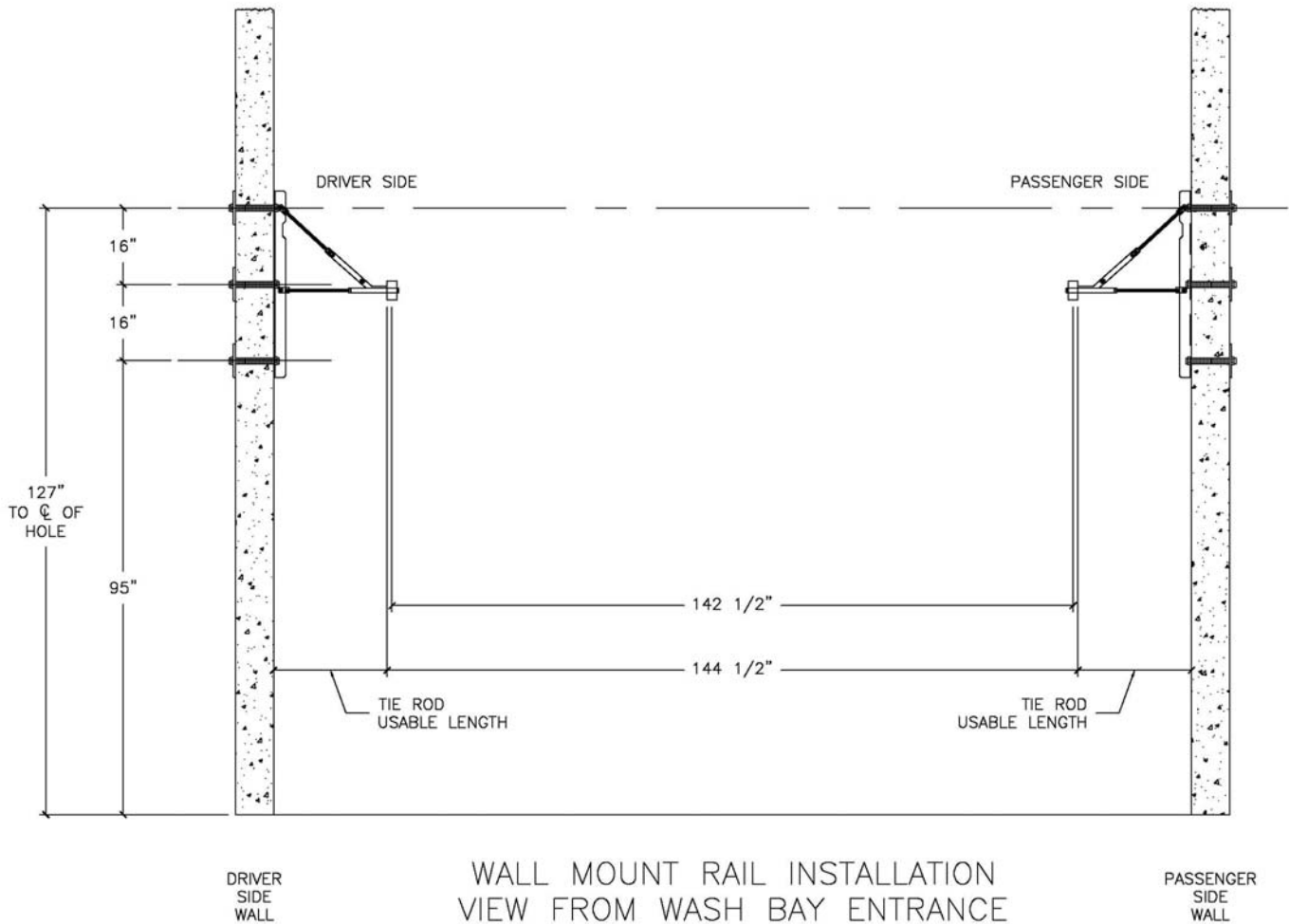
7. Pivot the upper and lower assemblies so the lower tie rod will slide into the rail bracket.
8. Slide the rail onto the lower rod. Fasten with  $\frac{3}{4}$ " jam (half) nut. Repeat on both sides of wash bay

**Note: There will be extra tie rod protruding from the rail. DO NOT cut the extra tie rod at this point.**

## Leveling the Rails

**Note: When the rails are parallel with each other, begin leveling the rails.**

1. Measure diagonally across the corners of each rail to check the squareness of the two rails. Make adjustments to the  $\frac{3}{4}$ " nuts and jam (half) nut (1" for 28' docking rails) on the lower tie rod if necessary.
2. Measure the distance between the rails at all tie rod locations ensuring they are all 145  $\frac{11}{16}$ " (3700mm) apart (see Figure 12). Make adjustments to the proper nuts and jam (half) nut on the lower tie rod if necessary (see Figure 12).
3. Working from the entrance to the exit and from driver side to the passenger side, use a 6' carpenters level, transit or water level and level the rails. Adjust the  $\frac{3}{4}$ " nuts and jam (half) nut on the upper tie rod if necessary.
4. Once the rails are properly spaced, squared, and leveled, trim the excess lower tie rod.
5. Utilize thread-lock or tack-weld the jam nut to the trimmed edge of each lower tie rod to prevent loosening.

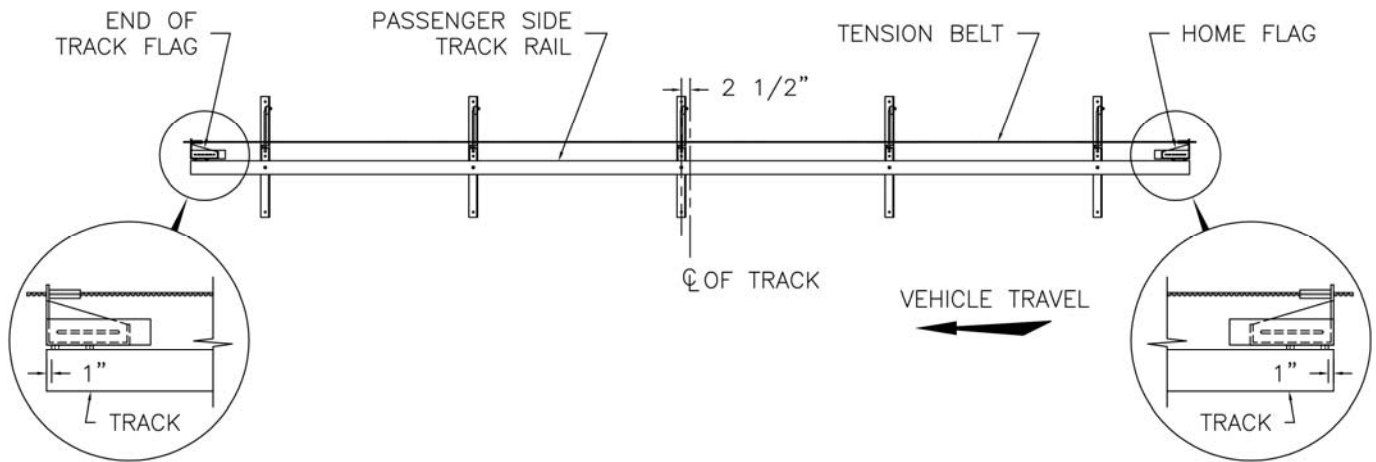


**Figure 12**

**Prox Flag and Wheel Stop Installation**

1. Find: (3) Flags, flag blocks, and (2) tire stops.
2. Fasten flags and blocks to rails using 3/8" x 1.5" bolts and washers (see Figure 13)

**Note: Middle flag must face down. The Forward and Reverse flag must be pointing up.**

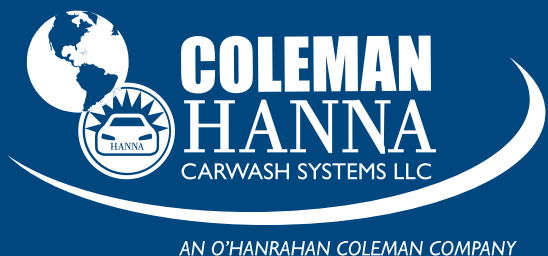


**Figure 13**

3. Fasten one wheel stop to each end of rail using (2) 3/8" x 1.5" bolts and washers, placing the (06390012) spacer between the wheel stop and the rail (see Figure 13 ).



# FasTrak Installation Manual



5842 W 34th St • Houston, TX 77092  
1.800.999.9878 • 1.713.683.9878

[www.colemanhanna.com](http://www.colemanhanna.com)



Find us on Facebook:  
[/ColemanHannaCarwash](https://www.facebook.com/ColemanHannaCarwash)